



“The Grand Rabbet”

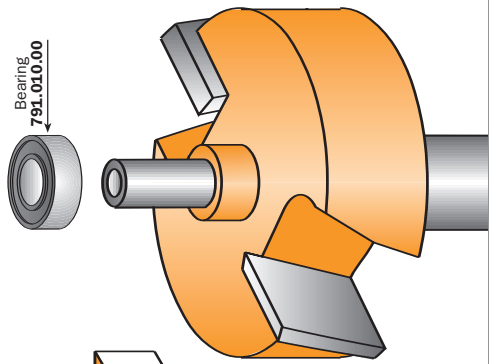
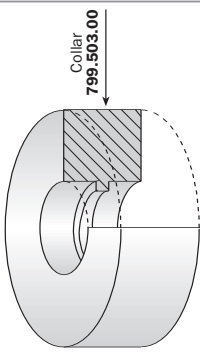
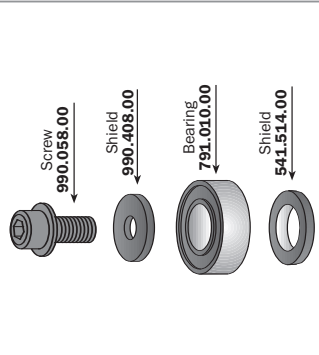
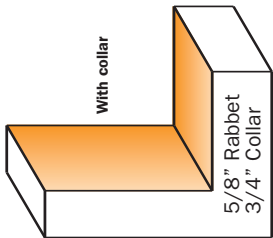
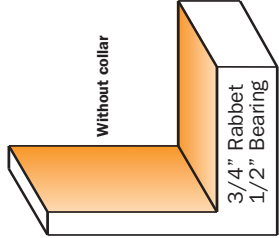
Your choice of “The Grand Rabbet” by CMT is an investment that shows your commitment to quality. This CMT product will deliver years of reliable service under normal use. For safe and trouble-free results please observe the following instructions and safety precautions.

The complete kit (item code [8/935.503.11](#)), will enable you to produce 17 different rabbet sizes including rabbets for under-size plywood applications. In case you are interested into a smaller production range, you can purchase the rabbeting bit only, (item [8/935.990.11](#)) and eventually combine it with one or two of the other 5 collar kits depending on your needs.

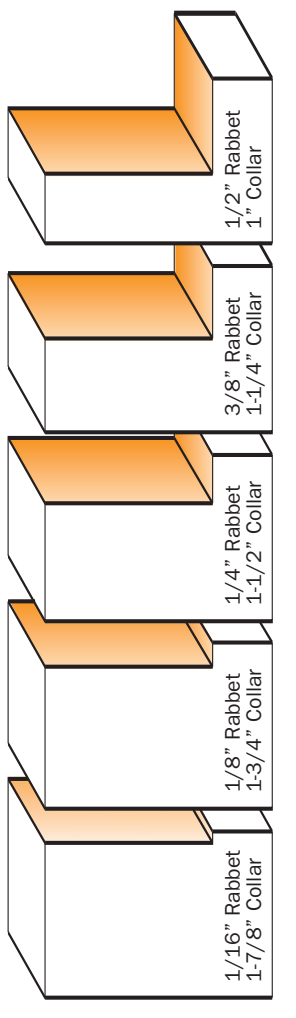
The rabbeting bit alone will enable you to produce both 3/4“ and 5/8“ rabbets; when used with one of the 5 collar kits you will be able to achieve 7 different kind of rabbets.

For rabbet sizes over 1/2“, make the cuts in several shallow passes until the desired depth is achieved. To increase the life of the cutter you may want to remove the majority of your larger rabbets with our #230.024.08 Precision Dado Set.

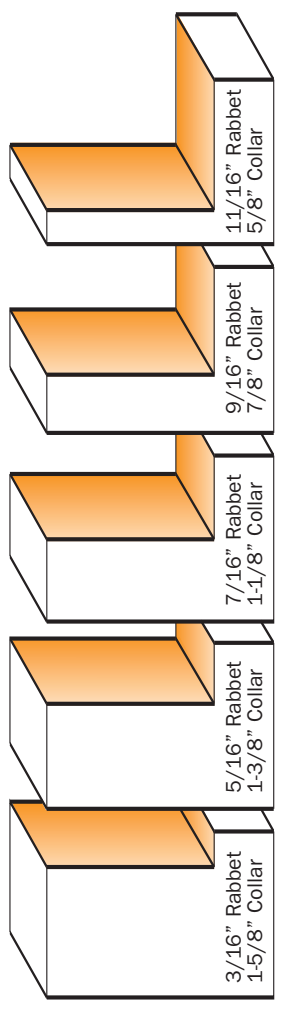
Item 835.990.11 (12, 7 mm shank)
935.990.11 (12 mm shank)



Item 791.705.00 (kit of 5 collar)



Item 791.706.00 (kit of 5 collar)



Item 791.707.00 (kit of 5 collar)

