

GB Assembly Instructions

NL Montage instructies

PL Instrukcja montażu

FR Instructions de montage

RU Инструкции по сборке

DE Aufbauanleitung

HU Összeszerelési utasítások

IT Istruzione assemblaggio

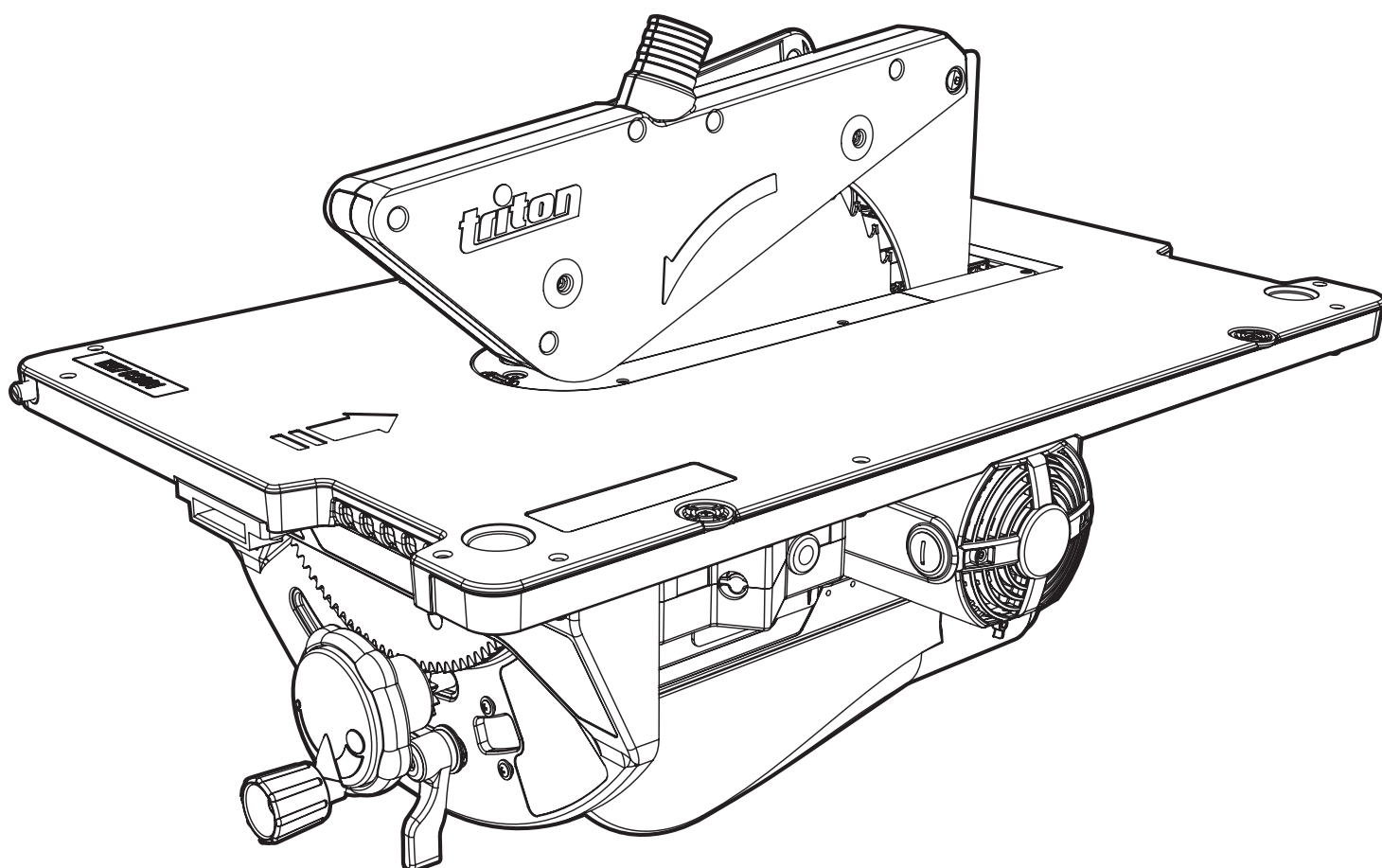
CZ Pokyny k sestavení

ES Instrucciones de montaje

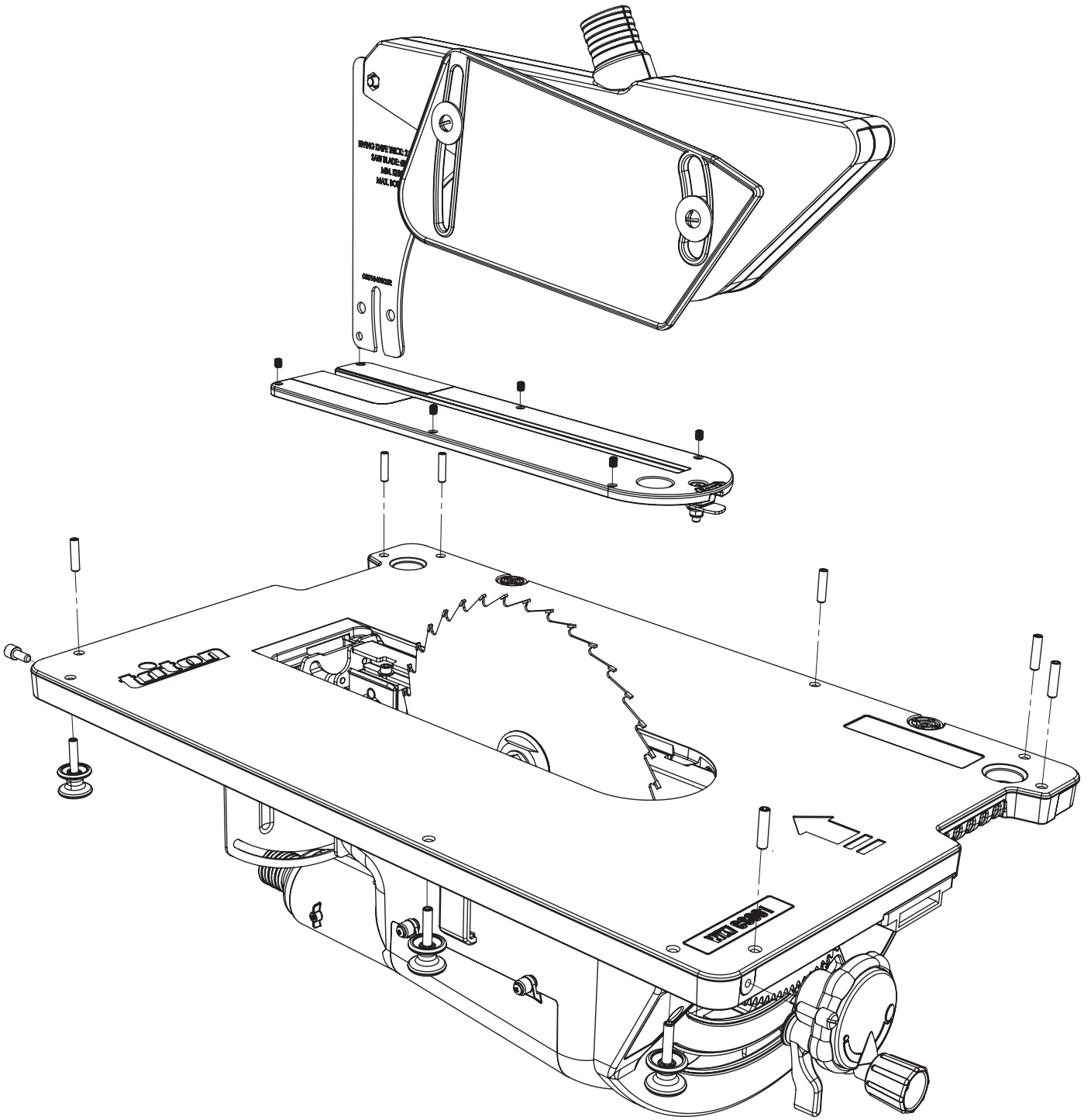
SK Pokyny na zostavenie

PT Instruções de montagem

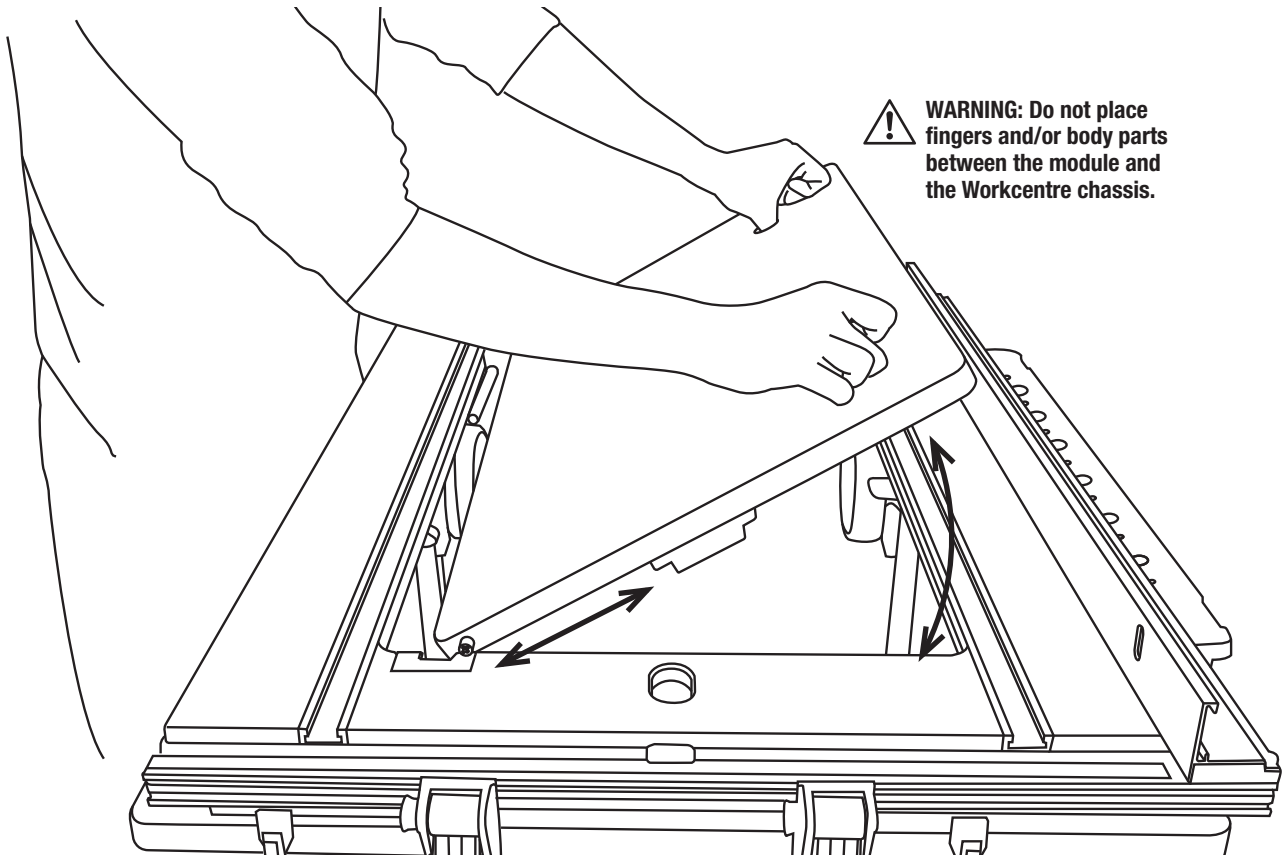
TR Montaj Talimatları



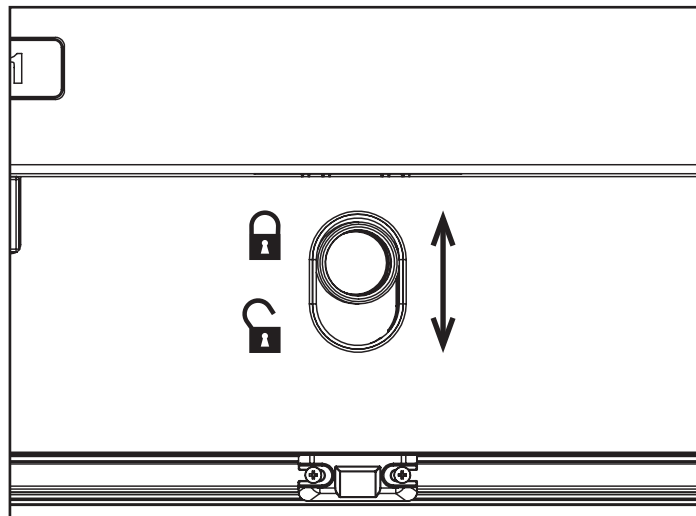
(A)



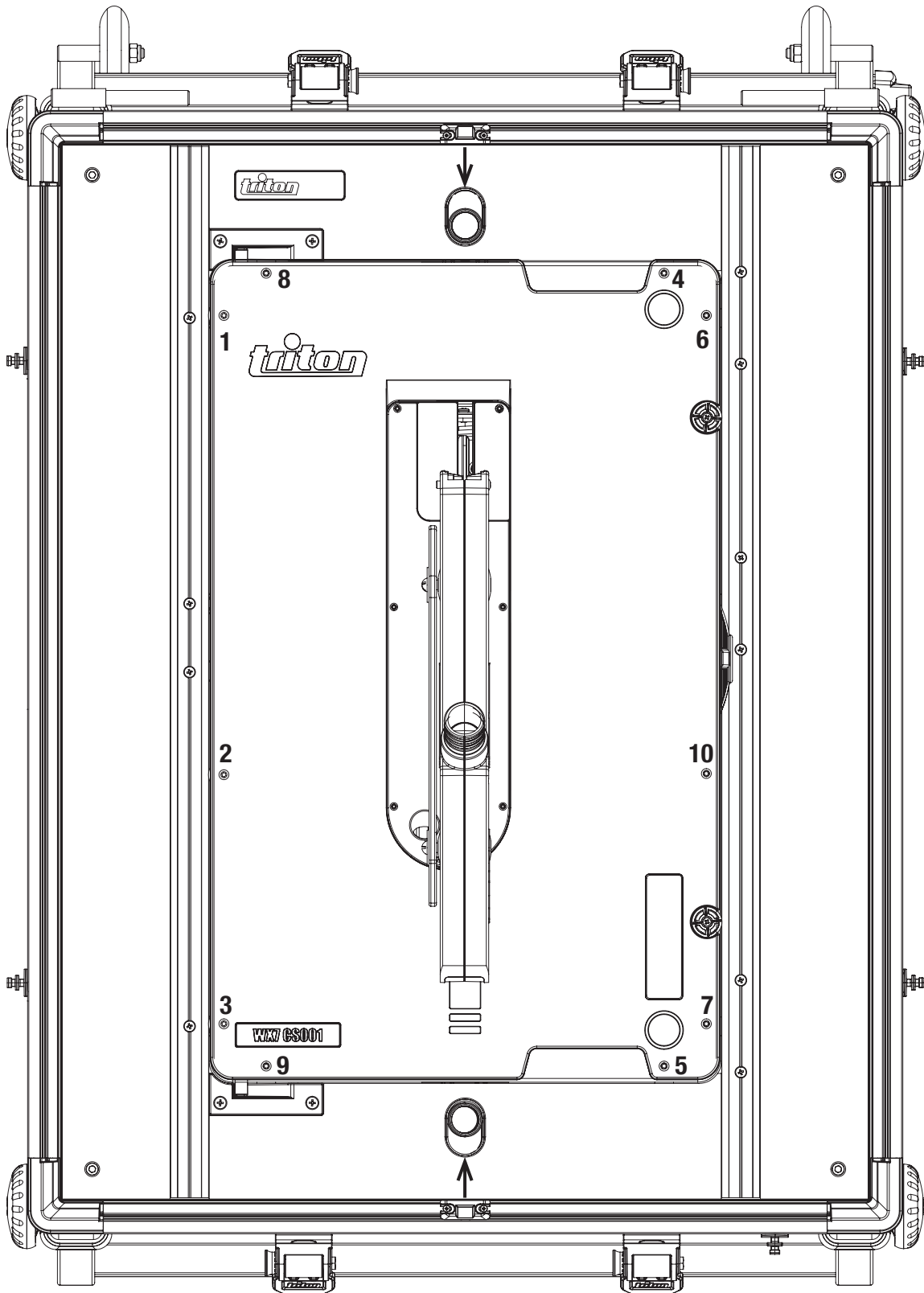
(B)



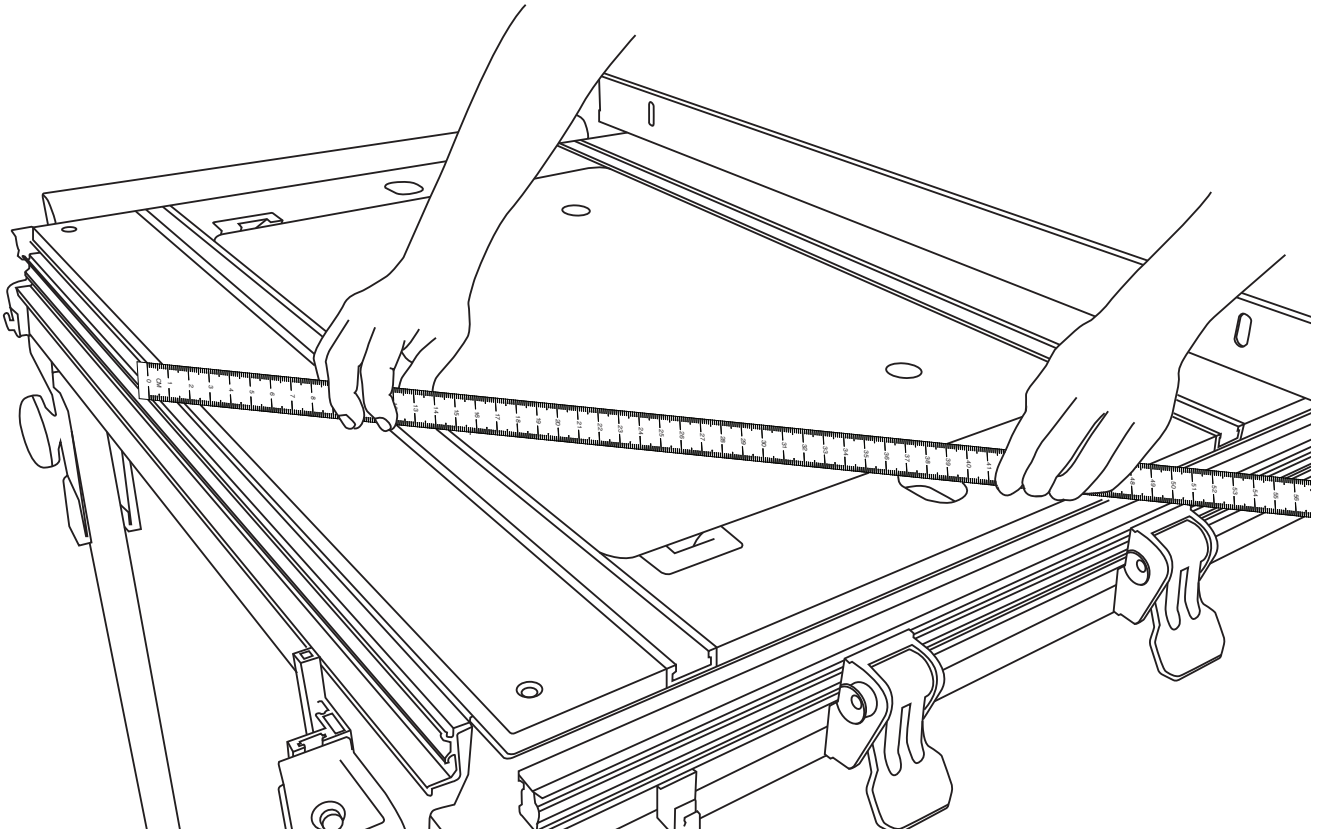
(C)



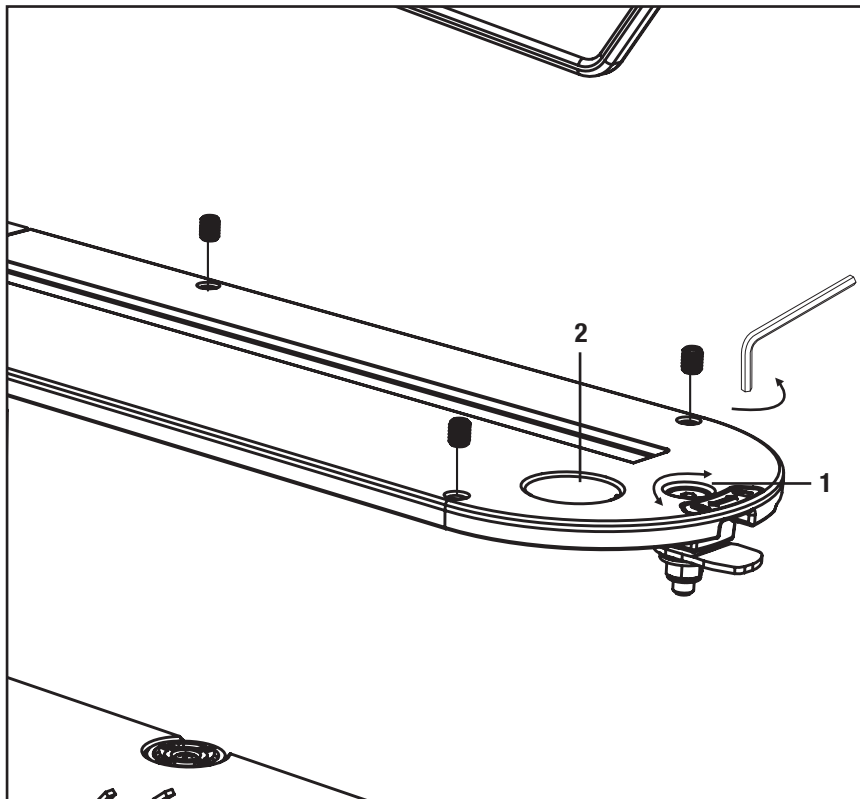
D



E

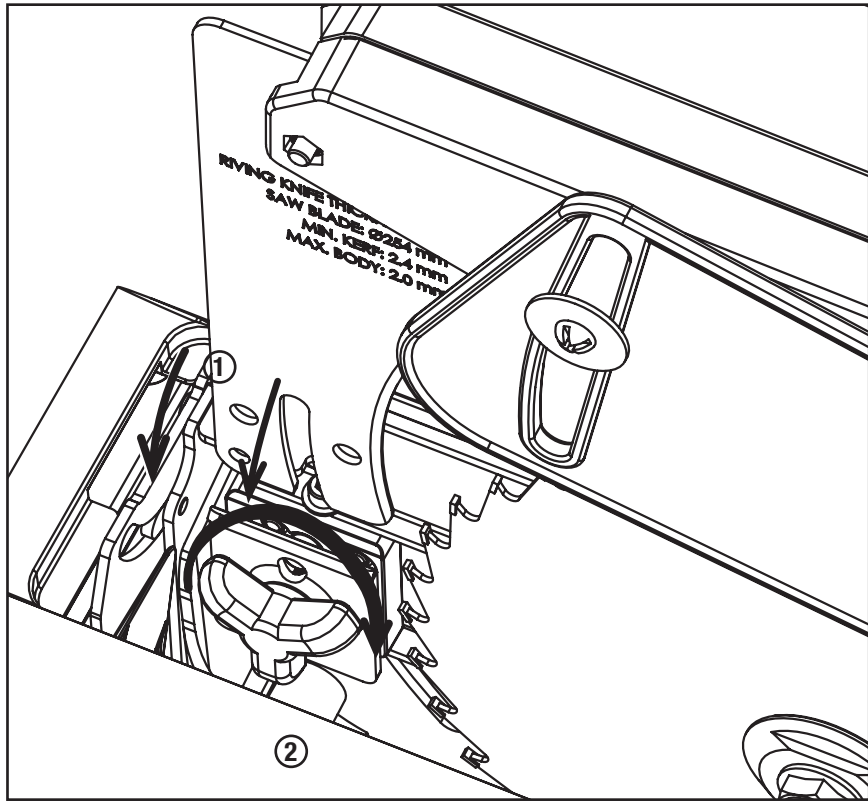


F

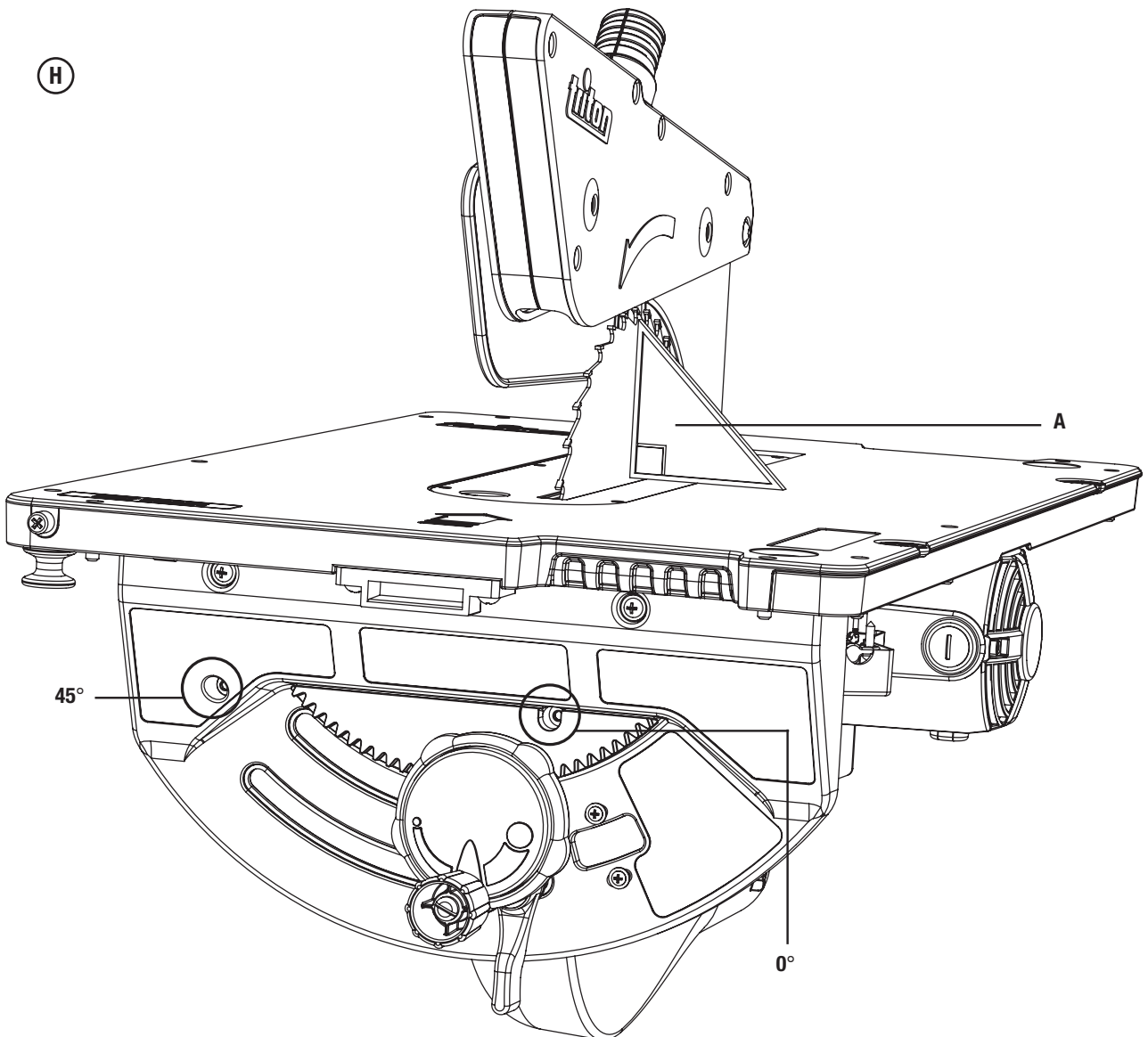


! WARNING: Ensure the Kerf Plate (C25) is correctly secured in positioned before use.

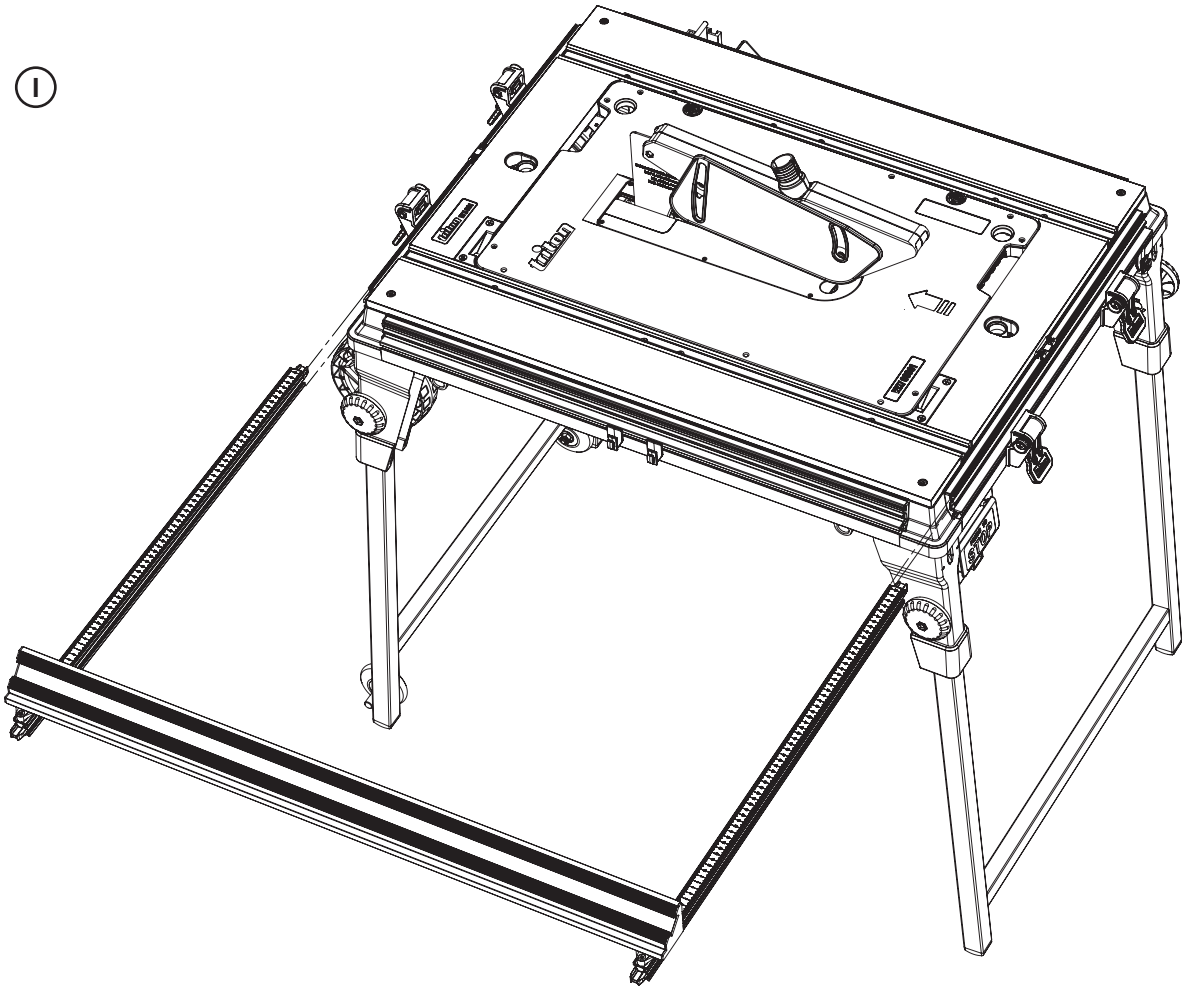
G



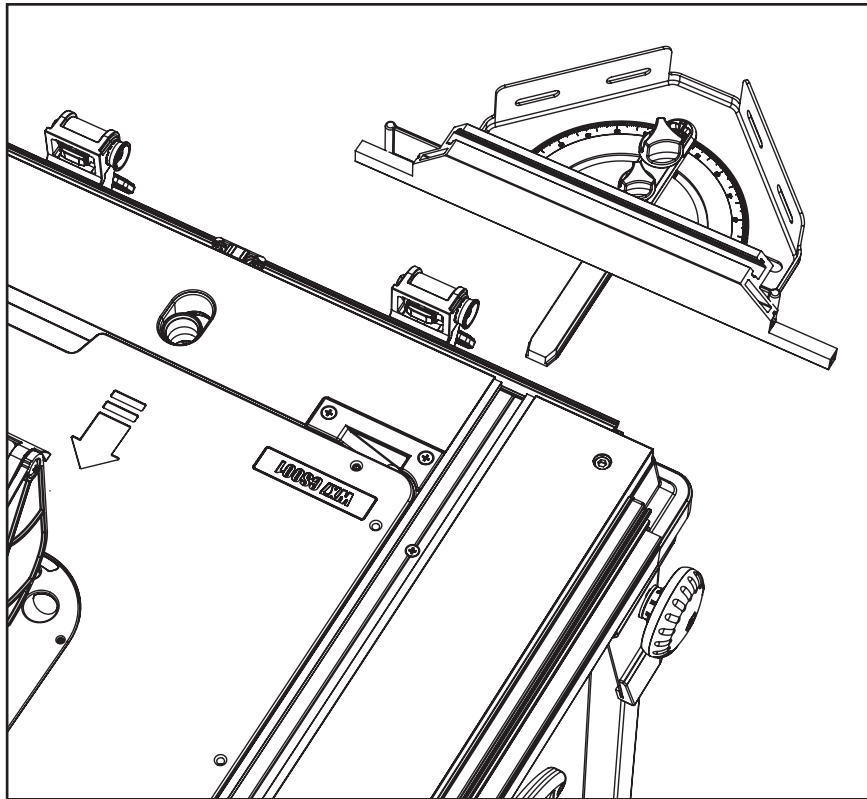
H



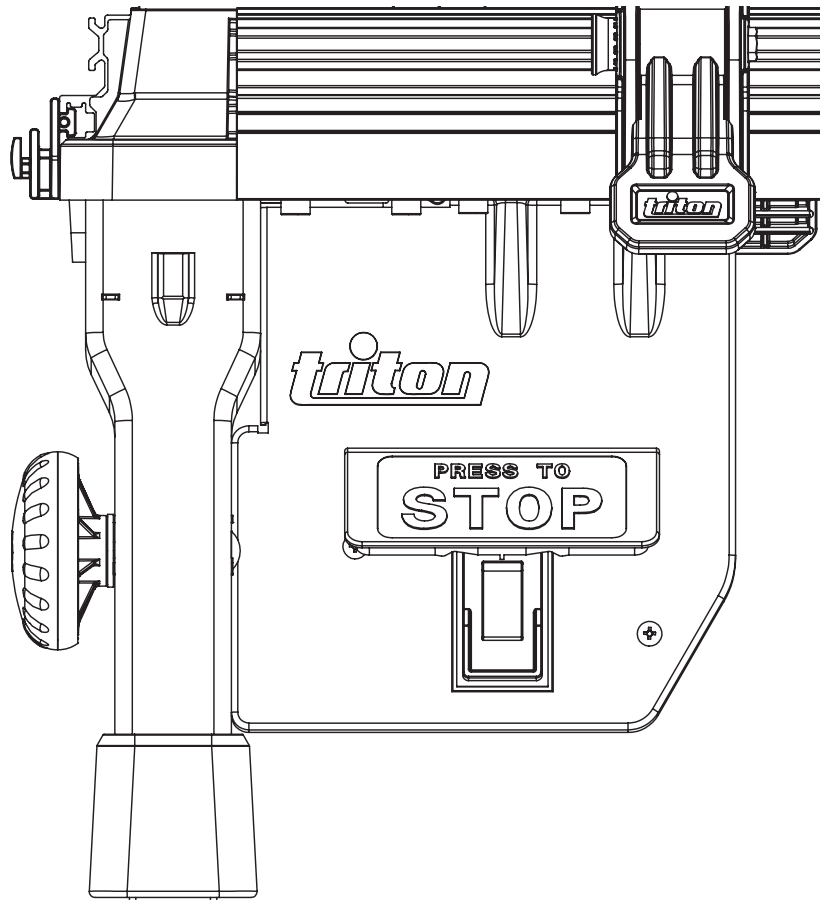
①



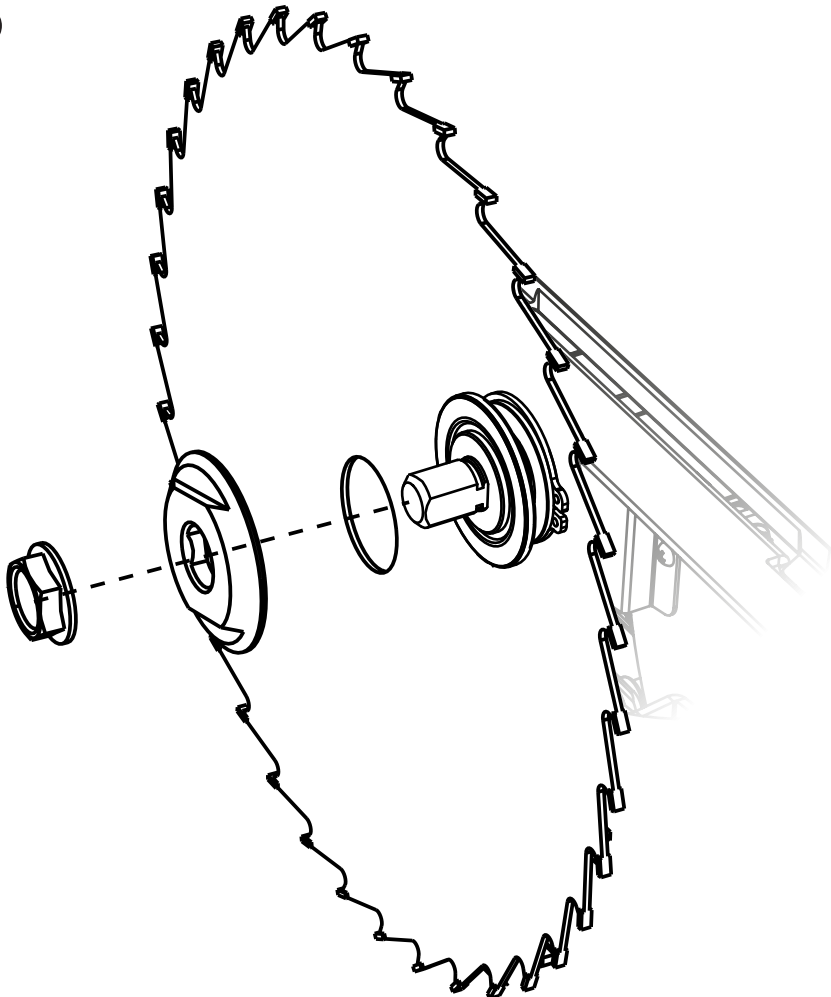
②

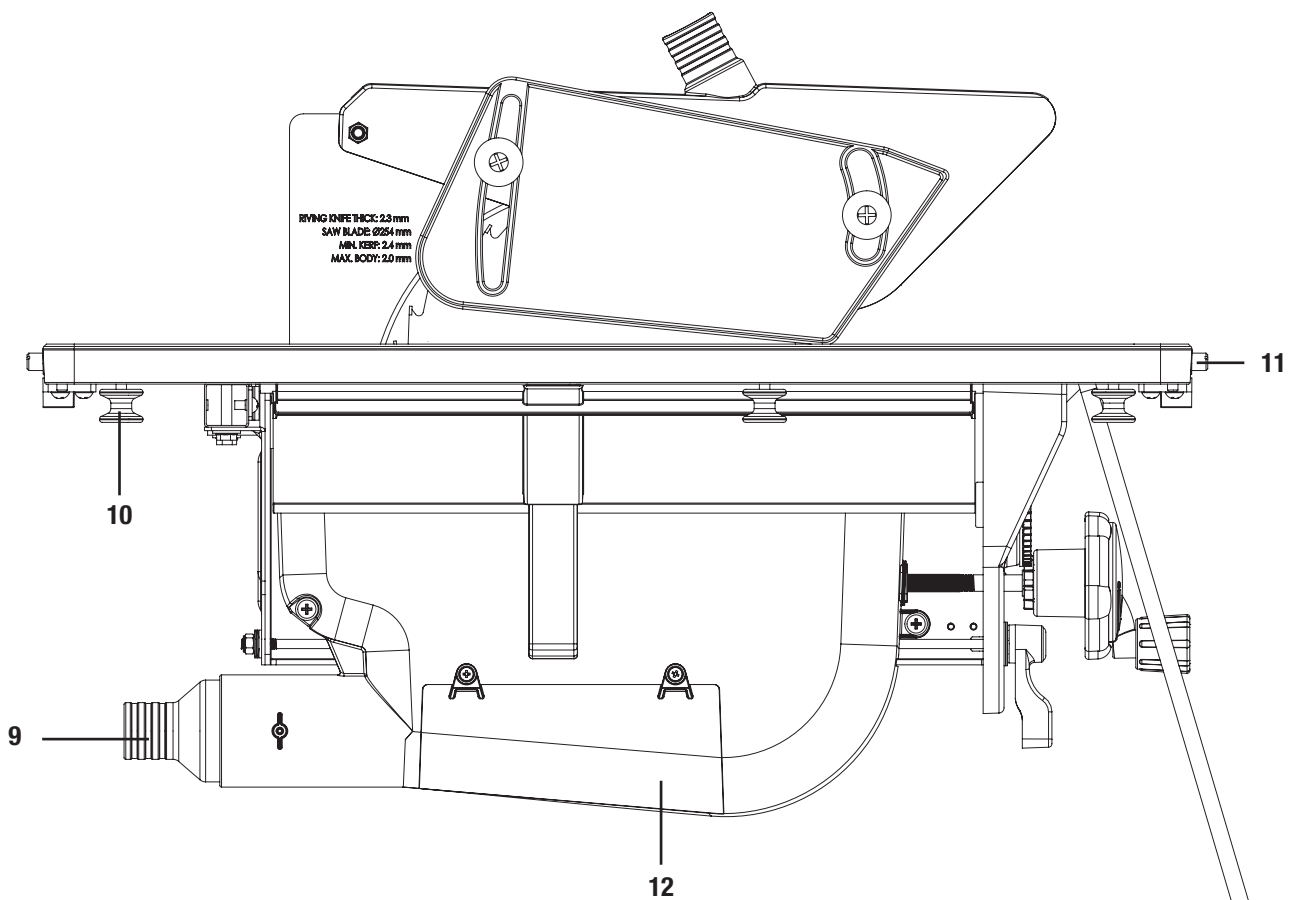
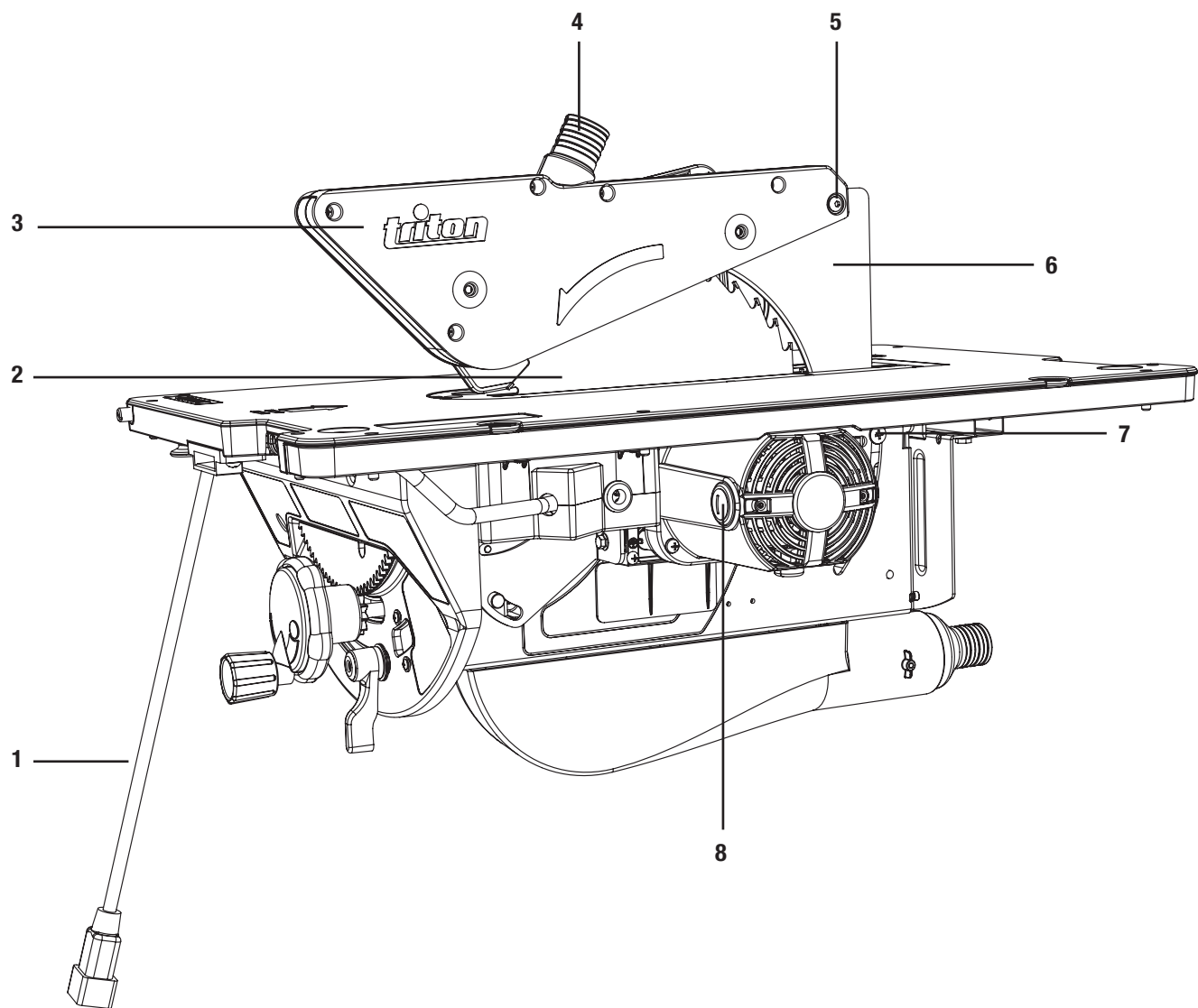


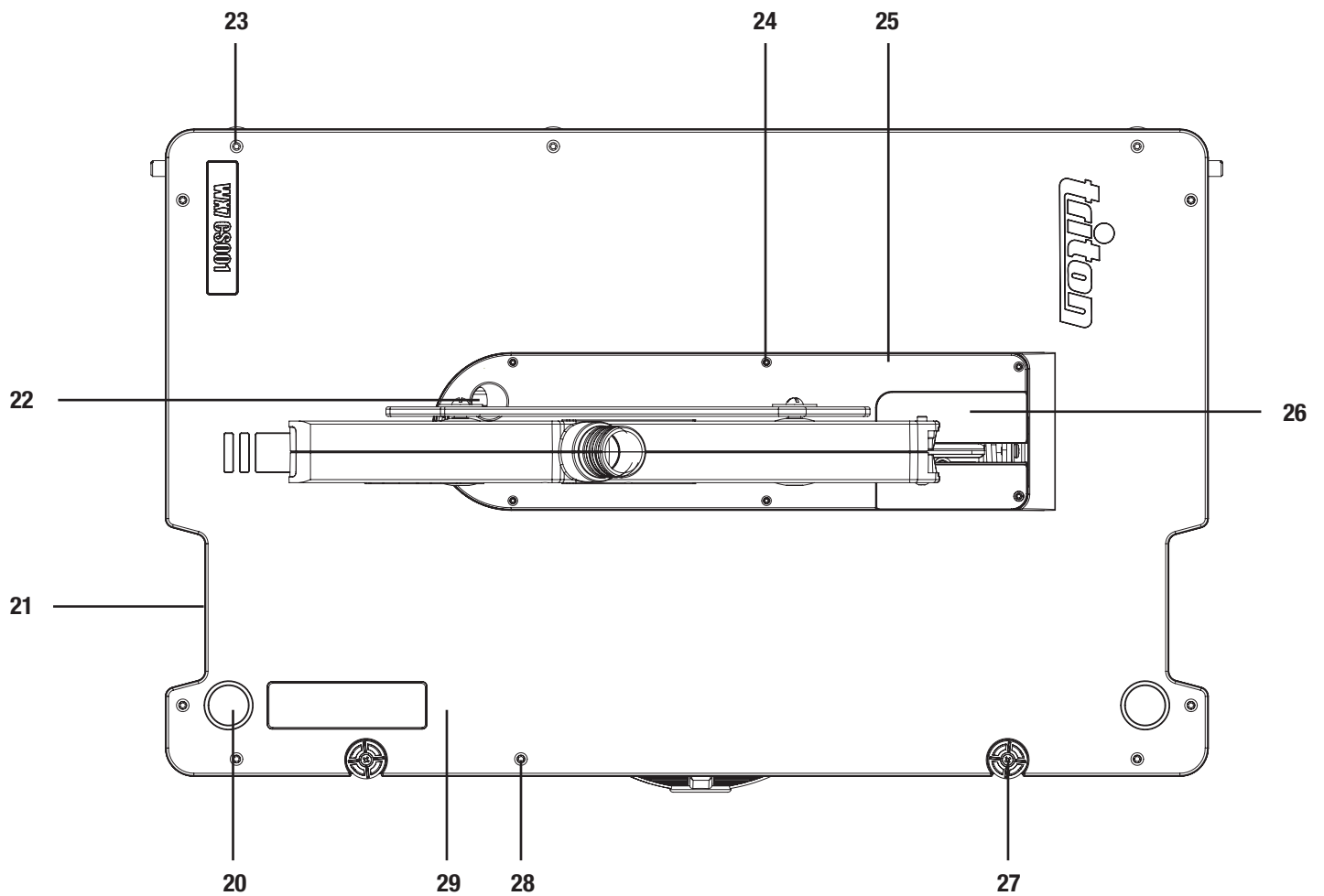
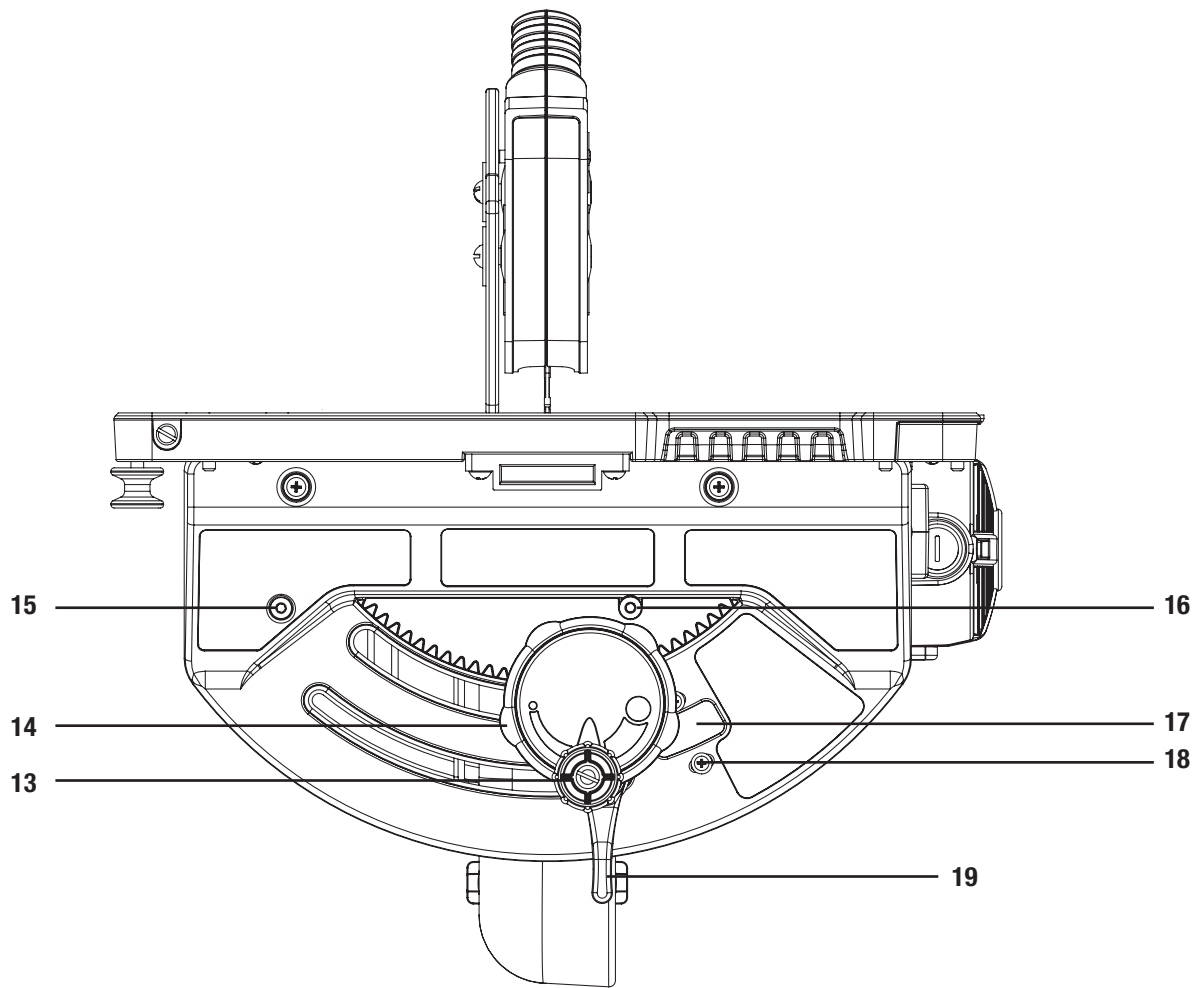
(K)

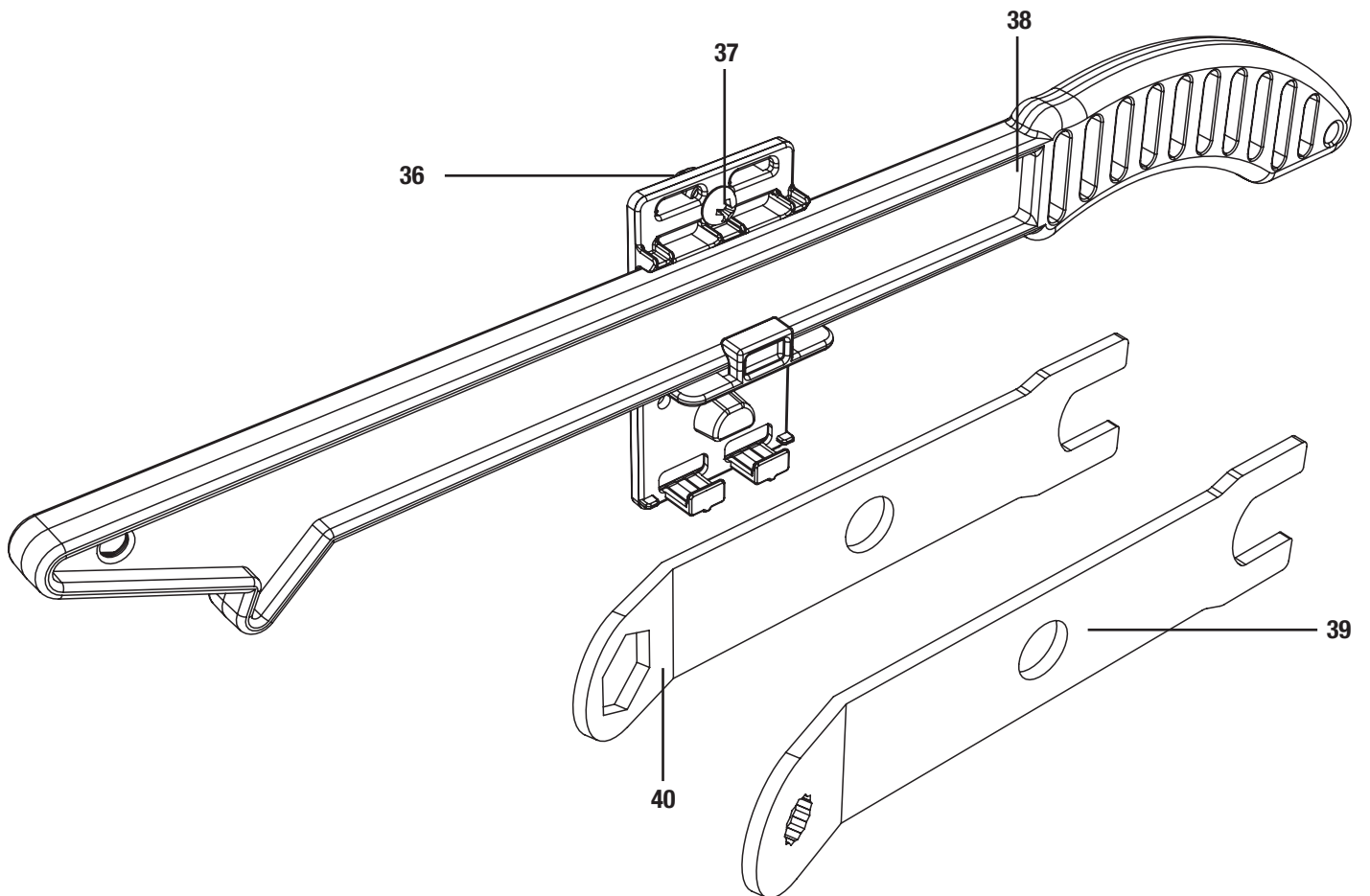
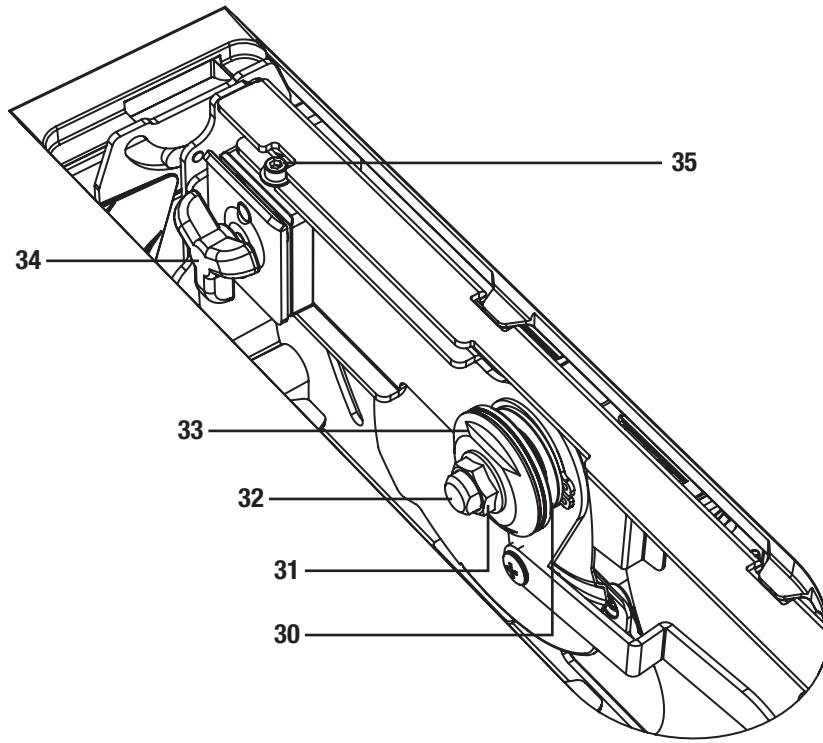


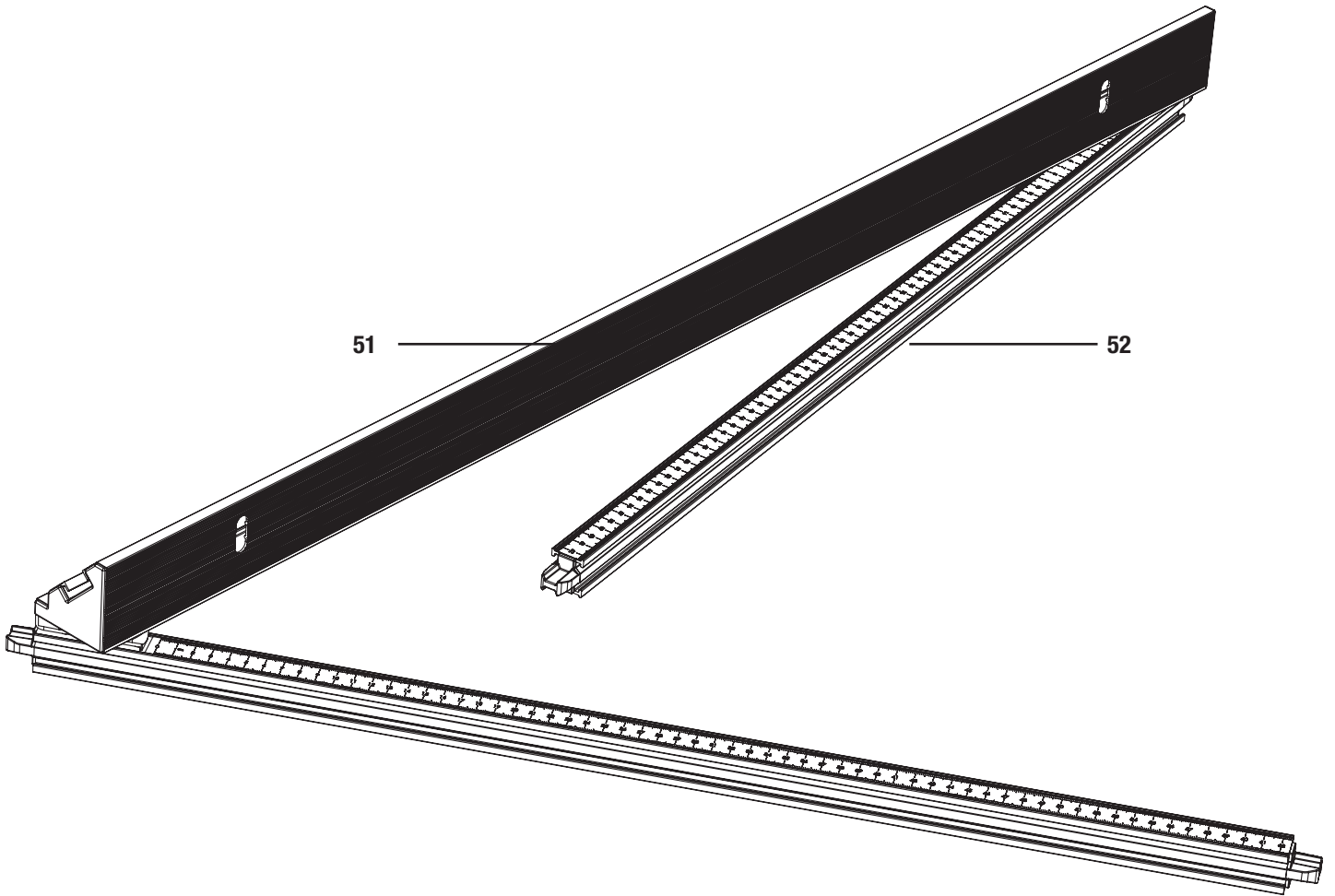
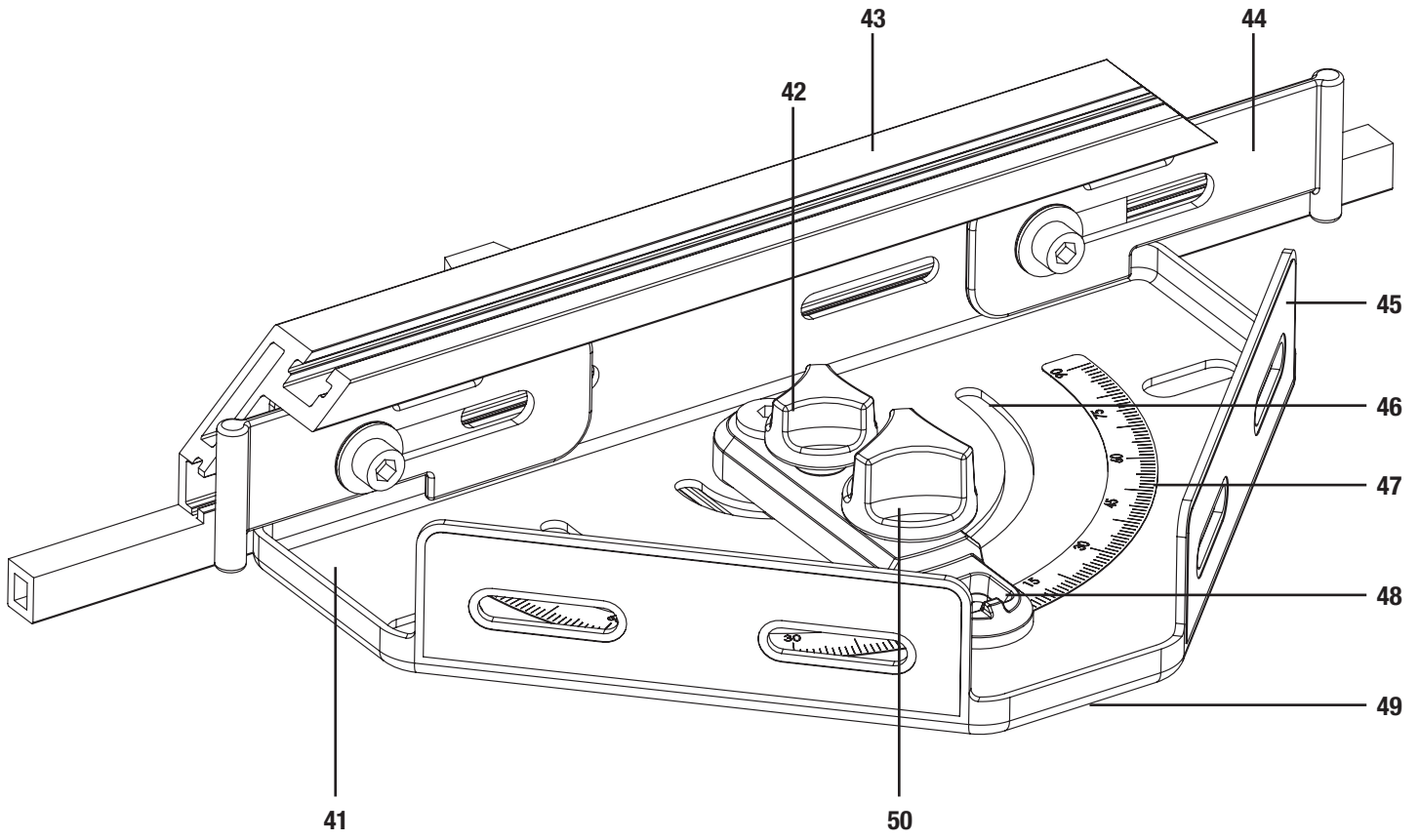
(L)













GB Operating and Safety Instructions

NL Bedienings- en veiligheidsvoorschriften

FR Instructions d'utilisation et consignes de sécurité

DE Gebrauchs- und Sicherheitsanweisung

IT Istruzioni per l'uso e la sicurezza

ES Instrucciones de uso y de seguridad

PT Instruções de Operação e Segurança

PL Instrukcja obsługi i bezpieczeństwa

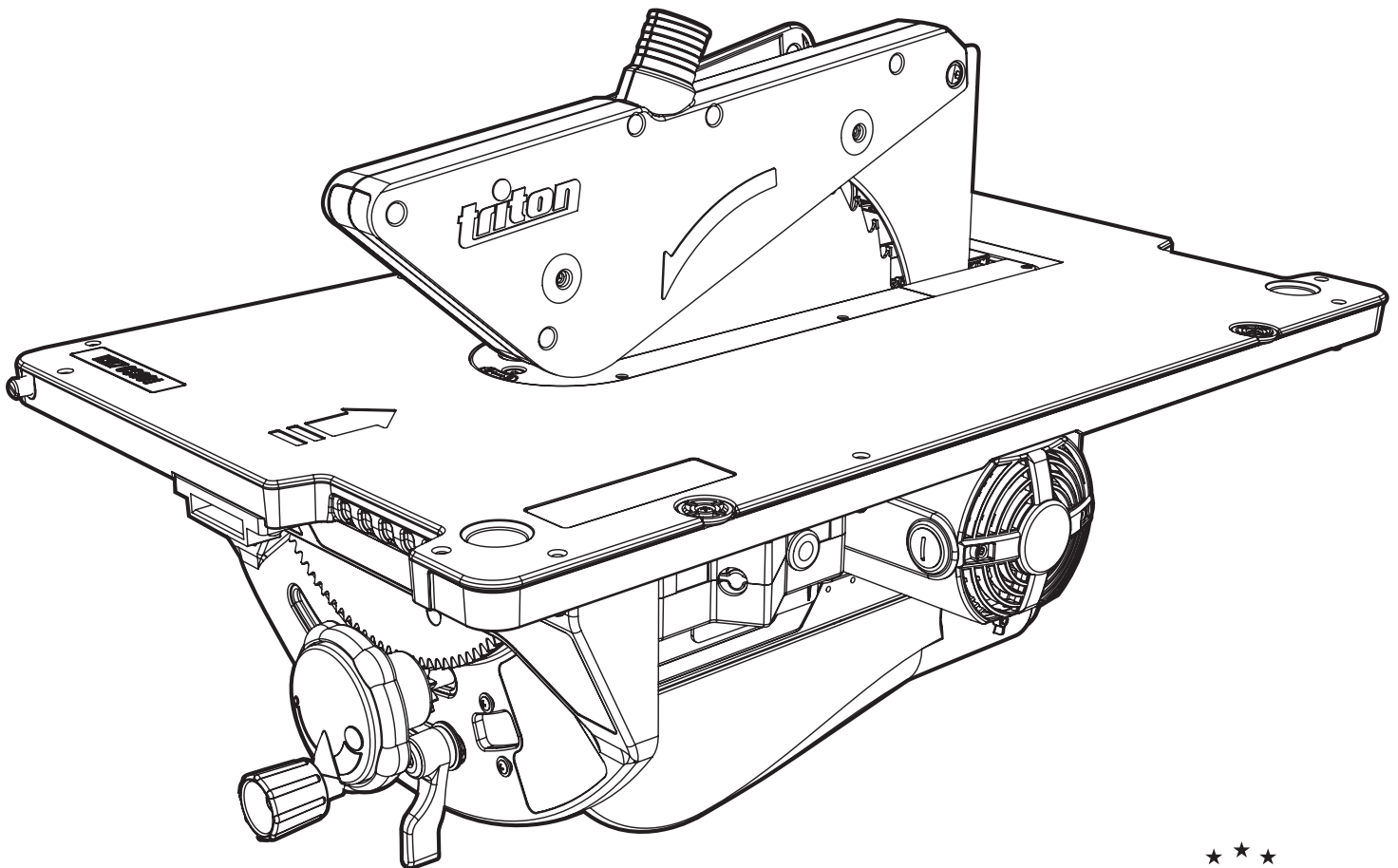
RU Инструкции по эксплуатации и правила техники безопасности

HU Kezelési és biztonsági utasítások

CZ Provozní a bezpečnostní pokyny

SK Prevádzkové a bezpečnostné pokyny

TR Çalışma ve Güvenlik Talimatları



Version date: 23/11/16

Designed in Europe



Original Instructions

Introduction

Thank you for purchasing this Triton tool. This manual contains information necessary for safe and effective operation of this product. This product has unique features and, even if you are familiar with similar products, it is necessary to read this manual carefully to ensure you fully understand the instructions. Ensure all users of the tool read and fully understand this manual.

Description of Symbols

The rating plate on your tool may show symbols. These represent important information about the product or instructions on its use.



Wear hearing protection
Wear eye protection
Wear breathing protection
Wear head protection



Wear hand protection



Read instruction manual



Be aware of kickback!



Warning: Sharp blades or teeth!



Indoors use only!



DO NOT use in rain or damp environments!



Caution!



Toxic fumes or gases!



DO NOT touch! DO NOT access the guard without removing the power. Keep children and bystanders away while operating a power tool. Distractions can cause you to lose control. All visitors should be kept safe distance from work area.



Always disconnect from the power supply when adjusting, changing accessories, cleaning, carrying out maintenance and when not in use!



Environmental Protection
Waste electrical products should not be disposed of with household waste. Please recycle where facilities exist. Check with your local authority or retailer for recycling advice.

Specification

Model number:	TWX7CS001
Power:	1800 W
No load speed:	4500/min
Carbide metal saw blade:	EN 847-1 compliant 254 x 30 x 2.6mm, 40 tooth
Contractors saw module size L x W x H:	679 x 422 x 449mm
Max rip cut capacity:	775mm
Max. Cutting depth at 90°:	86mm +/-1mm
Max. Angle cuts at 45°:	59.5mm +/-1mm
Table with side extension width:	+600mm
Table with outfeed extension length:	+670mm
Max. workpiece size L x W	851x775mm (without additional side support and outfeed support)
Dust extraction port size:	64.5/ 32.6mm
Weight:	15kg
Sound and vibration information	
Sound pressure L_{PA}:	92.3dB(A)
Sound power L_{WA}:	104.6dB(A)
Uncertainty K:	2.5dB
The sound intensity level for the operator may exceed 85dB(A) and sound protection measures are necessary.	

WARNING: Always wear ear protection where the sound level exceeds 85dB(A) and limit the time of exposure if necessary. If sound levels are uncomfortable, even with ear protection, stop using the tool immediately and check the ear protection is correctly fitted and provides the correct level of sound attenuation for the level of sound produced by your tool.

WARNING: User exposure to tool vibration can result in loss of sense of touch, numbness, tingling and reduced ability to grip. Long term exposure can lead to a chronic condition. If necessary, limit the length of time exposed to vibration and use anti-vibration gloves. Do not operate the tool with hands below a normal comfortable temperature, as vibration will have a greater effect. Use the figures provided in the specification relating to vibration to calculate the duration and frequency of operating the tool.

Sound levels in the specification are determined according to EN61029-1 or similar international standards. The figures represent normal use for the tool in normal working conditions. A poorly maintained, incorrectly assembled, or misused tool, may produce increased levels of noise and vibration. www.osha.europa.eu provides information on sound and vibration levels in the workplace that may be useful to domestic users who use tools for long periods of time.

General Safety

WARNING: When using electric power tools, basic safety precautions should always be followed to reduce the risk of fire, electric shock and personal injury including the following safety information. Read all these instructions before attempting to operate this product and save these instructions for future use.

WARNING: This appliance is not intended for use by persons (including children) with reduced, physical or mental capabilities or lack of experience or knowledge unless they have been given supervision or instruction concerning use of the appliance by a person responsible for their safety. Children must be supervised to ensure that they do not play with the appliance.

CAUTION: Use the power tool, accessories and tool bits etc. in accordance with these instructions, taking into account the working conditions and the work to be performed. Use of the power tool for operations different from those intended could result in a hazardous situation.

The term "power tool" in the warnings refers to your mains-operated (corded) power tool or battery-operated (cordless) power tool.

- 1 - **Keep work area clear** - Cluttered areas and benches invite injuries
- 2 - **Consider work area environment**
 - Do not expose tools to rain
 - Do not use tools in damp or wet locations
 - Keep work area well lit
 - Do not use tools in the presence of flammable liquids or gases
- 3 - **Guard against electric shock** - Avoid body contact with earthed or grounded surfaces (e.g. pipes, radiators, ranges, refrigerators)
- 4 - **Keep other persons away** - Do not let persons, especially children, not involved in the work touch the tool or the extension cord and keep them away from the work area
- 5 - **Store idle tools** - When not in use, tools should be stored in a dry locked-up place, out of reach of children
- 6 - **Do not force the tool** - It will perform the job better and safer at the rate for which it was intended
- 7 - **Use the right tool** - Do not force small tools to do the job of a heavy duty tool
 - Do not use tools for purposes not intended; for example do not use circular saws to cut tree limbs or logs
- 8 - **Dress appropriately**
 - Do not wear loose clothing or jewellery, which can be caught in moving parts
 - Suitable safety footwear is recommended when working outdoors.
 - Wear protective covering to contain long hair
- 9 - **Use protective equipment**
 - Use safety glasses
 - Use face or dust mask if working operations create dust

WARNING: Not using protective equipment or appropriate clothing can cause personal injury or increase the severity of an injury.

- 10 - **Connect dust extraction equipment** - If the tool is provided for the connection of dust extraction and collecting equipment, ensure these are connected and properly used
- 11 - **Do not abuse the power cable** - Never yank the power cable to disconnect it from the socket. Keep the power cable away from heat, oil and sharp edges. Damaged or entangled power cables increase the risk of electric shock
- 12 - **Secure work** - Where possible use clamps or a vice to hold the work. It is safer than using your hand
- 13 - **Do not overreach** - Keep proper footing and balance at all times
- 14 - **Maintain tools with care**
 - Keep cutting tools sharp and clean makes the tool easier to control and less likely to bind or lock in the workpiece
 - Follow instruction for lubricating and changing accessories
 - Inspect tool power cables periodically and if damaged have them repaired by an authorized service facility
 - Inspect extension cables periodically and replace if damaged
 - Keep handles dry, clean and free from oil and grease
 - Set the tool up in a stable position

WARNING: Many accidents are caused by poorly maintained power tools.

- 15 - **Disconnect tools** - When not in use, before servicing and when changing accessories such as blades, bits and cutters, disconnect tools from the power supply

WARNING: The use of accessories or attachments not recommended by the manufacturer may result in a risk of injury to persons.

- 16 - **Remove adjusting keys and wrenches** - Form the habit of checking to see that keys and adjusting wrenches are removed from the tool before switching it on
- 17 - **Avoid unintentional starting** - Ensure switch is in "off" position when connecting to a mains socket or inserting a battery pack, or when picking up or carrying the tool

WARNING: Unintended starting of a tool can cause major injuries.

- 18 - **Use outdoor extension leads** - When the tool is used outdoors, use only extension cords intended for outdoor use and so marked. Use of an extension cable suitable for outdoor use reduces the risk of electric shock

- 19 - **Stay alert**
 - Watch what you are doing, use common sense and do not operate the tool when you are tired
 - Do not use a power tool while you are under the influence of drugs, alcohol or medication

WARNING: A moment of inattention while operating power tools may result in serious personal injury.

- 20 - **Check damaged parts**
 - Before further use of tool, it should be carefully checked to determine that it will operate properly and perform its intended function
 - Check for alignment of moving parts, binding of moving parts, breakage of parts, mounting and any other conditions that may affect its operation
 - A guard or other part that is damaged should be properly repaired or replaced by an authorized service centre unless otherwise indicated in this instruction manual
 - Have defective switches replaced by an authorized service centre

WARNING: Do not use the tool if the on/off switch does not turn it on and off. The switch must be repaired before the tool is used.

- 21 - **Have your tool repaired by a qualified person** - This electric tool complies with the relevant safety rules. Repairs should only be carried out by qualified persons, otherwise this may result in considerable danger to the user

WARNING: When servicing use only identical replacement parts.

WARNING: If the power cable is damaged it must be replaced by the manufacturer or an authorised service centre.

- 22 - **Power tool mains plugs must match the mains socket** - Never modify the plug in any way. Do not use any adapter plugs with earthed (grounded) power tools. Unmodified plugs and matching sockets will reduce risk of electric shock
- 23 - **If operating a power tool outside use a residual current device (RCD)** - Use of an RCD reduces the risk of electric shock

NOTE: The term "residual current device (RCD)" may be replaced by the term "ground fault circuit interrupter (GFCI)" or "earth leakage circuit breaker (ELCB)".

WARNING: When used in Australia or New Zealand, it is recommended that this tool is ALWAYS supplied via Residual Current Device (RCD) with a rated residual current of 30mA or less.

WARNING: Before connecting a tool to a power source (mains switch power point receptacle, outlet, etc.) be sure that the voltage supply is the same as that specified on the nameplate of the tool. A power source with a voltage greater than that specified for the tool can result in serious injury to the user, and damage to the tool. If in doubt, do not plug in the tool. Using a power source with a voltage less than the nameplate rating is harmful to the motor.

Table Saw Safety

WARNING: ALWAYS wear personal protective equipment, including but not limited to eye protection, ear defenders, a suitable dust mask and suitable gloves when using a saw table. Ensure all people in the vicinity of the work area use adequate protection. Keep bystanders a safe distance away.

WARNING: ALWAYS connect the dust extraction port on the blade guard to a suitable vacuum dust extraction system when sawing wood. Certain types of wood are toxic or may cause allergic reactions in people and animals, especially when exposed to very fine dust. ALWAYS wear appropriate respiratory protection in addition to vacuum dust extraction.

WARNING: The rated speed of the saw blade must be at least equal to the maximum speed marked on the power tool. Accessories running faster than their rated speed could break and fly apart.

- a) **ONLY fit circular saws that are listed as compatible in 'Specifications' to the saw table.** ONLY use compatible saw blades, ensuring that the riving knife is not thicker than the blade kerf, and not thinner than the saw blade.
- b) **ENSURE your work area is safe and sufficiently lightened, without obstructions, trip hazards or any other potential dangers.**
- c) **NEVER attempt to cut metals or drywall products containing masonry with this table saw.** It is exclusively designed for use with wood and wood-like products.
- d) **DO NOT attempt to use a molding head with this saw table.** The compatible circular saws and the table setup are not suitable for this kind of cutting.
- e) **ALWAYS ensure the work area is well ventilated.** Remove sawdust frequently and clean out sawdust from the saw, to prevent a potential fire hazard.
- f) **NEVER attempt to remove wood fragments or dust from the blade with your hands whilst the blade is spinning.** ALWAYS switch the saw off, disconnect the machine from the power supply, and wait until the blade has come to a standstill. ALWAYS use cut-proof gloves when touching the saw blade, to avoid injury.
- g) **NEVER leave the saw running unattended.** After switching off, DO NOT leave the saw table, until the blade has come to a complete stop.
- h) **CAREFULLY read the instructions listed in 'Kickback Prevention', and follow these recommendations when using a saw table.**
- i) **ALWAYS feed the workpiece into the blade AGAINST the direction of rotation.** The feed direction is indicated by the arrow moulded into the table surface.
- j) **ALWAYS use the parallel fence when making rip cuts.** Ensure the fence is parallel to the blade, it MUST NOT be angled towards the blade, and securely lock the fence at both ends.
- k) **ALWAYS secure the workpiece firmly against the rip fence or mitre gauge.** NEVER use the rip fence during the same operation as the mitre gauge.
- l) **NEVER remove the blade guard or riving knife.** Riving knives are also known under the term 'spreaders'.
- m) **ALWAYS use a push stick when ripping narrow workpieces, so your hand does not come close to the saw blade.** The push stick must ALWAYS be narrower than the workpiece, to prevent the push stick from coming into contact with the blade. Use a featherboard and push blocks for non-through cuts. Store the push stick with the saw, when not in use.
- n) **NEVER perform any free-hand operations, only supporting the workpiece with your hands.** ALWAYS use either the rip fence or a mitre fence to position and guide the work.
- o) **NEVER reach behind, over or within 75mm (3") of the blade, with either hand, for any reason.**
- p) **ALWAYS move the rip fence out of the way when making cross cuts.** NEVER use the rip fence as a cut-off gauge when cross cutting.
- q) **NEVER attempt to free a stalled saw blade, with the saw switched on.** ALWAYS switch off and disconnect the machine from the power supply.
- r) **ALWAYS support large workpieces on the in-feed and out-feed sides of the saw table, and where necessary, also to the sides.** Use roller supports or saw horses wherever possible.
- s) **NEVER let go of the workpiece before it is pushed all the way past the saw blade, using a push stick where necessary.**
- t) **AVOID irregularly shaped workpieces that do not have a straight edge to guide along the rip fence.**
- u) **DO NOT cut round stock with table saws.** DO NOT use table saws to cut logs or firewood.
- v) **ALWAYS avoid awkward operations and hand positions, where a sudden slip could cause your hand or other parts of your body to come into contact with the blade.**
- w) **INSPECT the throat plate before use.** Replace throat plates that are damaged or worn.
- x) **ONLY use accessories listed in this manual, to be compatible with the saw table.** The use of incompatible accessories may inherently be dangerous and lead to severe injury or property damage. ALWAYS follow all safety instructions and safe usage procedures, provided with the accessory.
- y) **ALWAYS switch the saw table off before disconnecting it from the power supply.** This avoids accidental starting upon reconnecting to the power supply.

Kickback Prevention

Note: Kickback occurs when the blade stalls rapidly, as a result from being pinched, bound or misaligned, and drives the workpiece is driven back towards the operator. It can also pull the operator's hand into the blade, resulting in serious injury.

WARNING: Kickback is the result of saw misuse and/or incorrect operating procedures or conditions, however, if precautions are taken, kickback forces can be controlled by the operator, or avoided altogether:

- a) **ALWAYS use the saw with the riving knife (also known as 'spreader') installed.** NEVER remove the riving knife, to prevent the kerf from closing on to the blade.
- b) **NEVER attempt to cut with a dull or warped blade.** ALWAYS ensure the blade is suitable for the material to be cut.
- c) **ALWAYS ensure the rip fence is parallel to the blade.** If the fence tilts inward towards the blade, the workpiece may come into contact with the back edge of the blade, and may be thrown back towards the user uncontrollably as a result.
- d) **NEVER use the rip fence and mitre gauge simultaneously.** This can lead to serious kickback and severe injury.
- e) **Use CAUTION when cutting large sheets.** Ensure larger stock is properly supported by adequate in-feed and out-feed supports.
- f) **DO NOT cut round stock or workpieces that cannot lay flat on the table.** Avoid cutting twisted, distorted or knotty wood.
- g) **DO NOT cut wet wood, as it produces higher friction against the saw blade.** Wet sawdust can accumulate on the blade, further increasing the likelihood of kickback.
- h) **ALWAYS maintain a firm grip on the workpiece, with both hands, and position your arms to resist kickback forces.**
- i) **Stay out of blade path and position your body to either side of the blade, but not in line with the blade.**

- j) **DO NOT back out of the cut.** If you have to interrupt a cut before it is complete, switch the saw off, and remove the workpiece from the saw, once the blade has stopped spinning.
- k) **PREVENT workpieces from dropping on to the blade.** DO NOT attempt to perform plunge cuts with your table saw.
- l) **ALWAYS use push sticks or push block where appropriate, to guide the workpiece through the blade.** Use feather boards to hold down the workpiece wherever possible

Product Familiarisation

1. Mains Plug
2. Saw Blade
3. Blade Guard
4. Blade Guard Dust Port
5. Guard Fixing Screw
6. Riving Knife
7. Riving Knife Locking Screw
8. Brush Cap
9. Dust Extraction Port
10. Module Levelling Bobbin
11. Module Roller
12. Dust Chute Panel
13. Blade Height Winder
14. Bevel Angle Adjuster
15. 45° Trimming Screw
16. 0° Trimming Screw
17. Bevel Angle Gauge
18. Angle Calibration Screw
19. Locking Lever
20. Thumb Holes
21. Hand Slots
22. Kerf Plate Access Hole
23. Module Levelling Bobbin Screw
24. Kerf Plate Levelling Screw
25. Kerf Plate
26. Plaque sacrificielle
27. Lateral Alignment Wheel
28. Module Levelling Screw
29. Module Table Surface
30. Arbor Holder
31. Blade Securing Nut
32. Arbor
33. Blade Flange
34. Securing Knob
35. Riving Knife Adjustment Screw
36. Mounting Tab
37. Fixing Screw
38. Push-Stick
39. Multi-Tool 1
40. Multi-Tool 2
41. Protractor Gauge
42. Bench Locking Knob
43. Adjustable Front Fence
44. Supporting Bracket
45. 45° Angle Fence
46. Angle Slot
47. Graduation Scale
48. Angle Viewfinder
49. Bench Rail
50. Angle Adjustment Knob
51. Rip Fence
52. Rip Fence Arm

Intended Use

An effective saw table capable of mitre, bevel and cross cutting. Includes Protractor Gauge and Rip Fence. Suitable for cutting wood and wood-like materials only. For use with the Triton Workcentre TWX7 and accessories.


Unpacking Your Tool

- Carefully unpack and inspect your tool. Fully familiarise yourself with all its features and functions
- Ensure that all parts of the tool are present and in good condition. If any parts are missing or damaged, have such parts replaced before attempting to use this tool

IMPORTANT: Read these instructions in combination with the instructions supplied with your Triton Workcentre.

For instruction video, please go to www.tritontools.com

Before Use

 **WARNING:** Ensure the saw table is switched off and disconnected from the power supply before attaching or changing any accessories, inserting or removing modules, or making any adjustments.

WARNING: ALWAYS wear suitable cut-proof gloves when handling the table saw blade. Not doing so may result in cuts or harm to the operator.

Module levelling screw installation

- Place the Contractor Saw Module on a secure flat surface, and install the Module Levelling Bobbin Screws (23), Module Levelling Screws (28) and the Module Rollers (11) as depicted in Fig. A

Installing and removing the module

 **WARNING:** When carrying the Contractor Saw Module, use the Hand Slots (21).

Note: In order to insert/remove the Contractor Saw Module, the Saw Blade (2) needs to be in the 45° position. See "Blade adjustment" for detailed instructions regarding alteration of the blade angle.

Module installation:

WARNING: Lower the Saw Blade (2) to a safe height position before installing or removing the Contractor Saw Module.

WARNING: Some modules are heavy, especially with power tools installed. ALWAYS grip the module using the Hand Slots (21), ensuring secure footing and upright positioning. Avoid awkward movements when removing and fitting modules.

IMPORTANT: Always lower modules carefully using both the provided Thumb Holes (20). Uncontrolled lowering can cause Workcentre, module and power tool damage as well as possible injury to the operator.

 **WARNING:** Do not place fingers and/or body parts between the module and the Workcentre chassis. See Fig. B

- Slide the Module Rollers (11) into the Module Mounting Guides and carefully lower the module into place, see Fig. B
- Toggle both Module Locks into the locked position, Fig. C

Note: Ensure the Module Levelling Bobbin Screws (23), are correctly located in the bobbin locators. The Module Levelling Screws (28) need to be adjusted to remove play between the module and the workcentre chassis.

Module removal:

- Toggle the Module Locks into the 'unlocked' position. Lift the module from the chassis using the Finger Holes, and slide the Module Rollers (11) from the Module Mounting Tracks, see Fig. B

Levelling table modules

- Level the module by adjusting the Module Levelling Bobbin Screws (23), and Module Levelling Screws (28) in the order depicted in Fig. D
- Check the module is level with the Table Surface using a straight edge, as depicted in diagram Fig. E. If the module is still uneven, repeat the above process

Assembling the Contractor Saw Module

- See Figures A – L combined with the information below to assemble the Contractor Saw Module.

Riving knife installation

WARNING: Ensure the Riving Knife (6) is correctly locked into place before use.

1. With the Saw Blade (2) in the 0° position, raise the blade to its maximum height using the Blade Height Winder (13)
2. Loosen the hex screw located at the infeed end of the Kerf Plate (25), and use the Kerf Plate Access Hole (22) to release the plate, Fig. F
3. Slot the Riving Knife (6) into the fixing bracket, and fasten the Securing Knob (34) Fig. G

Kerf plate levelling

WARNING: Ensure the Kerf Plate (25) is installed and levelled correctly before use.

1. Level the Kerf Plate by adjusting the Kerf Plate Levelling Screws (24)
2. Check the Kerf Plate is level against the surrounding Table Surface using a straight edge. If the Kerf Plate is still uneven, repeat the above process

Blade adjustment

- To adjust the bevel angle of the Saw Blade (2):
 1. Unlock the Locking Lever (19)
 2. Rotate the Bevel Angle Adjuster (14) to alter the angle of the blade
 3. Use the Bevel Angle Gauge (17) to view the blade angle
- Adjust the Saw Blade height by turning the Blade Height Winder (13):
 - Clockwise to raise the Saw Blade
 - Anticlockwise to lower the Saw Blade

Blade calibration

Note: Refer to Fig. H, when calibrating the Saw Blade (2).

1. Raise the Saw Blade to its maximum height using the Blade Height Winder (13)
2. Using the Bevel Angle Adjuster (14) adjust the Saw Blade so it is perpendicular to the Table Surface
3. Place a set square (not provided) flat against the Table Surface and against the blade
4. Loosen the 0° Trimming Screw (16)
5. Adjust the Saw Blade angle so it is parallel with the set square
6. Loosen the Angle Calibration Screws (18) and align the red dial with '0' on the Bevel Angle Gauge (17)
7. Lock the Saw Blade into position using the Locking Lever (19)
8. Tighten the 0° Trimming Screw
9. Loosen the 45° Trimming Screw (15)
10. Move the Saw Blade into the 45° position
11. Tighten the 45° Trimming Screw and check 45° is displayed on the Bevel Angle Gauge. If 45° is not displayed on the Bevel Angle Gauge after tightening the 45° Trimming Screw, repeat steps '9-11'

Riving knife alignment

1. With the Saw Blade (2) in the 0° position, raise the blade to its maximum height using the Blade Height Winder (13)
2. Loosen the hex screw located at the infeed end of the Kerf Plate (25), and use the Kerf Plate Access Hole (22) to release the plate, Fig. F
3. Loosen the Riving Knife Adjustment Screw (35) and the Riving Knife Locking Screw (7)
4. Place two straight edges, for example a ruler, against the sides of the Saw Blade and the Riving Knife
5. Remove the straight edges and tighten the Riving Knife Adjustment Screw, followed by the Riving Knife Locking Screw
6. Check the Riving Knife is aligned with the Saw Blade. If the Riving Knife is not aligned, repeat steps '3-5' until aligned
7. Replace the Kerf Plate, the Riving Knife is now aligned

Rip fence

- Unfold the Rip Fence Arms (52) and slide into the Rip Fence Guides of the Workcentre chassis, Fig. I
- The Rip Fence Arms display a graduation scale. When used in combination with the Rip Fence Position Indicator, accurate width measurements can be determined

Protractor gauge

- Loosen the Bench Locking Knob (42) and slide the Bench Rail (49) into the T-Slot of the Workcentre chassis, Fig. J
- Tighten the Bench Locking Knob to secure the Protractor Gauge (41)
- Angle adjustment can be achieved by unlocking the Angle Adjustment Knob (50) and turning the Protractor Gauge to the desired angle
- The angle is displayed through the Angle Viewfinder (48)
- Adjust the Adjustable Front Fence (43) by loosening the two hex bolts, to accommodate different sized workpieces
- Turn the Protractor Gauge around and set the angle to 0°, to use the 45° Angle Fence (45) for a precise 45° cut

Dust extraction

WARNING: ALWAYS use a suitable vacuum cleaner or workshop dust extraction system.

WARNING: Some dust from natural wood , surface coatings, and composite materials contain toxic substances. ALWAYS dispose of harmful dust according to laws and regulations.

- Whilst dust extraction can be achieved using any vacuum cleaner, domestic (bag-type) units can fill up very quickly. For a much larger capacity, consider fitting a Triton Dust Collector (DCA300) to your vacuum cleaner
- The combined electrical load of the Contractor Saw and vacuum cleaner may exceed the rated amperage of the domestic extension lead or power outlet. Always connect the vacuum cleaner and Contractor Saw to separate electrical outlets, and switch on both appliances separately

Electrical connections


Note: The Workcentre features a mains isolator switch with Trailing Socket to allow easy connectivity to power tools, Fig. K

Connect the Workcentre to the mains via the Mains Plug

- Use the Trailing Plug to connect power tools to the power supply
1. Power tools must be connected to the Workcentre switchbox
 2. If necessary, suitable extension cords may be used to extend the Workcentre's own power cable

WARNING: Use only extension cords that are in good condition, with a sufficient cross section to carry the current the power tool will draw. Undersized extensions will cause in-line voltage to drop, resulting in power loss, overheating and burning out of the power tool motor.

Operation

 **WARNING:** ALWAYS wear eye protection, adequate respiratory and hearing protection, and suitable gloves, when working with this tool.

IMPORTANT: The Contractor Saw Module is marked with the feed direction - this indicates the correct and safest direction for the workpiece when making the cut.

WARNING: Do not over-balance the Workcentre by using very large workpieces.

WARNING: Ensure the Kerf Plate (25) is installed and levelled correctly before use.

Note: Refer to your original TWX7 Workcentre instructions for full information and diagrams that refer to parts of the Workcentre.

Workcentre switchbox operation

IMPORTANT: The switchbox requires a live mains connection to switch 'on'. It will reset to 'off' as soon as power is disconnected, and will require resetting to 'on' when power is restored to continue operation.

Switching on and off

1. The Workcentre ON/OFF Switch is located at the front of the Workcentre chassis, Fig. K
 2. Connect the Workcentre Mains Plug to a wall socket and switch to the 'On' position
 3. Switch the Workcentre ON/OFF Switch into the 'O' position by pushing on the 'Knee-Off' Stop Button
 4. Connect the power tool's mains plug to the Power Tool Connection Socket
 5. Switch 'on' the power tool by pressing the ON/OFF Switch into the 'I' position
- Press down on the Knee-Off Stop Button to switch 'off'

Note: If the power supply is interrupted during use, the machine will not restart. The ON/OFF Switch will need to be activated again to resume operation.

User position and feed direction

- The main user position is defined by the location of Knee-Off Stop Button
- ALWAYS remain positioned in close proximity to the ON/OFF Switch, so the machine can be instantly switched off in the case of emergency
- Feed workpieces in the direction indicated by the arrows on the Module Table Surface (29)

Using the table extensions (available as accessories)

- The (optional) Workcentre Outfeed Support (TWX7OS) and Workcentre Side Support (TWX7SS) bars can be adjusted to provide sturdy support to larger workpieces. Adjustability can be performed by loosening the Outfeed Support Knobs, and/or the Side Support Knobs, and extending the corresponding support bar to the size of the workpiece

Adjusting the protractor gauge

Note: In order to increase the life span of the Protractor Gauge (41) it is recommended that a sacrificial piece of wood should be fixed to the fence.

1. With the Protractor Gauge located in the T-Slot, loosen the Bench Locking Knob (42) and the Angle Adjustment Knob (50)
 2. Adjust the angle of the Protractor Gauge, the angle is displayed through the Angle Viewfinder (48)
 3. Lock the Angle Adjustment Knob securely, whilst only securing the Bench Locking Knob until resistance is felt, to secure the Protractor Gauge in the T-Slot
- Alternatively if a 45° angle is required:
 1. Remove the Protractor Gauge and reinstall so the Adjustable Front Fence (43) is trailing
 2. Ensure 0° is displayed through the Angle Viewfinder and lock the Angle Adjustment Knob
 3. Use the 45° Angle Fence (45) to secure the workpiece

Push-stick use

WARNING: Performing cuts on small workpieces can be dangerous and will require the use of push-sticks.

- A Push-Stick (38) is included with this product. However it may be necessary to use more than one push-stick to safely cut your workpiece
- When ripping small diameter stock it will be necessary to use multiple push-sticks in order to secure the workpiece that is in close proximity to the Saw Blade (2)

Cutting operations

WARNING: NEVER handle the part of the workpiece that is near the Saw Blade (2) whilst the blade is in motion or whilst the power is ON. Doing so may cause the workpiece to be ejected from the machine and could cause harm to the operator.

WARNING: Keep both hands away from the blade and the cutting path at all times.

WARNING: NEVER attempt to pull the workpiece back during the cutting process; switch the machine off and wait for the Saw Blade to stop rotating before removing the part-cut specimen.

WARNING: When cutting oversized workpieces that are larger than the width and/or length of the Workcentre Table Surface, it is necessary to adequately support the workpiece using the (optional) Workcentre Outfeed Support (TWX7OS) and/or Workcentre Side Support (TWX7SS) which are available from your Triton dealer.

WARNING: Ensure the Workcentre is set up on a stable, flat, and secure surface. Before using the Workcentre ALWAYS check for stable footing. Using the Workcentre on rough, unsecure terrain is dangerous and could cause serious harm to the operator.

Performing a cross cut

WARNING: To avoid the cut-off part of the workpiece being thrown, avoid restricting the workpiece using the Rip Fence (51). Use the Protractor Gauge (41) to support the workpiece during the cutting procedure.

- If the workpiece does not fit within the maximum workpiece dimensions specified within the 'Specifications', adjust the support structures to accommodate the workpiece during the cutting procedure

1. Position the Rip Fence away from the path of the workpiece. Adjust the Protractor Gauge (41) to the desired angle, and lock into position
2. Position the Saw Blade so the highest point is approximately 3.2mm higher than the top of the workpiece
3. Hold the workpiece firmly against the Protractor Gauge using the hand closest to the blade, and position the other hand on the part of the workpiece furthest from the Saw Blade for support
4. Switch the Contractor Saw 'on' and allow the Saw Blade to reach the operating speed
5. Whilst using both hands to support the workpiece, as described in 'Step 3', slowly feed the workpiece into the Saw Blade

Note: Before removing the cut-off part of the workpiece, turn the saw 'off' and wait for the blade to stop rotating.

Performing a mitre cut

- If the workpiece does not fit within the maximum workpiece dimensions specified within the 'Specifications', adjust the support structures to accommodate the workpiece during the cutting procedure

1. Adjust the Protractor Gauge (41) to the desired angle. For instructions on Protractor Gauge adjustment and calibration, see 'Adjusting the protractor gauge'
2. See 'Performing a cross cut' for cutting procedure instructions

Performing a rip cut

WARNING: Ensure the Rip Fence (51) is used when performing rip cuts (performing free-hand cuts is dangerous). ALWAYS check the fence is securely locked into position before performing cuts.

WARNING: When performing rip cuts and whenever possible, keep hands clear of the Saw Blade (2) and use the Push-Stick (38) to feed the workpiece if there is less than 152mm between the fence and the blade.

WARNING: NEVER attempt to pull the workpiece back during the cutting process. Switch the machine off and wait for the Saw Blade to stop rotating before removing the part-cut specimen.

- If the workpiece does not fit within the maximum workpiece dimensions specified within the 'Specifications', adjust the support structures to accommodate the workpiece during the cutting procedure

1. Adjust and lock the Rip Fence by closing the Rip Fence Clamps
2. Remove the Protractor Gauge (41)
3. Position the blade so the highest point is approximately 3.2mm higher than the top of the workpiece
4. Hold the workpiece flat on the table and against the Rip Fence. Keep the workpiece at least 25mm away from the Saw Blade
5. Switch the Contractor Saw 'on' and allow the Saw Blade to reach the operating speed
6. Whilst holding the workpiece against the fence and flat to the table, slowly feed the workpiece through the Saw Blade. Maintain an even pushing force until the entire workpiece has passed through the saw blade. Use the Push-Stick (38) to continue feeding the workpiece through the blade when the trailing edge is less than 150mm away

Performing a bevel rip cut

WARNING: When performing a bevel rip cut, always ensure the Rip Fence (51) is on the right hand side of the Saw Blade (2). The Saw Blade shall never be angled towards Rip Fence.

Note: This operation follows the same procedure as 'Performing a rip cut' except the Saw Blade angle is set to a value other than 0°.

- If the workpiece does not fit within the maximum workpiece dimensions specified within the 'Specifications', adjust the support structures to accommodate the workpiece during the cutting procedure

1. Unlock the Locking Lever (19) and adjust the angle of the Saw Blade (2) using the Bevel Angle Adjuster (14)
2. When the desired angle is set, lock the Saw Blade into place using the Locking Lever
3. Follow the cutting procedure as instructed in 'Performing a rip cut'

Performing a bevel cross cut

Note: This operation follows the same procedure as 'Performing a cross cut' except the angle is set to a value other than 0°.

- If the workpiece does not fit within the maximum workpiece dimensions specified within 'Specifications', adjust the support structures to accommodate the workpiece during the cutting procedure

1. Unlock the Locking Lever (19) and adjust the Saw Blade's (1) angle using the Bevel Angle Adjuster (14)
2. When the desired angle is set, lock the adjustment into place using the Locking Lever
3. Follow the cutting procedure as instructed in 'Performing a cross cut'

Accessories

- A range of accessories, including Rugged Transit Kit (TWX7RTK), Side Support (TWX7SS) and Outfeed Support (TWX7OS) is available from your Triton dealer. Spare parts can be purchased from your Triton dealer or online at www.toolsaresonline.com

Maintenance

 **WARNING:** ALWAYS disconnect the Workcentre from the power supply before cleaning, changing accessories, making adjustments, or carrying out maintenance.

 **WARNING:** ALWAYS wear protective equipment including eye protection and suitable cut-proof gloves when cleaning or carrying out maintenance.

WARNING: ALWAYS wear suitable cut-proof gloves when handling the Saw Blade (2). Not doing so may result in cuts, or harm to the operator.

Saw blade replacement

WARNING: The rated speed of the saw blade must be at least equal to the maximum speed marked on the power tool. Accessories running faster than their rated speed can break and fly apart.

1. Detach the Blade Guard (3) from the Riving Knife (6) by removing the screw securing the guard to the Riving Knife
2. Loosen the hex screw located at the infeed end of the Kerf Plate (25) and use the Kerf Plate Access Hole to release the plate, Fig. F
3. With the Locking Lever (19) unlocked, raise the Arbor (32) to its maximum height by turning the Blade Height Winder (13) clockwise
4. Lock the Blade Height Winder into position using the Locking Lever
5. Remove the old Saw Blade (2) by securing the Arbor Holder (30) with Multi Tool 1 (39), whilst simultaneously removing the Blade Securing Nut (31) with Multi-Tool 2 (40)
6. Install the two halves of the Blade Flange (33) on to the new Saw Blade, then install the blade assembly onto the Arbor, Fig. L

Note: Ensure the Saw Blade is installed in the correct orientation. The blade direction arrow found on the Saw Blade should match the direction of the arrow on the Blade Guard.

7. Fasten the new Saw Blade into place by securing the Arbor Holder with the Multi-Tool 1, whilst tightening the Blade Securing Nut with Multi-Tool 2
8. Reinstall the Kerf Plate and the Blade Guard

Kerf plate replacement

WARNING: When the Contractor Saw is subject to constant use, the kerf plate may deteriorate. The kerf plate must remain in good condition at all times. Replace if necessary.

1. Detach the Blade Guard (3) from the Riving Knife (6) by removing the screw that secures the guard to the Riving Knife

2. Loosen the hex screw located at the infeed end of the Kerf Plate (25), and use the Kerf Plate Access Hole (22) to release the plate, Fig. F
3. Install the new Kerf Plate and/or Sacrificial Plate
4. Level the Kerf Plate, see 'Kerf plate levelling' for detailed instructions
5. Reinstall the Blade Guard

Cleaning

- Keep the machine clean at all times. Dirt and dust will cause internal parts to wear quickly, and shorten the machine's service life. Clean the body of your machine with a soft brush or dry cloth. If available, use clean, dry, compressed air to blow through the ventilation holes
- Never use caustic agents to clean plastic parts. If dry cleaning is not sufficient, a mild detergent on a damp cloth is recommended
- Water must never come into contact with the tool
- Ensure the tool is thoroughly dry before use

Clearing debris blockages

1. Switch the tool 'off' and disconnect from the power supply. Detach the Blade Guard (3) from the Riving Knife (6) by removing the screw securing the guard to the Riving Knife
2. Loosen the hex screw located at the infeed end of the Kerf Plate (25), and use the Kerf Plate Access Hole to release the plate, Fig. F
3. Remove the Dust Chute Panel (12) and any vacuum connections connected to the Dust Extraction Port (9)
4. Locate and clear the debris blockage
5. Reinstall the Blade Guard, Kerf Plate, Dust Chute Panel and any vacuum connections once the blockage has been cleared

Lubrication

- Lubricate all moving parts with PTFE spray at regular intervals, especially after heavy use or cleaning

WARNING: DO NOT lubricate with oil or silicone-based maintenance sprays. Lubricant residue will combine with wood and dust, leading to dirt build-up, which may interfere with moving parts and mechanisms. Dry lubricate ONLY, using PTFE spray.

Storage

- Store this tool and its accessories after use in its case, in a dry, secure place out of the reach of children

Disposal

Always adhere to national regulations when disposing of power tools that are no longer functional and are not viable for repair.

- Do not dispose of power tools, or other waste electrical and electronic equipment (WEEE), with household waste
- Contact your local waste disposal authority for information on the correct way to dispose of power tools

Troubleshooting

Problem	Possible cause	Solution
No function when On/Off Switch is operated	No power	Check power supply
	Defective On/Off Switch	Replace the On/Off Switch at an authorised Triton service centre
Poor cutting quality	Defective blade	The blade will need replacing, see 'Saw blade replacement' for instructions on how to replace the saw blade
Cutting profiles are inconsistent with measurements	Supporting Protractor Gauge (41) or Rip Fence (51) insufficiently fastened	Refasten supporting fences and ensure there is no movement when pressure is applied
	Saw Blade (2) not calibrated	Calibrate the Saw Blade using the method described under 'Blade calibration'
	Sacrificial wood on Protractor Gauge (41) no longer provides sufficient support	Replace the sacrificial wood piece

Guarantee

To register your guarantee visit our web site at www.tritontools.com* and enter your details.

Your details will be included on our mailing list (unless indicated otherwise) for information on future releases. Details provided will not be made available to any third party.

Purchase Record

Date of Purchase: ___/___/___

Model: TWX7CS001

CE Declaration of Conformity

The undersigned: Mr Darrell Morris

as authorised by: Triton

Declares that

Identification code: TWX7CS001

Description: Contractor Saw Module

Conforms to the following directives and standards:

- Machinery Directive 2006/42/EC
- EMC Directive 2014/30/EU
- RoHS Directive 2011/65/EU
- EN61029-1:2009+A11:2010
- EN61029-2:2012
- EN55014-1:2006+A1:2009+A2:2011
- EN55014-2:1997+A1:2001+A2:2008
- EN61000-3-2:2014
- EN61000-3-3:2013

Retain your receipt as proof of purchase

Triton Precision Power Tools guarantees to the purchaser of this product that if any part proves to be defective due to faulty materials or workmanship within 3 YEARS from the date of original purchase, Triton will repair, or at its discretion replace, the faulty part free of charge.

This guarantee does not apply to commercial use nor does it extend to normal wear and tear or damage as a result of accident, abuse or misuse.

* Register online within 30 days.

Terms & conditions apply.

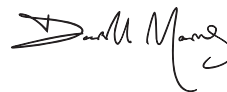
This does not affect your statutory rights

Notified body: TÜV Rheinland

The technical documentation is kept by: Triton

Date: 31/08/2016

Signed:



Mr Darrell Morris

Managing Director

Name and address of the manufacturer:

Powerbox International Limited, Company No. 06897059. Registered address: Powerbox, Boundary Way, Lufton Trading Estate, Yeovil, Somerset, BA22 8HZ, United Kingdom.

Vertaling van de originele instructies

Introductie

Hartelijk dank voor de aanschaf van dit Triton- gereedschap. Deze instructies bevatten informatie die u nodig hebt voor een veilige en doeltreffende bediening van dit product. Dit product heeft unieke kenmerken. Zelfs als u bekend bent met gelijksortige producten dient u deze handleiding zorgvuldig door te lezen, zodat u in staat bent alle voordelen te benutten. Houd deze handleiding bij de hand en zorg ervoor dat alle gebruikers van dit gereedschap de handleiding hebben gelezen en volledig hebben begrepen.

Beschrijving symbolen

Op het gegevensplaatje van uw gereedschap kunnen zich symbolen bevinden. Deze vertegenwoordigen belangrijke productinformatie en gebruiksinstructies.



Draag gehoorbescherming
Draag een veiligheidsbril
Draag een stofmasker
Draag een veiligheidshelm



Draag handschoenen



Lees de handleiding



Let op: terugslaggevaar!



Waarschuwing: scherpe bladen of tanden!



Enkel geschikt voor binnen gebruik!



Gebruik niet de regen of in vochtige omstandigheden!



Voorzichtig!



Giftige dampen of gassen!



RAAK NIET AAN! Raak de beschermkap niet aan met de machine aangesloten op de stroombron. Houd kinderen en omstanders op veilige afstand. Afdelingen leiden mogelijk tot controleverlies!



Ontkoppel de machine van de stroombron voor het maken van aanpassingen, het verwisselen van accessoires, het schoonmaken, het uitvoeren van onderhoud en wanneer de machine niet in gebruik is!



Milieubescherming

Elektrische producten mogen niet met het normale huisvuil worden weggegooid. Indien de mogelijkheid bestaat, dient u het product te recyclen. Vraag de plaatselijke autoriteiten of winkelier om advies betreffende recyclen.

Specificaties

Modelnummer:	TWX7CS001
Vermogen:	1800 W
Onbelaste snelheid:	4500 min ⁻¹
Carbide metaal zaagblad:	EN 847-1 voldaan 254 x 30 x 2,6 mm, 40 tanden
Tafelzaag module format L x B x H:	679 x 422 x 449 mm
Max. schulpcapaciteit:	775 mm
Max. zaagdiepte op 90°:	86 mm +/-1 mm
Max. zaagdiepte op 45°:	59,5 mm +/-1 mm
Tafelbreedte met verlengstuk:	+600 mm
Tafelbreedte zonder verlengstuk :	+670 mm
Max. werkstuk format L x B:	851 x 775 mm (zonder zij- en uitvoerondersteuning)
Stofpoort formaat:	64,5/ 32,6 mm
Gewicht:	15 kg
Geluid en trilling	
Geluidsdruk L_{PA}:	92,3 dB(A)
Geluidsvermogen L_{WA}:	104,6 dB(A)
Onzekerheid K:	2,5 dB
De geluidsintensiteit voor de bediener kan 85 dB(A) overschrijden en de gehoorbescherming is noodzakelijk.	

WAARSCHUWING: Bij een geluidsintensiteit van 85 dB(A) of hoger is het dragen van gehoorbescherming en het limiteren van de blootstellingstijd vereist. Bij oncomfortabel hoge geluidsniveaus, zelfs met het dragen van gehoorbescherming, stopt u het gebruik van de machine onmiddellijk. Controleer de pasvorm en het geluiddempingsniveau van de bescherming.

WAARSCHUWING: Blootstelling aan trilling resulteert mogelijk in gevoelloosheid, tinteling en een verminderd gripvermogen. Langdurige blootstelling kan leiden tot chronische condities. Limiteer de blootstellingsduur en draag anti-vibratie handschoenen. Vibratie heeft een grotere invloed op handen met een temperatuur lager dan een normale, comfortabele temperatuur. Maak gebruik van de informatie in de specificaties voor het berekenen van de gebruiksduur en frequentie van de machine.

Geluid- en trillingsniveaus in de specificatie zijn vastgesteld volgens EN60745 of een gelijksortige internationale norm. De waarden gelden voor een normaal gebruik in normale werkomstandigheden. Een slecht onderhouden, onjuist samengestelde of onjuist gebruikte machine produceert mogelijk hogere geluids- en trillingsniveaus. www.osha.europa.eu biedt informatie met betrekking tot geluids- en trillingsniveaus op de werkplek wat mogelijk nuttig is voor regelmatige gebruikers van machines.

Algemene veiligheid

WAARSCHUWING: Bij het gebruik van elektrische machines horen basis veiligheidsvoorzorgmaatregelen opgevolgd te worden om de kans op brand, elektrische schokken en persoonlijk letsel te minimaliseren. Lees de instructies voor gebruik volledig door en bewaar deze bij de machine voor toekomstig gebruik.

WAARSCHUWING: De machine is niet geschikt voor gebruik door personen met een verminderde mentale of fysieke bekwaamheid of een gebrek aan ervaring, tenzij de persoon wordt begeleid of geïnstrueerd door een persoon verantwoordelijk voor de veiligheid

LET OP: Het gebruik van de machine voor doeleinden, anders dan waarvoor de machine is bestemd resulteert mogelijk in gevaarlijke situaties en serieus persoonlijk letsel

De term “elektrisch gereedschap” in alle hieronder vermelde waarschuwingen heeft betrekking op uw elektrische gereedschap dat op de stroom is aangesloten (met een snoer) of met een accu wordt gevoed (snoerloos).

1 - **Veiligheid in de werkuimte** - Rommelige en donkere ruimtes leiden vaak tot ongelukken.

2 - **Denk aan de werkplaatsomgeving**

- Stel gereedschap niet bloot aan regen
- Gebruik gereedschap niet in vochtige of natte omstandigheden
- Houdt uw werkplaats goed verlicht
- Gebruik gereedschap niet in de nabijheid van ontvlambare vloeistoffen of gassen

3 - **Bescherm uzelf tegen elektrische schok** – Voorkom het contact met gearde oppervlakken (als leidingen, radiatoren, koelkasten).

4 - **Houd kinderen en omstanders uit de buurt** – Laat mensen, vooral kinderen, de machine en verlengsnoeren niet aanraken en houd ze op afstand

5 - **Berg gereedschap wat niet in gebruik is op** – Berg gereedschap dat niet in gebruik is op een droge plek, buiten het bereik van kinderen op

6 - **Forceer gereedschap niet** – Uw machine functioneert optimaal op de bestemde gebruikssnelheid

7 - **Gebruik de juiste machine** – Forceer kleine machine niet voor het uitvoeren van grote werkzaamheden.

Gebruik gereedschap niet voor doeleinden waarvoor ze niet bestemd zijn.

8 - **Draag de juiste uitrusting**

- Loshangende kleding en sieraden kunnen door bewegende onderdelen gegrepen worden
- Het dragen van niet-slippende schoenen is aangeraden voor buitenwerk
- Bedek lang haar

9 - **Draag de benodigde beschermingsmiddelen**

- Draag een veiligheidsbril
- Draag een stofmasker bij stof producerende werkzaamheden

WAARSCHUWING: Wanneer de beschermende uitrusting niet gedragen wordt is de kans open ongeval groter en is de ernst van voorvallende ongevallen groter

10 - **Sluit gereedschap op een stof-ontginningssysteem aan** – Wanneer de machine is voorzien van een stofpoort, sluit u deze op een ontginningssysteem aan

11 - **Misbruik het stroomsnoer niet** – Trek nooit aan het stroomsnoer om de stekker uit het stopcontact te halen. Houdt het stroomsnoer uit de buurt van warmte, olie en scherpe randen. Beschadigde snoeren vergroten de kans op elektrische schok

12 - **Klem uw werk vast** – Klem uw werkstuk wanneer mogelijk stevig vast

13 - **Reik niet te ver** - Blijf altijd stevig en in balans staan

14 - **Onderhoud uw gereedschap zorgvuldig**

- Het scherp en schoon houden van snijgereedschap zorgt voor een gemakkelijker machine controle en een kleinere kans op het buigen en breken
- Volg smeerinstructies op
- Controleer stroomsnoeren regelmatig op beschadiging en laat deze bij een geautoriseerd service center repareren
- Laat stroomsnoeren bij een geautoriseerd service center vervangen
- Houdt handvaten schoon, droog en vrij van olie en vet

WAARSCHUWING: Velen ongelukken worden veroorzaakt door slecht onderhouden machines

15 - **Ontkoppel machines van de stroombron** – wanneer niet in gebruik, voor onderhoud en bij het vervangen van accessoires ontkoppelt u de machine van de stroombron

16 - **Vervijder sleutels** – Maak van het controleren op gereedschapssleutels een gewoonte

17 - **Voorkom onnodig starten** – Zorg ervoor dat de aan-/uitschakelaar bij het aansluiten op de stroombron, het plaatsen van een accu of het vervoeren in de uit-positie staat

WAARSCHUWING – Het onnodig starten van de machine kan leiden tot serieuze verwondingen

18 - **Het gebruik van buiten verlengsnoeren** – Wanneer gereedschap buiten gebruikt wordt, maakt u gebruik van verlengsnoeren, geschikt voor buiten. Dit vermindert de kans op elektrische schok

19 - **Blijf alert**

- Houd uw aandacht op het werk, gebruik uw gezonde verstand en gebruik machines niet wanneer vermoeid
- Gebruik het elektrisch gereedschap niet wanneer u vermoeid bent of onder invloed van drugs, alcohol of medicijnen

WAARSCHUWING: Onoplettendheid tijdens het bedienen van elektrisch gereedschap kan leiden tot ernstig letsel

20 - **Controleer beschadigde onderdelen**

- Controleer voor verder gebruik of de machine als bestemd functioneert
- Controleer bewegende delen op uittijning, beschadiging, montage en andere gesteldheden die gebruik van de machine mogelijk beïnvloeden
- Een beschadigde beschermkap hoort bij een geautoriseerd service center gerepareerd of vervangen te worden, tenzij anders vermeld in deze handleiding
- Laat defecte schakelaars bij een geautoriseerd service center repareren

WAARSCHUWING: Gebruik de machine niet met een defecte aan-/uitschakelaar. De schakelaar hoort voor gebruik gerepareerd te worden

21 - **Laat uw machine te allen tijde door een gekwalificeerd persoon repareren** – Laat uw machine te allen tijde door een gekwalificeerd persoon repareren om gevaarlijk gebruik te vermijden

WAARSCHUWING: Maak bij onderhoud enkel gebruik van identieke vervangende onderdelen

WAARSCHUWING: Laat een beschadigd stroomsnoer door de verkoper of een geautoriseerd service center vervangen

22 - **Stekker horen overeen te komen met het te gebruiken stopcontact** – Stekkers mogen niet aangepast worden. Gebruik geen adapters op gearde machines. Overeenkomende stekkers en stopcontacten verminderen de kans op elektrische schok

23 - **Indien het onvermijdelijk is elektrisch gereedschap te gebruiken in een vochtige omgeving, gebruik dan een energiebron met een aardlek beveiliging (Residual Currency Device).** Het gebruik van een RCD vermindert het risico op een elektrische schok

WAARSCHUWING: Wanneer de machine in Nieuw-Zeeland gebruikt wordt, met een lekstroom van 30 mA of lager, is het gebruik van een aardlekschakelaar aanbevolen

WAARSCHUWING: Voordat u de machine op de stroombron aansluit controleert u of het voltage van de stroombron overeenkomt met het voltage op het gegevensplaatje op de machine. Een stroombron met een hogere spanning kan zorgen voor ernstige verwondingen aan de gebruiken en schade aan de machine. Een stroombron met een lagere spanning kan de motor beschadigen. Plug de stekker bij twijfel niet in de stroombron.

Gepolariseerde stekkers (enkel voor Noord-Amerika) Voor het verminderen van het risico op elektrische schok, is de eenheid voorzien van een gepolariseerde stekker (Een blad is breder dan de andere). De stekker past slechts op één manier in een gepolariseerd contactpunt. Wanneer de stekker niet volledig in het contactpunt past, draait u de stekker om. Wanneer de stekker nog steeds niet past, neemt u contact op met een gekwalificeerd elektricien. De plug mag in geen enkele manier aangepast worden.

Tafelzaag veiligheid

WAARSCHUWING: Bij het gebruik van de tafelzaag is het dragen van de geschikte beschermende uitrusting, waaronder een veiligheidsbril, beschermende handschoenen en een stofmasker aanbevolen. Zorg ervoor dat mensen in de werkomgeving de geschikte beschermende uitrusting dragen en houdt omstanders op een veilige afstand

WAARSCHUWING: Sluit de stofpoort op de beschermkap op een geschikt ontginningssysteem aan. Sommige houtstoffen zijn giftig en kunnen allergische reacties veroorzaken, vooral fijne stofdeeltjes. Naast de aansluiting op een stof ontginningssysteem is het dragen van een stofmasker aanbevolen

WAARSCHUWING: De onbelaste snelheid van het zaagblad dient minimaal gelijk te zijn aan de maximale snelheid van de machine. Accessoires die sneller roteren dan de onbelaste snelheid breken mogelijk tijdens gebruik

- Maak enkel gebruik van compatibele cirkelzagen (zie: 'Specificaties').** Zorg ervoor dat het spouwmes niet dikker dan de dikte van de zaagsnede en niet dunner dan het zaagblad is
- Zorg ervoor dat de werkuimte veilig is, met voldoende verlichting en zonder enige obstructies en andere mogelijke gevaren**
- Probeer geen metaal of beton bevattende gipsplaat producten te zagen op de tafelzaag.** De tafelzaag is enkel geschikt voor het zagen van hout en soortgelijke materialen
- Gebruik de tafelzaag niet voor het vormen van sierlijsten.** De compatibele zaagbladen en tafelopzet zijn niet compatibel met deze zaagfunctie
- De werkuimte dient te allen tijde voldoende geventileerd te zijn.** Verwijder zaagsel regelmatig van de machine voor het voorkomen van een potentieel brandgevaar
- Probeer zaagsel en stof niet wanneer van het zaagblad te verwijderen wanneer het zaagblad draait.** Schakel de cirkelzaag uit, ontkoppel deze van de stroombron en wacht tot het zaagblad volledig stil staat. Om de kans op persoonlijk letsel te voorkomen draagt u beschermende handschoenen
- Laat de cirkelzaag niet onbeheerd achter wanneer deze is ingeschakeld.** Wanneer de machine is uitgeschakeld wacht u tot het zaagblad volledig stil staat voordat u de tafelzaag onbeheerd achter laat
- Lees de instructies in de terugslag beveiliging paragraaf en volg de instructies op bij het gebruik van een tafelzaag**
- Voed het werkstuk in het zaagblad, tegen de rotatierichting van het zaagblad in.** De rotatierichting is aangegeven door de gevormde pijl in het tafelopervlak
- Bij het maken van schulpsneden is het gebruik van de geleider aanbevolen.** Zorg ervoor dat de geleider parallel op het blad ligt en aan beide uiteinden vergrendeld is
- Houdt het werkstuk tijdens gebruik stevig tegen de geleider of afschuijningsmeter.** Gebruik de geleider niet tegelijkertijd met de afschuijningsmeter
- De blad beschermkap en het spouwmes dienen nooit verwijderd te worden**
- Bij het schulpzagen van smalle werkstukken is het gebruik van de duwstok aanbevolen, zodat uw hand niet in de buurt van het zaagblad komt.** De duwstok dient smaller dan het werkstuk te zijn om het contact tussen stok en zaagblad te voorkomen. Gebruik een drukelement bij het uitvoeren van andere zaagsneden. Berg de duwstok samen met de zaag op wanneer niet in gebruik
- Oefen geen sneden uit de vrije hand uit en zaag niet met enkel de ondersteuning van uw handen.** Maak te allen tijde gebruik van een geleider voor het positioneren en geleiden van uw werkstuk
- Raak niet blind over of in een afstand van 75 mm van het zaagblad**
- Verwijder de schulpgeleider bij het maken van een afkort snede.** Gebruik een schulpgeleider NOOIT als meter bij het afkorten
- Probeer een vastgelopen zaagblad niet te bevrijden met een ingeschakelde machine.** Schakel de machine ALTIJD uit en ontkoppel de machine van de stroombron
- Ondersteun grote werkstukken aan beide zijden van de machine en wanneer nodig aan de zijanten.** Gebruik wanneer mogelijk een rolleerstein
- Laat het werkstuk nooit los voordat het volledig voorbij het zaagblad geleid is.** Gebruik wanneer nodig een duwstok
- Voorkom het zagen van onregelmatig gevormde werkstukken, zonder rechte zijde langs de geleider**
- Zaag geen ronde voorwerpen met de tafelzaag.** Gebruik tafelizegen niet voor het zagen van brandhout stammen
- Voorkom onhandige taken en handposities.** Plots uitglijden of grip verlies kan leiden tot contact tussen het zaagblad en een lichaamsdeel
- Inspecteer de keelplaat voor elk gebruik.** Vervang de plaat wanneer beschadigd of versleten
- Maak enkel gebruik van compatibele accessoires, genoemd in deze handleiding.** Het gebruik van niet compatibele accessoires is mogelijk gevaarlijk en kan leiden tot serieus letsel en eigendom beschadiging. Volg alle veiligheidsinstructies, voorzien bij het accessoire, ALTIJD op
- Schakel de machine uit voordat u deze ontkoppeld van de stroombron.** Dit voorkomt accidentele inschakeling
- Bij het hanteren van zaagbladen is het dragen van geschikte beschermende handschoenen aanbevolen.** Dit beschermt u tegen sneden en mogelijk ernstig letsel

Terugslag veiligheid

Let op: Terugslag is een plotselinge reactie op een vastlopend, geforceerd of een foute uittijning van het zaagblad, waardoor de zaag uit het materiaal omhoog, naar de gebruiker wordt geschoten. Tevens kan uw hand in het zaagblad getrokken worden

WAARSCHUWING: Terugslag is het gevolg van misbruik en/of onjuiste gebruikprocedures of –omstandigheden, en kan voorkomen worden door het volgen van de volgende voorzorgsmaatregelen:

- Het spouwmes dient te allen tijde gebruikt te worden.** Dit voorkomt het sluiten van de gezaagde delen in de richting van het zaagblad
- Gebruik de machine niet met een gebogen, bot of beschadigd zaagblad.** Zorg ervoor dat het zaagblad geschikt is voor het uit te voeren werk
- Zorg ervoor dat de schulpgeleider parallel op het blad ligt.** Wanneer de geleider naar binnen kantelt komt het werkstuk mogelijk in contact met de achterzijde van het zaagblad waardoor het mogelijk terug, in de richting van de gebruiker wordt afgevuurd
- Gebruik de schulpgeleider en afkortmeter nooit tegelijkertijd.** Dit resulteert mogelijk in terugslag en serieus letsel
- Ben voorzichtig bij het zagen van grote platen.** Zorg ervoor dat grote werkstukken goed ondersteund worden
- Zaag geen ronde werkstukken, of werkstukken die niet plat op de tafel kunnen liggen.** Voorkom het zagen van gedraaid of geknoot hout
- Zaag geen nat hout waar dit zorgt voor een hogere wrijving tegen het zaagblad.** Nat zaagsel kan zich op het zaagblad ophopen wat kan resulteren in terugslag
- Zorg voor een constante, goede grip op de machine, en houd uw handen in de juiste positie om terugslag te weerstaan**

- i) **Ga niet in lijn staan met het zaagblad**
- j) **Trek het werkstuk niet terug midden in een zaagsnede.** Wanneer u de snede moet onderbreken, stopt u de machine en verwijdert u het werkstuk wanneer het zaagblad volledig tot stilstand gekomen is
- k) **Voorkom het vallen van werkstukken op het zaagblad.** Gebruik de machine niet voor het uitvoeren van inval zaagsneden
- l) **Gebruik wanneer mogelijk een duwstok om het werkstuk door het zaagblad te leiden.** Gebruik wanneer drukelementen om het werkstuk op de tafel te drukken

Productbeschrijving

1. Netstroom stekker
2. Zaagblad
3. Blad beschermkap
4. Beschermkap stofpoort
5. Beschermkap montageschroeven
6. Spouwmes
7. Spouwmes vergrendelschroef
8. Koolstofborstel doppen
9. Stofpoort
10. Module uitlijningsschroeven
11. Moduleroller
12. Stofcilinderpaneel
13. Blad hoogte stelhendel
14. Afschuivingshoek steller
15. 45° trimschroef
16. 0° trimschroef
17. Afschuivingshoekmeter
18. Hoek kalibratieschroef
19. Vergrendelhendel
20. Duimgaten
21. Handgleuven
22. Kerfplaat toegangsgat
23. Tafelblad uitlijningsschroef
24. Kerf uitlijningsschroef
25. Kerfplaat
26. Inlegplaat
27. Uittijningswiel
28. Module uitlijningsschroef
29. Module tafelloppervlak
30. Ashals houder
31. Blad vergrendelmoer
32. Ashals
33. Blad flens
34. Vergrendelknop
35. Spouwmes stelschroef
36. Montagetab
37. Montageschroef
38. Duwstok
39. Multitool 1
40. Multitool 2
41. Gradenboog
42. Gradenboog vergrendelknop
43. Verstelbare voorgeleider
44. Steunbeugel
45. 45° hoekgeleider
46. Hoekgleuf
47. Gradenboog schaal
48. Hoekwijzer
49. Gradenboogkam
50. Hoek stelknop
51. Schulpgeleider
52. Schulpgeleider arm

Gebruiksdoel

Een effectieve tafellaag, geschikt voor afschuiven, schulpen en afkorten. Inclusief gradenboog en schulpgeleider. Geschikt voor het zagen van hout en gelijksoortige materialen. Compatibel met het TXX7 Triton Workcenter en accessoires.

Het uitpakken van uw gereedschap

- Pak uw toestel / gereedschap uit. Inspecteer het en zorg dat u met alle kenmerken en functies vertrouwd raakt
- Controleer of alle onderdelen aanwezig zijn en in goede staat verkeren. Als er onderdelen ontbreken of beschadigd zijn, zorg dan dat deze vervangen worden voor u dit toestel / gereedschap gebruikt

BELANGRIJK: Lees deze instructies, samen met de instructies van uw Triton Workcenter

Voor onze instructievideo, surf naar www.tritontools.com

Voor gebruik

WAARSCHUWING: Ontkoppel de machine van de stroombron voordat u accessoires wisselt of enige aanpassingen maakt

WAARSCHUWING: Bij het hanteren van zaagbladen is het dragen van beschermende handschoenen aanbevolen, om de kans op persoonlijk letsel te voorkomen

Module uitlijningsschroef installatie

- Plaats de zaagmodule op een stevig, vlak oppervlak en installeer de tafelblad uitlijningsschroeven (23), module uitlijningsschroeven (28) en de modulerollers (11) als afgebeeld in Fig. A

Het installeren en uitnemen van de module

WAARSCHUWING: Draag de zaagtafel module enkel bij de handgleuven (21)

Let op: Voor het installeren/uitnemen van de module, dient het zaagblad (2) in de 45° positie geplaatst te worden. Zie: 'Bladverstelling' voor gedetailleerde instructies betreft het stellen van de bladhoek

Module installatie

WAARSCHUWING: Verlaag het zaagblad (2) naar een veilige hoogtepositie voordat de module geïnstalleerd/uitgenomen wordt

WAARSCHUWING: Sommige modules zijn erg zwaar, vooral met de bevestiging van een machine. Houdt de module bij de handgleuven (21) vast en neem een stabiele houding aan. Voorkom onnatuurlijke bewegingen

BELANGRIJK: Laat modules voorzichtig zakken met behulp van de duimgaten (20). Het ongecontroleerd laten zakken van de module kan resulteren in Workcenter, module en machinebeschadiging en mogelijk persoonlijk letsel

WAARSCHUWING: Vingers en andere lichaamsdelen dienen niet tussen de module en het Workcenter geplaatst te worden. Zie Fig. B

- Schuif de modulerollers (11) in de module montagegeleiders en laat de module langzaam in plaats zakken, zie Fig. B
- Schakel beide module sloten in de vergrendelpositie, Fig. C

Let op: Zorg ervoor dat de tafelblad uitlijningsschroeven (23) juist in de groeven vallen. De module uitlijningsschroeven (28) dienen verstelt te worden, om speling tussen de module en het Workcenter te voorkomen

Module uitname

- Plaats de modulesloten in de ontgrendelpositie. Til de module via de duimgaten uit het frame en schuif de modulerollers (11) uit de gleuven, zie Fig. B

Het uitlijnen van de module

- Lijn de module uit met gebruik van de tafelblad uitlijningsschroeven (23) en de module uitlijningsschroeven (28), in de volgorde afgebeeld in Fig. D
- Controleer, met gebruik van een rechte rand, of de module evenwijdig ligt aan het tafelloppervlak, als afgebeeld in Fig. E. Wanneer de module niet evenwijdig ligt aan het tafelloppervlak, herhaalt u bovenstaande stap

Het samenstellen van de zaagtafel module

- Zie Afb. A – L samen met onderstaande informatie voor het samenstellen van de module

Spouwmes installatie

WAARSCHUWING: Zorg ervoor dat het spouwmes (6) voor gebruik juist in positie vergrendeld is

1. Met het zaagblad (2) in de 0° positie, verhoog het blad in de maximale hoogtepositie met gebruik van de hoogte stelhendel (13)
2. Draai de zeskantsleutel aan de invoer zijde van de kerfplaat (25) los en gebruik het kerfplaat toegangsgat (22) om de plaat te verlossen, Afb. F
3. Schuif het spouwmes (6) in de montagebeugel en draai de vergrendelknop (34) vast, Fig. G

Kerfplaat uitlijning

WAARSCHUWING: Zorg ervoor dat de kerfplaat(25) voor gebruik juist uitgelijnd is

1. Lijn de kerfplaat uit met gebruik van de uitlijningsschroeven (24)
2. Controleer, met gebruik van een rechte rand, of de plaat evenwijdig ligt aan het omliggend tafelblad. Wanneer de plaat niet evenwijdig ligt aan het tafelloppervlak, herhaalt u bovenstaande stap

Blad verstelling

- Voor het verstellen van de zaagblad (2) hoek:

1. Ontgrendel de vergrendelhendel (19)
2. Draai de afschuivingshoek steller (14) voor het verstellen van de bladhoek
3. Gebruik de afschuivingshoekmeter (17) voor het controleren van de bladhoek

- Verstel de bladhoogte door de hoogte stelhendel (13):
- Rechtsom te draaien voor het verhogen van het zaagblad
- Linksom voor het verlagen van het zaagblad

Blad kalibratie

Let op: Verwijs naar Fig. H voor het kalibreren van het zaagblad (2)

1. Verhoog het zaagblad (2) in de maximale hoogte met gebruik van de stelhendel (13)
2. Gebruik de afschuivingshoek steller (14) om het zaagblad in een rechte hoek op het tafelloppervlak te stellen
3. Plaats een zweelhaak (niet inbegrepen) plat tegen het tafelloppervlak en tegen het blad
4. Draai de 0° trimschroef (16) los
5. Stel de zaagbladhoek zodat deze parallel aan de zweelhaak staat
6. Draai de hoek kalibratieschroeven (18) los en lijn de rode schijf met de '0' op de afschuivingshoekmeter (17) uit
7. Vergrendel het zaagblad in positie met gebruik van de vergrendelhendel (19)
8. Draai de 0° trimschroef vast
9. Draai de 45° trimschroef (15) los
10. Plaats het zaagblad in de 45° positie
11. Draai de 45° trimschroef vast en controleer of de 45° markering zichtbaar is op de hoekmeter. Wanneer de 45° markering niet zichtbaar is op de meter herhaalt u stappen 9-11

Spouwmes uitlijning

1. Met het zaagblad in de 0° positie, verhoog het zaagblad (2) in de maximale hoogte met gebruik van de stelhendel (13)
2. Draai de zeskantschroef aan de invoerzijde van de kerfplaat (25) los en gebruik het kerfplaat toegangsgat (22) om de plaat te verlossen, Afb. F
3. Draai de spouwmes stelschroef (35) en spouwmes vergrendelschroef (7) los
4. Plaats twee rechte randen, bijvoorbeeld een liniaal, tegen de zijkant van het zaagblad en het spouwmes
5. Verwijder de rechte randen en draai de stelschroef vast, gevolgd door de vergrendelschroef
6. Controleer of het spouwmes uitgelijnd is met het zaagblad. Wanneer het spouwmes niet juist is uitgelijnd, herhaalt u stappen 3-5
7. Plaats de kerfplaat op de eenheid wanneer het spouwmes juist is uitgelijnd

Schulpgeleider

- Klap de schulpgeleider armen (52) uit en schuif deze in de schulpgeleider groeven van het Workcenter frame, Fig. I
- De armen zijn voorzien van een schaalverdeling. Wanneer u deze gebruikt in combinatie met de schulpgeleider positie indicator, zijn nauwkeurige breedtemetingen vast te stellen

Gradenboog

- Draai de gradenboog vergrendelknop (42) los en schuif de gradenboogkam (49) in de T-gleuf van het Workcenter frame, Fig. J
- Draai de gradenboog vergrendelknop vast om de Gradenboog (41) te vergrendelen
- Verstel de hoek door de hoek stelknop (50) los te draaien en de gradenboog in de gewenste hoek te plaatsen
- De hoek wordt aangeduid op de hoekwijzer (48)
- Verstel de verstelbare voorgeleider (43) door de twee zeskantbouten los te draaien
- Draai de gradenboog om en stel de hoek op 0°, voor het gebruik van de 45° hoekgeleider (45) voor het verkrijgen van een nauwkeurige 45° snede

Stofontginning

WAARSCHUWING: Maak te allen tijde gebruik van een geschikte stofzuiger of werkplaats ontginningssysteem

WAARSCHUWING: Sommige zaagsel van natuurlijk hout, oppervlakte coatings en composiet materialen zijn giftig. Gooi schadelijk zaagsel volgens wetten en regelgeving weg

- Stofzuigerzakken raken erg snel vol. Voor het optimaliseren van de opvangcapaciteit, maakt u gebruik van de Triton opvangemmer (DCA300)
- De gecombineerde stroomvraag van de zaagmachine en de stofzuiger overschrijd de maximale stroomsterkte van de verlengsnoer of stroombron. Sluit de zaagmachine en stofzuiger te allen tijde op verschillende stroombronnen aan en schakel de machine apart van elkaar in

Elektrische aansluitingen

Let op: Het Workcenter is voorzien van een machine aansluitcontact, voor een gemakkelijke aansluiting van elektrische machines, Fig. K


Sluit het Workcenter met behulp van de stekker op de netstroom aan

- Sluit de gewenste elektrische machine op het aansluitcontact aan

1. Elektrische machines moeten op het aansluitpunt van het Workcenter aangesloten worden
2. Gebruik wanneer vereist een verlengsnoer om de stroomsnoer van het Workcenter te verlengen

WAARSCHUWING: Maak enkel gebruik van verlengsnoeren die in goede staat verkeren en de juiste diameter voor het dragen van de vereiste machinespanning. Verlengsnoeren met een te kleine diameter zorgen voor vermogensverlies, oververhitting en motorbeschadiging

Gebruik

 **WAARSCHUWING:** Bij het gebruik van de machine is het dragen van de geschikte beschermende uitrusting, waaronder een stofmasker en werkhandschoenen aanbevolen

BELANGRIJK: De zaagmodule is voorzien van een voedrichting – deze geeft de juiste en veilige richting van het werkstuk weer

WAARSCHUWING: Over-balanceer het Workcenter niet door het gebruik van grote werkstukken

WAARSCHUWING: Zorg ervoor dat de kerfplaat (25) juist uitgelijnd is

Let op: Verwijs naar uw **TWX7 Workcenter handleiding voor volledige informatie en tabellen die verwijzen naar de Workcenter onderdelen**

Workcenter schakeldoos

BELANGRIJK: De schakeldoos vereist een netstroom aansluiting. Wanneer het Workcenter van de stroombron ontkoppeld wordt, schakelt de schakeldoos automatisch in de uit-stand

In- en uitschakelen

1. De aan-/uitschakelaar bevindt zich aan de voorkant van het Workcenter frame, Fig. K
2. Sluit het Workcenter op de netstroom aan
3. Schakel de schakelaar van het Workcenter in de '0' positie, door de knie stopknop in te drukken
4. Sluit de stekker van de elektrische machine op het contact van het Workcenter aan
5. Schakel de machine in door de schakelaar in de '1' stand te schakelen

- Druk de knie stopknop in

Let op: Wanneer de stroomtoevoer tijdens gebruik onderbroken wordt, dient de aan-/uitschakelaar geactiveerd te worden

Gebruikerspositie en voedrichting

- De gebruikerspositie is vastgesteld door de locatie van de knie stopknop
- De knie stopknop dient te allen tijde binnen kniebereik te zijn, zodat de machine in geval van nood onmiddellijk uitgeschakeld kan worden
- Voed werkstukken in de richting, aangeduid door de pijlen op het module tafelopppervlak (29)

Het gebruik van tafolverlengstukken (verkrijgbaar als accessoire)

- De (optionele) Workcenter uitvoer ondersteuningsbeugel (TWX7OS) en Workcenter zijsteun (TWX7SS) zijn te gebruiken voor het voorzien van stevige ondersteuning voor grotere werkstukken. Draai de ondersteuningsbeugelknoppen en/of zijsteunknoppen los en verstel de beugel en zijsteun, passend bij het te bewerken werkstuk

Het verstellen van de Gradenboog

Let op: Voor het optimaliseren van de gebruiksduur van de Gradenboog (41), is het bevestigen van een vervangbaar houtje aanbevolen

1. Draai de gradenboog vergrendelknop (42) en de hoek stelknop (50), met de Gradenboog in de T-gleuf, los
 2. Verstel de hoek van de Gradenboog. De hoek wordt weergegeven op de hoekwijzer (48)
 3. Draai de hoek stelknop stevig vast, tot u weerstand voelt, om de Gradenboog in de T-gleuf te vergrendelen
- Wanneer een 45° hoek vereist is:
 1. Verwijder de Gradenboog en installeer opnieuw zodat de verstelbare voorgeleider (43) volgt
 2. Zorg ervoor dat 0° op de hoekwijzer wordt weergegeven en draai de stelknop vast
 3. Gebruik de 45° hoekgeleider (45) voor het vergrendelen van het werkstuk

Duwstok gebruik

WAARSCHUWING: Het zagen van kleine werkstukken is mogelijk erg gevaarlijk en verweist het gebruik van de duwstok

- Een duwstok (38) is inbegrepen. Het is mogelijk vereist gebruik te maken van meerdere duwstokken voor het optimaliseren van de gebruiksveiligheid
- Bij het zagen van werkstukken met een kleine diameter is het gebruik van meerdere duwstokken vereist, om het werkstuk dicht bij het zaagblad (2) houden

Zagen

WAARSCHUWING: Het deel van het werkstuk, dicht bij het zaagblad (2), dient niet gehanteerd te worden wanneer de machine is ingeschakeld en/of het zaagblad roteert. Zo voorkomt u persoonlijk letsel

WAARSCHUWING: Houdt uw handen te allen tijde uit de buurt van het zaagblad en zaagpad

WAARSCHUWING: Werkstukken dienen niet teruggetrokken te worden in het midden van een snede. Schakel de machine uit en wacht tot het zaagblad stilstaat voordat u gedeeltelijk gezaagde werkstukken terugtrekt

WAARSCHUWING: Bij het zagen van werkstukken, langer en/of breder dan de werktafel, is het gebruik van geschikte ondersteuning vereist. De (optionele) Workcenter uitvoer ondersteuningsbeugel (TWX7OS) en Workcenter zijsteun (TWX7SS) zijn verkrijgbaar bij uw Triton handelaar

WAARSCHUWING: Zorg ervoor dat het Workcenter op een vlak en stevig oppervlak staat. Voordat u het Workcenter gebruikt, controleert u of deze stevig staat. Het gebruik van het Workcenter op oneven en zachte ondergronden is gevaarlijk en leidt mogelijk tot ernstige ongelukken en persoonlijk letsel

Het maken van een afkort snede

WAARSCHUWING: Om het afvuren van het afgezaagde stuk te voorkomen, voorkomt u het klemmen van het werkstuk met de schulpgeleider (51). Gebruik de gradenboog (41) om het werkstuk tijdens het zagen te ondersteunen

- Wanneer het werkstuk niet voldoet aan de maximale werkstuk afmetingen, zie 'Specificaties', past u de steunstructuur aan

1. Plaats de schulpgeleider uit de buurt van het zaagpad. Stel de gradenboog (41) in de gewenste hoek en vergrendel deze in positie
 2. Plaats het zaagblad (2) in de positie zodat het hoogste punt ongeveer 3,2 mm hoger is dan de bovenzijde van het werkstuk
 3. Houdt het werkstuk stevig, met de hand het dichtste bij het zaagblad, tegen de gradenboog aangedrukt en plaats de andere hand op het werkstukdeel wat het verst van het zaagblad afgift, voor een optimale ondersteuning
 4. Schakel de zaag in en laat het zaagblad volledig op snelheid komen
 5. Ondersteun het werkstuk stevig, als beschreven in stap 3 en geleid het werkstuk langzaam door het zaagblad
- Let op:** Voordat u het afgezaagde deel verwijdert, schakelt u de machine uit en laat u het zaag blad volledig tot stilstand komen

Het maken van een afschuiningssnede

- Wanneer het werkstuk niet voldoet aan de maximale werkstuk afmetingen, zie 'Specificaties', past u de steunstructuur aan

1. Stel de gradenboog (41) in de gewenste hoek en vergrendel deze in positie. Voor instructies betreft gradenboog verstelling verwijst u naar 'Het verstellen van de gradenboog'
2. Verwijs naar 'Het maken van een afkort snede' voor zaagprocedure instructies

Het maken van een schulpsnede

WAARSCHUWING: Bij het maken van schulpsneden is het gebruik van de schulpgeleider (51) vereist (het maken van sneden uit de vrije hand is uiterst gevaarlijk). Controleer of de geleider juist in positie vergrendeld is voordat u de zaagsnede uitvoert

WAARSCHUWING: Bij het maken van schulpsneden, en wanneer mogelijk bij het maken van andere zaagsneden, houd u uw handen uit de buurt van het zaagblad (2). Wanneer de afstand tussen de geleider en het blad minder dan 152 mm is, maakt u gebruik van de duwstok (38)

WAARSCHUWING: Werkstukken dienen niet teruggetrokken te worden in het midden van een snede. Schakel de machine uit en wacht tot het zaagblad stilstaat voordat u gedeeltelijk gezaagde werkstukken terugtrekt

- Wanneer het werkstuk niet voldoet aan de maximale werkstuk afmetingen, zie 'Specificaties', past u de steunstructuur aan

1. Verstel en vergrendel de schulpgeleider door de geleider klemmen vast te draaien
2. Verwijder de gradenboog (41)
3. Plaats het zaagblad (2) in de positie zodat het hoogste punt ongeveer 3,2 mm hoger is dan de bovenzijde van het werkstuk
4. Houdt het werkstuk plat op de tafel en tegen de schulpgeleider. Houdt het werkstuk minimaal 25 mm van het zaagblad verwijderd
5. Schakel de zaag in en laat het zaagblad volledig op snelheid komen
6. Terwijl u het werkstuk plat op de tafel en tegen de geleider gedrukt houdt, geleid u het werkstuk langzaam door het zaagblad. Houd een constante drukkracht en snelheid aan tot het werkstuk het zaagblad volledig gepasseerd heeft. Gebruik de duwstok (38) voor het voeden van het werkstuk wanneer het werkstuk minder dan 150 mm van het verwijderd is

Het maken van een versteksnede

WAARSCHUWING: Bij het maken van versteksneden is het gebruik van de schulpgeleider (51) aan de rechter zijde van het zaagblad (2) aanbevolen. Het zaagblad zal zo nooit in de richting van de geleider gehoekt worden

Let op: Volg dezelfde procedure op als bij het maken van een afschuiningssnede. Stel het blad in een hoek anders dan 0°

- Wanneer het werkstuk niet voldoet aan de maximale werkstuk afmetingen, zie 'Specificaties', past u de steunstructuur aan

1. Ontgrendel de vergrendelhendel (19) en stel het zaagblad (2) in de gewenste hoek met behulp van de afschuiningshoek steller (14)
2. Wanneer gewenste hoek bereikt is, vergrendelt u het blad met de vergrendelhendel in plaats
3. Volg de zaagprocedure als beschreven in 'Het maken van een afschuiningssnede'

Het maken van een schuine afkortsnede

Let op: Volg dezelfde procedure op als bij het maken van een afkortsnede. Stel het blad in een hoek anders dan 0°

- Wanneer het werkstuk niet voldoet aan de maximale werkstuk afmetingen, zie 'Specificaties', past u de steunstructuur aan


1. Ontgrendel de vergrendelhendel (19) en stel het zaagblad (2) in de gewenste hoek met behulp van de afschuiningshoek steller (14)
2. Wanneer gewenste hoek bereikt is, vergrendelt u het blad met de vergrendelhendel in plaats
3. Volg de zaagprocedure als beschreven in 'Het maken van een afkortsnede'

Accessoires

- Verschillende accessoires en compatibele machine, waaronder de transport kit (TWX7RTK), zijsteun (TWX7SS) en uitvoer ondersteuningsbeugel (TWX7OS), zijn verkrijgbaar bij uw Triton handelaar. Reserve onderdelen zijn verkrijgbaar op toolsparesonline.com

Onderhoud

 **WAARSCHUWING:** Ontkoppel het Workcenter van de stroombron voordat u deze schoonmaakt, accessoires wisselt of enig onderhoud uitvoert

 **WAARSCHUWING:** Bij het uitvoeren van schoonmaak of onderhoud is het dragen van de geschikte beschermende uitrusting, waaronder snijbestendige handschoenen aanbevolen

WAARSCHUWING: Bij het hanteren van het zaagblad (2) is het dragen van geschikte beschermende handschoenen aanbevolen. Zo voorkomt u persoonlijk letsel

Zaagblad vervanging

WAARSCHUWING: De onbelaste snelheid van het zaagblad dient minimaal gelijk te zijn aan de maximale snelheid gemarkeerd op de machine. *Accessoires die sneller roteren dan de maximale snelheid breken mogelijk*

1. Ontkoppel de beschermkap (3) van het spouwmes door de schroef die de beschermkap vergrendelt te verwijderen
2. Draai de zeskantsleutel aan de invoerzijde van de kerfplaat (25) los en gebruik het kerfplaat gat om de plaat te verwijderen, Fig. F
3. Met de vergrendelhendel (19) in de ontgrendelpositie, verhoog de ashals (32) in de hoogste positie door de hoogte stelhendel (13) rechtop te draaien
4. Vergrendel de hoogte stelhendel in positie met de vergrendelhendel
5. Verwijder het oude zaagblad (2) door de ashals houder (30) met Multitool 1 (39) te vergrendelen, terwijl u de blad vergrendelmoer (31) met Multitool 2 verwijdert
6. Installeer de twee helften van de blad flens (33) op het nieuwe zaagblad en installeer het blad op de ashals (Fig. L

Let op: Zorg ervoor dat het blad juist op de ashals geplaatst wordt. De pijl op het zaagblad dient in dezelfde richting te wijzen als de pijl op de beschermkap

7. Houdt de ashals met Multitool 1 vast en draai de vergrendelmoer met Multitool 2 vast om het zaagblad in positie te vergrendelen
8. Installeer de kerfplaat en de beschermkap

Kerfplaat vervanging

WAARSCHUWING: Wanneer de zaagmodule veelvuldig gebruikt wordt, verslijt de kerfplaat. De kerfplaat dient in goede staat te verkeren. Vervang de kerfplaat wanneer nodig

1. Ontkoppel de beschermkap (3) van het spouwmes (6) door de schroef die de beschermkap vergrendelt te verwijderen
2. Draai de zeskantsleutel aan de invoerzijde van de kerfplaat (25) los en gebruik het kerfplaat gat om de plaat te verwijderen, Fig. F
3. Installeer de nieuwe kerfplaat
4. Lijn de kerfplaat uit, zie 'Kerfplaat uitlijning'
5. Installeer de beschermkap

Schoonmaak

- Houd uw machine te allen tijde schoon. Vuil en stof doen de interne onderdelen snel slijten, wat de levensduur aanzienlijk vermindert. Maak de machine met een zachte borstel of droge doek schoon. Gebruik wanneer mogelijk zuivere, droge perslucht om door de luchtgaten te blazen
- Maak de plastic behuizing niet met bijtende stoffen schoon. Gebruik wanneer nodig een vochtige doek en een licht schoonmaakmiddel
- De machine mag niet in contact komen met water
- Zorg ervoor dat de machine volledig droog is voordat u deze gebruikt

Het verhelpen van verstoppingen

1. Schakel de machine uit en ontkoppel deze van de stroombron. Ontkoppel de beschermkap (3) van het spouwmes (6) door de schroef die de beschermkap vergrendelt te verwijderen
2. Draai de zeskantsleutel aan de invoerzijde van de kerfplaat (25) los en gebruik het kerfplaat gat om de plaat te verwijderen, Fig. F
3. Verwijder het stofcilinderpaneel (12) en enige stofzuigeraansluitingen op de stofpoort (9)
4. Verhelp de verstopping
5. Installeer de beschermkap, kerfplaat, stofcilinderpaneel en enige stofzuigeraansluitingen wanneer de verstopping verholpen is

Smeren

- Smeer alle bewegende onderdelen regelmatig met PTFE-spray, vooral na zwaar gebruik of schoonmaak

WAARSCHUWING: Smeer niet met olie of onderhoudsspray op silicone basis. Smeermiddel resten en zaagsel mengen tot een papje wat effect heeft op de werking van bewegende onderdelen en mechanismen. Smeer ENKEL met droge smeermiddelen.

Opberging

- Berg de machine op een droge en veilige plek, buiten het bereik van kinderen op.

Verwijdering

Bij de verwijdering van elektrische machines neemt u de nationale voorschriften in acht.

- Elektrische en elektronische apparaten en accu's mogen niet met uw huishoudelijk afval worden weggegooid
- Neem contact op met uw gemeente voor informatie betreffende de verwijdering van elektrisch gereedschap

Probleemopsporing

Probleem	Mogelijke oorzaak	Oplossing
De machine werkt niet wanneer deze wordt ingeschakeld	Geen stroom	Controleer de stroombron
	Defecte aan-/uitschakelaar	Laat de schakelaar bij een geautoriseerd Triton service center vervangen
Slechte zaagkwaliteit	Defect zaagblad	Vervang het zaagblad als beschreven in deze handleiding
Zaagprofielen komen niet overeen met metingen	Onjuist bevestigde gradenboog (41) of schulpgeleider (51)	Bevestig de geleider en gradenboog en voorkom beweging wanneer druk wordt uitgevoerd
	Het zaagblad is niet juist gekalibreerd	Kalibreer het zaagblad als beschreven in deze handleiding
	Het houtje op de gradenboog (41) voorzien geen efficiënte/juiste ondersteuning	Vervang het houtje op de gradenboog

Garantie

Om uw garantie te registreren, gaat u naar onze website op www.tritontools.com* en voert u uw gegevens in. Uw gegevens worden opgeslagen in onze mailinglist (tenzij u anders aangeeft) voor informatie over nieuwe producten. De ingevulde gegevens worden aan geen enkele andere partij beschikbaar gesteld.

Aankoopgegevens

Datum van aankoop: ___ / ___ / ___

Model: TWX7CS001

EG-verklaring van overeenstemming

De ondergetekende: Mr. Darrell Morris

Gemachtigd door: Triton

Verklaart dat

Identificatienummer: TWX7CS001

Beschrijving: Zaagtafel module

Voldoet aan de volgende richtlijnen:

- Machinerichtlijn 2006/42/EG
- Elektromagnetische verenigbaarheid 2014/30/EG
- RoHS-richtlijn 2011/65/EU
- EN61029-1:2009+A11:2010
- EN61029-2:2012
- EN55014-1:2006+A1:2009+A2:2011
- EN55014-2:1997+A1:2001+A2:2008
- EN61000-3-2:2014
- EN61000-3-3:2013

Bewaar uw aankoopbon als aankoopbewijs rt pr

Triton Precision Power Tools garandeert de koper van dit product dat indien een onderdeel defect is vanwege fouten in materiaal of uitvoering binnen 3 jaar na de datum van de oorspronkelijke aankoop,

Triton het defecte onderdeel gratis repareert of, naar eigen inzicht, vervangt.

Deze garantie heeft geen betrekking op commercieel gebruik en strekt zich niet uit tot normale slijtage of schade ten gevolge van een ongeluk, verkeerd gebruik of misbruik.

* Registreer online binnen 30 dagen.

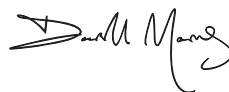
Algemene voorwaarden van toepassing.

Keuringsinstantie: TÜV Rheinland

De technische documentatie wordt bijgehouden door: Triton

Datum: 31/08/2016

Handtekening:



Darrell Morris

Algemeen directeur

Naam en adres van fabrikant:

Powerbox International Limited, handelsregister nummer 06897059. Powerbox, Boundary Way, Lufton Trading Estate, Yeovil, Somerset BA22 8HZ, Verenigd Koninkrijk

Introduction

Nous vous remercions d'avoir choisi cet équipement Triton. Ces instructions contiennent les informations nécessaires pour vous en garantir un fonctionnement efficace et en toute sécurité. Veuillez lire attentivement ce manuel pour vous assurer de tirer pleinement avantage des caractéristiques uniques de votre nouvel équipement.

Gardez ce manuel à portée de main et assurez-vous que tous les utilisateurs l'aient lu et bien compris avant toute utilisation. Conservez-le pour toute référence ultérieure.

Description des symboles

La plaque signalétique figurant sur votre outil peut présenter des symboles. Ces symboles constituent des informations importantes relatives au produit ou des instructions concernant son utilisation.



Port de protection auditive
Port de lunettes de sécurité
Port du masque respiratoire
Port du casque



Port de gants



Lire le manuel d'instructions



Attention à l'effet de rebond !



Attention : lames ou dents coupantes !



Pour usage intérieur uniquement



NE PAS utiliser sous la pluie ou un environnement humide !



Attention !



Emanation de fumées ou de gaz toxiques !



Ne pas toucher ! NE JAMAIS toucher au couvre-lame avant d'avoir débranché l'appareil. Maintenir les enfants et toute personne présente à distance durant l'utilisation d'un appareil électrique. Toute distraction pourrait vous faire perdre le contrôle de l'appareil. Gardez toute personne à distance de la zone de travail !



Débranchez toujours l'appareil avant d'effectuer un réglage, de changer d'accessoire, de le nettoyer, de l'entretenir, ou lorsqu'il n'est plus utilisé !



Protection de l'environnement

Les appareils électriques usagés ne doivent pas être jetés avec les ordures ménagères. Veuillez les recycler dans les centres prévus à cet effet. Pour de plus amples informations, veuillez contacter votre municipalité ou point de vente.

Caractéristiques techniques

Modèle numéro :	TWX7CS001
Puissance :	1800 W
Vitesse à vide :	4 500 tr/min
Lame de scie en alliage de carbure :	Conforme EN 847-1
Dimensions lame :	254 x 30 x 2, 6mm, 40 dents
Dimensions banc de scie L x l x H :	679 x 422 x 449 mm
Coupe longitudinale max. :	775 mm
Profondeur de coupe max. avec angle à 90° :	86 mm +/-1 mm
Profondeur de coupe max. avec angle à 45° :	59,5 mm +/-1mm
Largeur de la table avec rallonges latérales :	+ 600 mm
Longueur de la table avec rallonges :	+ 670 mm
Taille max. de la pièce de travail supportée L x l :	851 x 775 mm (sans support latéral et sans support de rallonges)
Taille de la tubulure d'évacuation des poussières/sciures :	64,5/ 32,6 mm
Poids :	15 kg
Informations relatives au niveau d'intensité sonore et vibratoire	
Pression acoustique L_{PA} :	92,3 dB(A)
Puissance acoustique L_{WA} :	104,6 dB(A)
Uncertainty K :	2,5 dB
L'intensité sonore peut dépasser 85 dB(A) et il est nécessaire que l'utilisateur porte des protections auditives.	

Attention : Portez toujours des protections sonores lorsque le niveau d'intensité est supérieur à 85 dB(A) et limitez le temps d'exposition si nécessaire. Si l'intensité sonore devient inconfortable, même avec les protections, arrêtez immédiatement d'utiliser l'appareil, vérifiez que les protections sont bien en places et adaptés avec le niveau sonore produit par l'appareil.

Attention : L'exposition de l'utilisateur aux vibrations peut engendrer une perte du toucher, des engourdissements, des picotements et ainsi réduire la capacité de préhension. De longues expositions peuvent également provoquer ces symptômes de façon chronique. Si nécessaire, limitez le temps d'exposition aux vibrations et portez des gants anti-vibrations. N'utilisez pas cet appareil lorsque la température de vos mains est en dessous des températures normales, car l'effet vibratoire en est accentué. Référez-vous au cas de figures des caractéristiques relatives aux vibrations pour calculer le temps et fréquence d'utilisation de l'appareil.

Les niveaux sonores et vibratoires des caractéristiques techniques sont déterminés en fonction de la norme EN60745 ou autres normes internationales. Ces données correspondent à un usage normale de l'appareil, et ce dans des conditions de travail normales. Un appareil mal entretenu, mal assemblé ou mal utilisé peut augmenter les niveaux sonores et vibratoires. Pour plus d'informations sur la directive des émissions sonores et vibratoires, visitez le site <http://osha.europa.eu/fr>.

Consignes générales de sécurité relative aux appareils électriques

ATTENTION ! Veuillez lire l'intégralité des consignes de sécurité et des instructions. Le non-respect de ces consignes et instructions peut entraîner un risque de choc électrique, d'incendie et/ou se traduire par des blessures graves.

ATTENTION : Cet appareil n'est pas conçu pour être utilisé par des personnes (enfants compris) ayant des capacités physiques ou mentales réduites, ou n'ayant pas la connaissance ou l'expérience requise, à moins d'être sous la supervision d'une personne responsable de leur sécurité ou d'avoir reçu les instructions nécessaires. Les enfants ne doivent pas s'approcher et jouer avec cet appareil.

AVERTISSEMENT : Utiliser l'appareil électrique, les accessoires et outils à monter conformément à ces instructions, en tenant compte des conditions de travail et de la tâche à réaliser. Toute utilisation d'un appareil électrique autre que celle pour laquelle il a été conçu peut entraîner des situations à risque.

L'expression « appareil électrique » employée dans les présentes consignes recouvre aussi bien les appareils filaires à brancher sur le secteur que les appareils sans fils fonctionnant sous batterie.

1. **Maintenir une zone de travail propre.** Des zones encombrées et mal éclairées sont sources d'accidents.

2. **Prendre en compte la zone de travail :**

- Ne pas exposer les outils à la pluie,
- Ne pas utiliser les outils dans des endroits humides,
- Travailler dans une zone bien éclairée,

- Ne pas utiliser d'outils électriques dans des environnements explosifs, tels qu'à proximité de liquides, de gaz ou de poussières inflammables.

3. **Éviter les décharges électriques :** Éviter le contact corporel avec les surfaces mises à la terre telles que tuyaux, radiateurs, cuisinières et réfrigérateurs.

4. **Éloigner les personnes aux alentours.** Ne laisser aucune personne dont la présence n'est pas nécessaire, surtout les enfants, s'approcher de la zone de travail et d'être en contact avec l'appareil.

5. **Ranger les appareils électriques inutilisés** dans un endroit sûr, sec et hors de portée des enfants.

6. **Ne pas forcer sur l'appareil électrique.** Un appareil électrique adapté et employé au rythme pour lequel il a été conçu permettra de réaliser un travail de meilleure qualité et dans de meilleures conditions de sécurité

7. **Utiliser l'appareil électrique approprié au travail à effectuer.** Ne pas utiliser de petits outils pour de tâches lourdes. N'utilisez pas l'outil pour une tâche pour laquelle il n'a pas été prévu.

8. **Porter des vêtements appropriés.**

- Ne pas porter de vêtements amples ou des bijoux pendants qui peuvent être happés par les pièces en rotation.
- Le port de chaussures antidérapantes est recommandé en extérieur.
- Attacher ou protéger les cheveux longs.

9. **Porter un équipement de protection approprié.**

- Porter une protection oculaire.
- Porter un masque à poussières lors de travaux créant de la poussière.

ATTENTION : Ne pas porter d'équipements de protection ou de vêtements appropriés peut engendrer et aggraver des blessures.

10. **Brancher un système d'évacuation des poussières/sciures** : si l'appareil est pourvu de dispositifs destinés au raccord d'équipements d'évacuation et de récupération des poussières/sciures, s'assurer qu'ils soient bien fixés et utilisés correctement.

11. **Ne pas maltraiter le cordon électrique.** Ne jamais utiliser le cordon électrique pour porter, tirer ou débrancher l'appareil. Protéger le cordon électrique de la chaleur, du contact avec l'essence, des bords tranchants et pièces rotatives. Un cordon électrique endommagé ou entortillé accroît le risque de décharge électrique.

12. **Immobiliser votre travail.** Si possible, utiliser des serre-joints ou un étai pour maintenir la pièce de travail. C'est plus sûr et efficace que de tenir avec la main.

13. **Ne pas essayer d'atteindre une zone hors de portée.** Se tenir toujours en position stable permettant de conserver l'équilibre.

14. **Veiller à l'entretien des appareils électriques.**

- Veiller à ce que les outils de coupe soient tenus affûtés et propres.
- Suivre les instructions de lubrification et de changement des accessoires.
- Vérifier régulièrement les câbles et les faire réparer /remplacer par un centre agréé.
- Vérifier également l'état des rallonges utilisées.
- Travailler avec des mains propres (sans graisse ni huile) et sèches.

ATTENTION : de nombreux accidents sont dus à l'utilisation d'appareils électriques mal entretenus

15. **Débrancher l'appareil électrique.** Lorsque l'appareil n'est pas utilisé, ou avant tout opération d'entretien ou de changement d'accessoires, veiller à débrancher l'appareil de sa source d'alimentation.

ATTENTION : utiliser des accessoires non recommandés par le fabricant peut engendrer des blessures.

16. **Enlever les clés et outils de réglage.** Prendre l'habitude de retirer ces outils avant de mettre l'appareil en marche.

17. **Éviter tout démarrage accidentel ou intempestif.** S'assurer que l'interrupteur marche-arrêt soit en position d'arrêt avant de brancher l'appareil sur l'alimentation secteur ou d'installer la batterie, de prendre l'appareil ou de le transporter.

ATTENTION : des démarrages accidentels peuvent être dangereux.

18. **Usage en extérieur** : Lors d'une utilisation de l'appareil électrique en extérieur, se servir d'une rallonge appropriée à une utilisation en extérieur. Cela réduit le risque de décharge électrique.

19. **Rester vigilant.**

- Faire preuve de bon sens lors de la manipulation de l'appareil.
- Ne pas utiliser un appareil électrique lorsque l'on se trouve dans un état de fatigue, ou sous l'influence de drogues, d'alcool ou de médicaments.

ATTENTION : un moment d'inattention pendant l'utilisation d'un outil électrique peut se traduire par des blessures graves.

20. **Inspecter les pièces endommagées**

- Avant d'utiliser un appareil, toujours vérifier qu'il soit en bon état de marche.
- Vérifier que les éléments rotatifs soient bien alignés et non grippés. S'assurer de l'absence de pièces cassées ou endommagées susceptibles de nuire au bon fonctionnement de l'appareil.
- Une protection ou partie défectueuse doit être réparée ou remplacée par un centre agréé, sauf en cas d'indication du manuel.
- Les interrupteurs défectueux doivent être remplacés par un centre agréé.

ATTENTION : ne pas utiliser un appareil électrique dont la commande ne s'effectue plus par l'interrupteur marche-arrêt. Il est dangereux et doit être réparé.

21. **Ne faire réparer votre appareil électrique que par un réparateur qualifié.** Cet appareil est conforme aux normes de sécurité en vigueur. Cela permet de maintenir la sécurité d'utilisation de l'appareil électrique et d'éviter des risques considérables pour l'utilisateur.

ATTENTION : utiliser uniquement des pièces de rechange identiques.

ATTENTION : si le câble d'alimentation est endommagé, le faire remplacer par un centre agréé.

22. **La prise d'un appareil électrique doit être adaptée à la prise du secteur.** Ne jamais modifier la prise en aucune façon. Ne jamais utiliser d'adaptateur sur la prise électrique d'appareil mis à la terre. Des prises non modifiées, adaptées aux boîtiers de prise de courant, réduisent le risque de décharge électrique.

23. **Si une utilisation de l'appareil électrique dans un environnement humide ne peut être évitée, utiliser une alimentation protégée par un disjoncteur différentiel.** L'utilisation d'un disjoncteur différentiel réduit le risque de décharge électrique.

ATTENTION : Lorsque utilisé en Australie ou en Nouvelle Zélande, il est recommandé que cet appareil soit toujours alimenté via un disjoncteur différentiel ayant un courant résiduel de 30 mA ou moins.

ATTENTION : Avant de brancher un appareil sur une source d'alimentation (prise secteur, groupe électrogène, etc.) assurez-vous que la tension fournie soit la même que celle spécifiée sur la plaque de l'appareil. Une source d'alimentation avec une tension supérieure à celle indiquée sur l'appareil peut engendrer de sérieuses blessures pour l'utilisateur et endommager l'appareil. En cas de doute, ne branchez pas l'appareil. Une source d'alimentation avec une tension inférieure à celle indiquée sur l'appareil est néfaste pour le moteur.

Prises polarisées (uniquement pour les pays de l'Amérique du Nord). Pour réduire les risques de chocs électriques, cet appareil comporte une prise polarisée (une des fiches est plus large que l'autre). Cette prise se branche dans une prise de courant polarisée uniquement dans un sens. Si la prise ne rentre pas complètement, inverser la prise. Sinon, contacter un électricien qualifié pour installer une prise de courant adaptée. Ne pas changer la prise de l'appareil.

Consignes de sécurité spécifiques pour les bancs de scie

AVERTISSEMENT : Durant l'utilisation d'une scie circulaire le port d'équipements de sécurité tels que des lunettes ou une visière de sécurité, un casque anti-bruit et des vêtements de protection ainsi que des gants de sécurité est **OBLIGATOIRE**. Assurez-vous que toute personne se trouvant à proximité porte les équipements de sécurité adéquats. Dans le cas contraire, tenez toute personne à une distance de sécurité de la zone de travail.

AVERTISSEMENT : Raccordez **TOUJOURS** la tubulure d'évacuation des poussières avec le couvre-lame afin d'assurer une évacuation optimale des poussières/sciures. Certains types de bois peuvent s'avérer toxiques ou provoquer des réactions allergiques sur certaines personnes ou sur certains animaux, notamment lorsqu'il s'agit de poussières très fines. Par conséquent, portez **TOUJOURS** une protection respiratoire appropriée.

AVERTISSEMENT: La vitesse nominale de la lame de scie doit être au moins équivalente à la vitesse maximale indiquée sur l'appareil. Les accessoires ayant une vitesse maximale supérieure à leur vitesse nominale pourraient se casser et voler en éclats.

- N'UTILISEZ QUE des scies circulaires compatibles avec ce banc de scie, dont les caractéristiques sont décrites dans la section « Caractéristiques techniques ».** N'UTILISEZ QUE des lames de scies compatibles en veillant à ce que le couteau diviseur ne soit pas plus épais que la lame du trait de scie ni plus fin que la lame de la scie.
- ASSUREZ-VOUS que votre espace de travail soit sécurisé et suffisamment éclairé, et qu'il ne soit obstrué par aucun objet qui pourrait vous empêcher de manœuvrer, risquerait de vous faire trébucher ou constituerait quelque danger que ce soit.**
- N'essayez JAMAIS de couper des métaux, des plaques de plâtre ou des matériaux de maçonnerie avec cette table de sciage.** Elle est exclusivement conçues pour être utilisée avec du bois ou des matériaux de consistance similaire.
- N'essayez PAS d'effectuer des moulures avec cette table de sciage.** La scie circulaire compatible et l'installation de la table ne sont pas prévues pour ce genre de coupe.
- Assurez-vous TOUJOURS que la zone de travail soit ventilée.** Retirez régulièrement la sciure et nettoyez la sciure de la scie pour éviter un risque potentiel d'incendie.
- N'essayez JAMAIS d'enlever des morceaux de bois ou de la poussière de la lame avec les mains lorsque la lame tourne.** Eteignez **TOUJOURS** la scie, débranchez-la de sa source d'alimentation, et attendez que la lame s'arrête complètement. Portez **TOUJOURS** des gants anti-coupures lorsque que vous devez toucher la lame pour éviter les blessures.
- Ne laissez JAMAIS la scie fonctionner sans surveillance.** Après avoir éteint, NE partez PAS de la table de sciage avant que la lame ne se soit complètement arrêtée.
- Lisez ATTENTIVEMENT les instructions listées dans la 'Prévention aux rebonds', et suivez ces recommandations lorsque vous utilisez une table de sciage.**
- Amenez TOUJOURS la pièce de travail sur la lame de scie dans la direction OPPOSEE au sens de rotation.** Le sens d'avancement de la pièce de travail est indiqué par la flèche indiquée sur la surface de la table.
- Utilisez TOUJOURS le guide parallèle lorsque vous effectuez des coupes.** Assurez-vous que le guide soit parallèle à la lame, qu'il ne soit SURTOUT PAS incliné vers la lame, et qu'il soit bien fixé à ces deux extrémités.
- Fixez TOUJOURS la pièce de travail contre le guide longitudinal ou le guide d'onglet.** N'utilisez jamais le guide longitudinal en même temps que le guide d'onglet.
- N'enlevez JAMAIS le carter de protection de la lame et le couteau diviseur.** Les couteaux diviseurs sont aussi connus sous le nom de 'écarteur'.
- Utilisez TOUJOURS un poussoir lors des coupes de pièces étroites, pour que votre main ne se rapproche pas de la lame de scie. Le poussoir doit TOUJOURS être plus étroit de la pièce de travail pour éviter qu'il ne vienne en contact avec la lame.** Utilisez un peigne et des blocs poussoirs pour les coupes non traversantes. Rangez le poussoir avec la scie lorsqu'ils ne sont pas utilisés.
- N'effectuez JAMAIS des coupes à mains levées, et soutenez seulement la pièce de travail avec vos mains.** Utilisez **TOUJOURS** le guide longitudinal ou le guide d'onglet pour positionner et guider le travail.
- N'essayez JAMAIS d'atteindre le derrière le dessus ou dans les 75 mm de la lame, avec les mains, pour n'importe quelle raison.**
- Déplacez TOUJOURS le guide longitudinal en dehors du passage d'une coupe transversale.** N'utilisez **JAMAIS** le guide longitudinal comme jauge de coupe pour les coupes transversales.
- N'essayez JAMAIS de libérer une lame de scie coincée lorsque la scie est allumée.** Eteignez **TOUJOURS** et débranchez la machine de sa source d'alimentation.
- Soutenez TOUJOURS les grandes pièces de travail au niveau du plateau d'entrée et de sortie de la table de sciage, et si nécessaire, au niveau de ses côtés.** Utilisez des servantes ou des chevalets si possible.
- NE laissez JAMAIS aller la pièce de travail avant qu'elle ne soit complètement poussée à travers la lame, en utilisant un poussoir si nécessaire.**
- Évitez de guider le long du guide des pièces de travail de forme irrégulière qui n'ont pas de bord droit.
- NE coupez PAS du bois rond avec les tables de sciage.** N'utilisez pas de tables de sciage pour couper des rondins ou des bûches.
- Évitez **TOUJOURS** des opérations difficiles et des positions des mains peu commodes, où un dérapage soudain pourrait entraîner que votre main ou qu'une autre partie du corps vienne se mettre en contact avec la lame.
- INSPECTEZ** la plaque du passage de la lame avant utilisation. Remplacez les plaques de passage de la lame si elles sont usées ou endommagées.
- Utilisez **UNIQUEMENT** les accessoires listés dans ce manuel, pour être compatible avec la table de sciage. L'utilisation d'accessoires incompatibles peut fondamentalement être dangereux et engendrer des blessures graves ou des dommages matériels. Suivez **TOUJOURS** toutes les consignes de sécurité et les instructions d'utilisation fournies avec les accessoires.
- Eteignez **TOUJOURS** la table de sciage avant de la débrancher de sa source d'alimentation. Ceci évite les démarrages accidentels lorsque vous rebranchez la table sur une source d'alimentation.

Prévention de l'effet rebond

Remarque : Le rebond se produit lorsque la lame se bloque rapidement, à la suite d'un pincement, d'un grippage ou d'un défaut d'alignement, ce qui renvoie la pièce à couper vers l'utilisateur. Il peut également attirer la main de l'utilisateur vers la lame, au risque de blessures graves.

AVERTISSEMENT : Le rebond est la conséquence d'une mauvaise utilisation de la scie et/ou de mauvaises procédures ou conditions de fonctionnement. Cependant, en prenant certaines précautions, les forces de rebond peuvent être contrôlées par l'utilisateur, voire entièrement évitées :

- Utilisez TOUJOURS la scie pourvue de son couteau diviseur (« écarteur »)**. N'enlevez JAMAIS le couteau diviseur ; vous éviterez ainsi que le trait de scie se referme sur la lame.
- N'entrez JAMAIS une coupe avec une lame émoussée ou gauchie**. Assurez-vous TOUJOURS que la lame soit compatible avec le matériau à couper.
- Assurez-vous TOUJOURS que le guide longitudinal soit bien parallèle à la lame**. Si le guide est incliné vers la lame, la pièce à couper peut rentrer en contact avec le bord arrière de la lame et se retrouver de manière inattendue projetée vers l'utilisateur.
- N'utilisez JAMAIS le guide longitudinal et le guide d'onglet en même temps**. Ceci peut provoquer un sérieux effet de rebond et des blessures graves.
- Soyez vigilant avec les grands panneaux de bois**. Assurez-vous que les grandes pièces de bois soient bien soutenues au niveau des plateaux d'entrée et de sortie de la table de sciage.
- NE coupez PAS des rondins ou pièces qui ne peuvent pas être maintenues à plat sur la table**. Évitez de couper des bois tors, déformés ou présentant des nœuds.
- Ne coupez PAS du bois humide, car cela produit des frictions plus importantes sur la lame**. La sciure humide peut s'accumuler sur la lame, ce qui augmente le risque de rebond.
- Maintenez TOUJOURS fermement la pièce à couper, avec les deux mains, et placez les bras de manière à pouvoir résister aux forces de rebond**.
- Placez-vous toujours d'un côté ou de l'autre de la lame, mais jamais dans son alignement**.
- NE retirez PAS la pièce à couper pendant la coupe**. Si vous devez interrompre la coupe avant qu'elle ne soit finie, éteignez la scie et attendez que la lame soit complètement arrêtée avant de retirer la pièce à couper.
- ÉVITEZ que la pièce à couper ne tombe sur la lame**. N'essayez PAS d'effectuer des coupes plongeantes sur la table de sciage.
- Utilisez TOUJOURS un bâton poussoir ou un bloc poussoir si nécessaire, pour guider la pièce à couper sur la lame**. Si possible, utilisez un peigne pour maintenir la pièce à couper contre la surface de la table.

Descriptif du produit

- Prise de secteur
- Lame de la scie
- Couvre-lame
- Tubulure d'évacuation des poussières/sciures du couvre-lame
- Vis de fixation du couvre-lame
- Couteau diviseur
- Vis de verrouillage du couteau diviseur
- Bouchon de la brosse
- Tubulure d'évacuation des poussières/sciures
- Molette de nivelage du module
- Cylindre
- Boîtier collecteur de poussières/sciures
- Molette de réglage de la hauteur de lame
- Dispositif de réglage de l'angle oblique
- Vis de réglage pour un angle de coupe à 45°
- Vis de réglage pour un angle de coupe à 0°
- Indicateur d'angle oblique
- Vis de réglage de l'angle
- Levier de verrouillage
- Orifices pour les pouces
- Emplacements pour les mains
- Trou pour accéder au disque du trait de scie
- Vis de fixation pour la molette de nivelage
- Vis pour fixer le disque du trait de scie
- Disque du trait de scie
- Plaque de revêtement sacrificiel
- Molette de réglage latéral
- Vis de nivelage du banc de scie
- Surface de la table du banc de scie
- Porte-moyeu
- Ecrou pour sécuriser la lame
- Moyeu
- Bride à lame
- Bouton de sécurité
- Vis pour le réglage du couteau diviseur
- Attache pour le montage
- Vis de fixation
- Poussoir
- Pièce multi-outils 1
- Pièce multi-outils 2
- Rapporteur
- Bouton de verrouillage du banc de scie
- Guide avant réglable
- Crochet de support
- Réglage de l'angle à 45°
- Fente d'inclinaison de l'angle
- Règle graduée
- Pointeur d'angle
- Rail du banc de scie

- Bouton de réglage d'angle
- Guide longitudinal
- Bras du guide longitudinal

Usage conforme

Scie circulaire montée sur banc de sciage pour réaliser coupes d'onglets, coupes transversales et refentes de matériaux. Rapporteur et guide longitudinal inclus. Indiquée pour couper le bois et matériaux similaires au bois uniquement. A utiliser avec le Workcentre TWX7 ainsi que ses accessoires.

Déballage

- Déballer le produit avec soin. Veillez à retirer tout le matériau d'emballage et familiarisez-vous avec toutes les caractéristiques du produit.
- Si des pièces sont endommagées ou manquantes, faites-les réparer ou remplacer avant d'utiliser l'appareil.

IMPORTANT : Veuillez lire ces instructions ainsi que le manuel d'instruction fourni avec le Workcentre Triton.

Pour consulter la vidéo de démonstration pour le montage de ce module, rendez-vous sur www.tritontools.com

Avant utilisation

⚠ Attention : Débranchez toujours l'appareil avant d'effectuer un réglage, de changer d'accessoire, de le nettoyer, de l'entretenir, ou lorsqu'il n'est plus utilisé !

AVERTISSEMENT : Portez TOUJOURS des gants anti-coupures appropriés lorsque vous manipulez la lame de scie. Ne pas respecter cette consigne peut engendrer des coupures ou des blessures sur l'utilisateur.

Fixation des vis de nivelage

- Disposez le module banc de scie sur une surface plane sécurisée et placez les vis de fixation pour la molette de nivelage (23), les vis de nivelage du banc de scie (28) et les petits cylindres facilitant l'installation du module (11) comme illustré sur la Fig. A

Installation et retrait du module

⚠ AVERTISSEMENT : Veuillez toujours utiliser les emplacements spécialement prévus pour les mains (21) lorsque vous souhaitez déplacer le module banc de scie.

Remarque : Lorsque vous souhaitez retirer le module banc de scie, la lame de scie (2) doit toujours être positionnée en angle à 45°. Reportez-vous à la section « Réglage de la lame » pour des instructions détaillées sur la manière de procéder pour changer le positionnement d'angle de la lame.

Installation du module

AVERTISSEMENT : Abaissez la lame de la scie (2) pour l'amener à une hauteur de sécurité avant d'installer ou de retirer le module banc de scie.

AVERTISSEMENT : Certains modules sont lourds, particulièrement ceux qui intègrent des outils électriques. Veuillez TOUJOURS saisir le module en veillant à bien disposer vos mains dans les emplacements spécialement prévus à cet effet (21) et en vous assurant d'avoir une position stable. Éviter autant que possible tout geste maladroit lorsque vous entreprenez d'installer ou vous retirer le module.

IMPORTANT : Pour abaisser et placer le module, veillez à disposer vos pouces dans les orifices spécialement prévus à cet effet (20). Toute manipulation non maîtrisée pourrait endommager le Workcentre ou le module utilisé, voire provoquer un risque pour l'opérateur de se blesser.

⚠ ATTENTION : Ne placez jamais vos doigts ni aucune partie de votre corps entre le module banc de scie et le châssis du Workcentre. Voir Fig. B

- Faites glisser les cylindres (11) à l'intérieur des rails guides de montage du module et faites descendre le module tout doucement en faisant attention pour le placer, voir Fig. B

- Enclenchez les deux dispositifs de verrouillage du module sur position « verrouillage », Fig. C

Remarque : Assurez-vous que les vis de fixation pour la molette de nivelage (23) soient correctement placées à l'emplacement prévu pour la molette. Les vis de nivelage du banc de scie (28) doivent être ajustées de manière à éliminer le jeu qu'il pourrait y avoir entre le module et le châssis du Workcentre.

Retrait du module

- Enclenchez les deux dispositifs de verrouillage du module sur position « déverrouillage ». Retirez le module du châssis en faisant attention à disposer vos pouces dans les orifices spécialement prévus à cet effet et faites glisser les cylindres (11) vers l'extérieur des rails guides du module, voir Fig. B

Nivelage de la table du module

- Nivelez le module en réglant les vis de fixation pour la molette de nivelage (23) et les vis de nivelage du module (28) en suivant les indications décrites dans la Fig. D

- Vérifiez que le module soit bien nivelé par rapport à la surface de la table en utilisant une règle droite comme illustré sur la Fig. E. Si le module n'est pas nivelé, veuillez recommencer en suivant la même procédure

Assemblage du module banc de scie d'entrepreneur

- Consultez les figures de A à L et suivez les instructions indiquées ci-dessous afin d'assembler le module banc de scie d'entrepreneur.

Installation du couteau diviseur

ATTENTION : Assurez-vous que le couteau diviseur (6) soit bien mis en place et verrouillé (6) avant toute utilisation.

- Une fois que la lame de scie (2) est positionnée avec un angle de 0°, remontez la lame jusqu'à atteindre sa hauteur maximale à l'aide de la molette de réglage de la hauteur de lame (13)
- Desserrez la vis hexagonale située à l'extrémité du disque du trait de scie (25) et relâchez un peu le disque en l'atteignant par le trou spécialement prévu pour accéder au disque du trait de scie (22), Fig. F
- Insérez le couteau diviseur (6) dans le crochet de fixation et actionnez le bouton de sécurité (34), Fig. G

Nivelage du disque du trait de scie

ATTENTION : Assurez-vous que le disque du trait de scie (25) soit installé et correctement nivelé avant toute utilisation.

- Nivelez le disque du trait de scie en réglant les vis spécialement prévues pour fixer le disque du trait de scie (24)
- Veillez vérifier que le disque soit correctement nivelé par rapport à la surface de la table du banc de scie à l'aide d'une règle droite. Si le disque n'est pas nivelé, veuillez recommencer en suivant la même procédure

Réglage de la lame

- Pour régler l'angle d'inclinaison de la lame de scie (2) :

- Débloquez le levier de verrouillage (19)
- Tournez le dispositif de réglage de l'angle oblique (14) afin de modifier l'angle de la lame
- Vérifiez l'angle d'inclinaison de la lame grâce l'indicateur d'angle oblique (17)
- Régalez la hauteur de lame de scie grâce à la molette de réglage de la hauteur de lame (13):

 - dans le sens des aiguilles d'une montre pour élever la lame de scie ;
 - dans le sens inverse pour abaisser la lame de scie.

Positionnement d'angle de la lame

Note: Reportez-vous à la Fig. H pour procéder au positionnement de la lame de scie (2).

1. Élever la lame de scie à sa hauteur maximale en utilisant la molette de réglage de la hauteur de lame (13)
2. Au moyen du dispositif de réglage de l'angle oblique (14) réglez la lame de scie de manière à ce qu'elle soit perpendiculaire à la surface de la table du banc de scie
3. Placez une équerre (non fournie) à la fois contre la surface de la table et contre la lame
4. Desserrez la vis de réglage pour un angle de coupe à 0° (16)
5. Réglez l'inclinaison de la lame de scie afin qu'elle soit parallèle à l'équerre
6. Desserrez la vis de réglage de l'angle (18) et placez la molette rouge sur le 0 de l'indicateur d'angle oblique (17)
7. Bloquez la lame de scie en position au moyen du levier de verrouillage (19)
8. Resserrez la vis de réglage pour un angle de coupe à 0°
9. Desserrez la vis de réglage pour un angle de coupe à 45° (15)
10. Positionnez la lame de scie sur un angle de 45°
11. Resserrez la vis de réglage pour un angle de coupe à 45° et vérifiez grâce à la jauge d'inclinaison. Si la jauge n'indique pas une inclinaison à 45°, recommencez les étapes de 9 à 11

Alignement du couteau diviseur

1. Une fois la lame de scie (2) en position 0°, élevez la lame de scie à sa hauteur maximale en utilisant la molette de réglage de la hauteur de lame (13)
2. Desserrez la vis hexagonale située à l'extrémité du disque du trait de scie (25) et relâchez un peu le disque en l'atteignant par le trou spécialement prévu pour accéder au disque du trait de scie (22), Fig. F
3. Desserrez la vis pour le réglage du couteau diviseur (35) ainsi que la vis de verrouillage du couteau diviseur (7)
4. Placez deux règles droites, comme par exemple des règles graduées, contre les côtés de la lame de scie et du couteau diviseur
5. Retirez les règles droites et resserrez la vis pour le réglage du couteau diviseur, puis celle de verrouillage du couteau diviseur
6. Vérifiez que le couteau diviseur est bien dans l'alignement de la lame de scie. Si ce n'est pas le cas, reprenez les étapes 3 à 5 autant de fois que nécessaire
7. Remettez en place le disque du trait de scie. Le couteau diviseur est à présent aligné

Guide longitudinal

- Dépliez les bras du guide longitudinal (52) et faites-les glisser dans les rails du châssis du Workcentre prévus pour le guide longitudinal, Fig. I
- Les bras du guide longitudinal comportent une règle graduée. Associée à l'indicateur de position pour guide longitudinal, elle permet d'obtenir des mesures de largeur précises.

Rapporteur

- Desserrez le bouton de verrouillage du banc de scie (42) et faites glisser le rail du banc de scie (49) dans la rainure en T du châssis du Workcentre, Fig. J
- Resserrez le bouton de verrouillage du banc de scie pour fixer le rapporteur (41)
- Le réglage de l'angle s'effectue en desserrant le bouton de réglage de l'angle (50) et en orientant le rapporteur à l'angle voulu
- L'angle est indiqué par le biais du pointeur d'angle (48)
- Positionnez le guide avant réglable (43) en desserrant les deux boulons à forme hexagonale afin de l'adapter à des pièces de travail de différentes tailles
- Inversez le sens du rapporteur et positionnez l'angle à 0° pour pouvoir utiliser le réglage de l'angle à 45°
- Pour obtenir une coupe nette à 45°, vous pouvez retirer le rapporteur et le réinsérer à l'envers en positionnant sur 0° et ainsi vous servir du réglage de l'angle à 45° (45)

Evacuation des poussières/sciures

AVERTISSEMENT : TOUJOURS utiliser un aspirateur ou un système d'évacuation des poussières/sciures d'atelier approprié.

AVERTISSEMENT : Les poussières/sciures produites par certaines essences de bois, par certains revêtements et matériaux composites contiennent des substances toxiques. Éliminez TOUJOURS les poussières/sciures toxiques selon la législation et la réglementation en vigueur.

- L'évacuation des sciures peut s'effectuer grâce à un simple aspirateur, mais les aspirateurs classiques à sac peuvent se remplir très rapidement. Pour une capacité d'aspiration plus importante, pensez à utiliser un Collecteur de sciure Triton (DCA300) conjointement à votre aspirateur.
- La charge électrique du banc de scie associée à celle de l'aspirateur peut dépasser l'intensité nominale de vos rallonges ou de votre prise. Pour cette raison, branchez l'aspirateur et le banc de scie sur des prises électriques différentes, et mettez les deux appareils sous tension l'un après l'autre.

Branchements électriques

Remarque : Le Workcentre dispose d'une prise sur câble pour faciliter le branchement des appareils électriques, Fig. K

Raccordez le Workcentre à l'alimentation grâce à la prise de secteur

- Branchez tout appareil électrique sur la prise sur câble
- 1. Les appareils DOIVENT être branchés par le biais du boîtier électrique du Workcentre
- 2. Si nécessaire, il est possible d'employer des rallonges appropriées afin de rallonger le câble d'alimentation du Workcentre.

AVERTISSEMENT : N'utilisez que des rallonges en bon état, dont la section est suffisante pour transporter le courant demandé par l'appareil. Une rallonge trop faible entraînera une baisse de la tension, occasionnant une perte de puissance, une surchauffe et la défaillance du moteur de l'appareil.

Consignes d'utilisation

ATTENTION : TOUJOURS porter une protection oculaire, respiratoire et auditive adéquates, ainsi que des gants appropriés, pour travailler avec cet équipement.

IMPORTANT : Le module banc de scie présente une flèche indicative du sens d'avance à observer pour obtenir une coupe sûre.

ATTENTION : Ne pas déséquilibrer le Workcentre avec des pièces à scier de trop grande taille.

ATTENTION : Assurez-vous que le disque du trait de scie (25) soit installé et correctement nivelé avant toute utilisation.

Remarque : Consultez le manuel de votre Workcentre TWX7 pour toutes les informations et tous les schémas explicatifs de cet équipement.

Fonctionnement du boîtier électrique du Workcentre

IMPORTANT : Le boîtier électrique a besoin d'être branché sur le secteur pour pouvoir être activé. Il se désactivera dès que le courant sera coupé et devra être réactivé, une fois le courant restauré, pour redevenir opérationnel.

Mise en marche et arrêt

1. L'interrupteur marche/arrêt (W10) du Workcentre est situé sur l'avant du châssis du Workcentre, Fig. K
 2. Branchez le câble secteur sur une prise
 3. Faites passer l'interrupteur marche/arrêt du Workcentre sur la position « 0 » en appuyant sur le bouton d'arrêt coup-de-genou
 4. Branchez la prise de l'appareil électrique dans la prise sur câble
 5. Allumez l'appareil électrique en appuyant sur l'interrupteur marche/arrêt pour le faire passer en position « I »
- Appuyez sur le bouton d'arrêt coup-de-genou pour arrêter l'appareil.

Remarque : Si l'alimentation électrique est interrompue en cours d'utilisation, la machine ne redémarrera pas. L'interrupteur marche/arrêt devra être réactivé pour reprendre la coupe.

Position de l'utilisateur et sens d'avance

- La position principale de l'utilisateur est déterminée par l'emplacement de l'interrupteur de sécurité
- Restez TOUJOURS à proximité immédiate de l'interrupteur, de manière à pouvoir éteindre instantanément la machine en cas d'urgence
- Faites avancer la pièce à scier depuis cet emplacement en suivant la direction indiquée par les flèches présentes sur la surface du banc (29)

Utilisation des rallonges de table (disponibles comme accessoires)

- Les barres de support qui sont proposées en option pour le Workcentre (support de sortie TWX70S et support latéral TWX75S) peuvent être réglées afin de fournir un support pour les grandes pièces à scier. Pour les régler, desserrez les boutons de support de sortie et/ou les boutons du support latéral et allongez la barre de support appropriée en fonction de la taille de la pièce à scier.

Réglage du rapporteur

Remarque : Pour augmenter la vie utile du rapporteur (41) il est recommandé de fixer une pièce de bois sacrificielle au guide.

1. Le rapporteur étant installé dans la rainure en T, desserrez le bouton de verrouillage du banc de scie (42) et le bouton de réglage d'angle (50)
 2. Réglez l'angle du rapporteur, visible par l'intermédiaire du pointeur d'angle (48)
 3. Serrez le bouton de réglage de l'angle fermement, mais ne serrez le bouton de verrouillage du banc de scie que jusqu'à ce que vous ressentiez une légère résistance, pour ainsi fixer le rapporteur dans la rainure en T
- En variante, si vous recherchez un angle de 45° :
 1. Retirez le rapporteur et réinstallez-le de manière que le guide avant réglable (43) soit en bord de fuite ;
 2. Veillez à ce que le pointeur d'angle indique « 0 » et serrez le bouton de réglage de l'angle ;
 3. Servez-vous du réglage de l'angle à 45° (45) pour fixer la pièce à scier

Utilisation du poussoir

AVERTISSEMENT : La réalisation de coupes sur de petites pièces peut être dangereuse et demande d'utiliser un poussoir.

- Un poussoir (38) est inclus avec ce produit. Toutefois, il pourra être nécessaire d'employer plus d'un poussoir pour couper votre pièce en toute sécurité. Pour cela, consultez la section « Réalisation de poussoirs supplémentaires » pour pouvoir réaliser d'autres poussoirs.
- Lors de la coupe de pièces de faible épaisseur, il sera nécessaire d'employer plusieurs poussoirs afin de maintenir la pièce à scier au plus près de la lame de scie (2).

Lors de la coupe

AVERTISSEMENT : NE JAMAIS manipuler la partie de la pièce à scier qui est le plus proche de la lame de scie (C1) pendant que celle-ci tourne ou tant que la machine est allumée. Cela peut amener la pièce à être éjectée de la machine et entraîner des blessures chez l'utilisateur.

AVERTISSEMENT : Tenez toujours les deux mains à l'écart de la lame et de la trajectoire de coupe.

AVERTISSEMENT : NE JAMAIS retirer la pièce à scier en cours de sciage ; si vous devez le faire, éteignez la machine et attendez que la lame soit parvenue à arrêt complet avant d'enlever la pièce partiellement coupée.

AVERTISSEMENT : Lors du sciage de pièces de grande taille, qui dépassent la largeur et/ou longueur de la table du Workcentre, il est nécessaire de supporter convenablement la pièce au moyen de barres de support (support de sortie TWX70S et support latéral TWX75S proposés en option) qui sont disponibles auprès de votre revendeur Triton.

AVERTISSEMENT : Assurez-vous TOUJOURS que le Workcentre soit installé sur une surface plane, stable et sécurisée. Veillez à TOUJOURS avoir une position stable. Si le Workcentre est installé sur une surface irrégulière et instable, cela pourrait être dangereux et constituer un risque de se blesser pour l'utilisateur.

Réalisation d'une coupe transversale

AVERTISSEMENT : Afin de limiter les pertes lors la découpe de la pièce de travail, utilisez le guide longitudinal (51). Servez-vous du rapporteur (41) pour guider la pièce pendant le sciage.

Si la pièce de travail sur laquelle vous souhaitez travailler n'entre pas dans l'emplacement maximal prévu et précisé dans la section « Caractéristiques techniques », veuillez ajuster la structure de maintien afin de positionner la pièce de travail durant la coupe.

1. Placez le guide longitudinal hors de la trajectoire de la pièce à scier. Réglez le rapporteur (41) à l'angle voulu et verrouillez-le.
2. Positionnez la lame de scie de manière que son point le plus élevé soit à environ 3,2 mm au-dessus de la pièce à scier.
3. De la main la plus proche de la lame, maintenez la pièce à scier fermement contre le rapporteur, et placez l'autre main sur la partie de la pièce à scier la plus éloignée de la lame de scie, afin de la soutenir.
4. Allumez l'appareil et laissez la lame atteindre sa vitesse de service.
5. En plaçant les mains de la manière décrite à l'étape 3 pour soutenir la pièce à scier, faites lentement avancer la pièce.

Remarque : Avant de retirer la chute, éteignez la machine et attendez que la lame soit parvenue à arrêt complet.

Réalisation d'une coupe d'onglets

1. Réglez le rapporteur (41) à l'angle voulu. Pour plus d'informations sur le réglage et l'étalonnage du rapporteur, voir « Réglage du rapporteur ».
2. Procédez de la même manière que dans la section « Réalisation d'une coupe transversale ».

Réalisation d'une coupe longitudinale

AVERTISSEMENT : Toujours utiliser le guide longitudinal (51) lors des coupes longitudinales. Une coupe à main levée est dangereuse. TOUJOURS vérifier que le guide est bien verrouillé avant de commencer la coupe.

AVERTISSEMENT : Lors de coupes longitudinales, et dans la mesure du possible, tenez les mains éloignées de la lame de scie et servez-vous du poussoir (38) pour faire avancer la pièce à scier dès qu'il y a moins de 152 mm entre le guide et la lame.

AVERTISSEMENT : NE JAMAIS retirer la pièce à scier en cours de sciage ; si vous devez le faire, éteignez la machine et attendez que la lame soit parvenue à arrêt complet avant d'enlever la pièce partiellement coupée.

- Si la pièce de travail sur laquelle vous souhaitez travailler n'entre pas dans l'emplacement maximal prévu et précisé dans la section « Caractéristiques techniques », veuillez ajuster la structure de maintien afin de positionner la pièce de travail durant la coupe.

1. Réglez et verrouillez le guide grâce à ses dispositifs de serrage.

- Retirez le rapporteur (41).
- Positionnez la lame de manière que son point le plus élevé soit à environ 3,2 mm au-dessus de la pièce à scier.
- Maintenez la pièce à scier à plat sur la table et contre le guide longitudinal. Tenez la pièce à au moins 25 mm de la lame de scie.
- Allumez l'appareil et laissez la lame attendre sa vitesse de service.
- Tout en maintenant la pièce contre le guide et bien à plat sur la table, faites lentement avancer la pièce. Assurez une force de poussée uniforme jusqu'à ce l'intégralité de la pièce ait été sciée. Continuez de faire avancer la pièce à l'aide du pousoir (38) lorsque le bord de fuite de la pièce est à moins de 150 mm de la lame.

Réalisation d'une coupe longitudinale en biseau

AVERTISSEMENT : Lors de la réalisation d'une coupe longitudinale en biseau, faites toujours en sorte que le guide longitudinal (51) se situe du côté droit de la lame de scie (2). La lame de scie ne doit JAMAIS être inclinée vers le guide longitudinal.

Remarque : Cette opération suit la même procédure que dans la section « Réalisation d'une coupe transversale », à l'exception du fait que l'angle est réglé à une valeur autre que 0°.

- Si la pièce de travail sur laquelle vous souhaitez travailler n'entre pas dans l'emplacement maximal prévu et précisé dans la section « Caractéristiques techniques », veuillez ajuster la structure de maintien afin de positionner la pièce de travail durant la coupe.

- Débloquez le levier de verrouillage (19) et réglez l'angle de la lame de scie (2) en utilisant le dispositif de réglage de l'angle oblique (14)
- Une fois l'angle voulu atteint, verrouillez-le à l'aide du levier de verrouillage.
- Procédez de la même manière que dans la section « Réalisation d'une coupe longitudinale ».

Réalisation d'une coupe transversale en biseau

Remarque : Procédez de la même façon que pour réaliser une coupe longitudinale en biseau à la différence que cette fois l'angle d'inclinaison doit être positionné à 0°.


- Si la pièce de travail sur laquelle vous souhaitez travailler n'entre pas dans l'emplacement maximal prévu et précisé dans la section « Caractéristiques techniques », veuillez ajuster la structure de maintien afin de positionner la pièce de travail durant la coupe.

- Débloquez le levier de verrouillage (19) et réglez l'angle de la lame de scie (2) en utilisant le dispositif de réglage de l'angle oblique (14)
- Une fois l'angle voulu atteint, verrouillez-le à l'aide du levier de verrouillage.
- Procédez de la même manière que dans la section « Réalisation d'une coupe longitudinale ».

Accessoires

- Une large gamme d'accessoires dont un kit robuste pour le déplacement (TWX7RTK), un support latéral (TWX7SS) et un support de sortie (TWX7OS) est disponible chez votre revendeur Triton. Des pièces de rechange sont également disponibles chez votre revendeur Triton ou en ligne sur www.toolsparsonline.com

Entretien

 **ATTENTION** : Veillez à TOUJOURS débrancher le Workcentre de sa source d'énergie avant toute opération de nettoyage, de changement d'accessoires, de réglage ou d'entretien.

 **ATTENTION** : TOUJOURS porter une protection oculaire, respiratoire et auditive adéquates, ainsi que des gants appropriés, pour travailler avec cet équipement.

ATTENTION : Portez TOUJOURS des gants adaptés anti-coupures lorsque vous manipulez la lame de scie (2). Le non-respect de cette consigne pourrait conduire à des blessures graves.

Remplacement de la lame de scie

AVERTISSEMENT : La vitesse nominale de la lame de scie doit être au moins égale à la vitesse maximale indiquée sur l'appareil électrique. Les accessoires tournant plus vite que leur vitesse nominale peuvent se briser et éclater.

- Retirez le couvre-lame (3) du couteau diviseur (6) en retirant la vis qui permet de visser couvre-lame sur couteau-diviseur.
- Desserrez la vis hexagonale située à l'extrémité du disque de trait de scie (25) en y accédant par le biais du trou spécialement prévu et enlevez le disque Fig. F.
- A l'aide du levier de verrouillage (19) en position déverrouillé, faites remonter le moyeu (32) jusqu'à sa hauteur maximale en tournant la molette de réglage de la hauteur de lame (13) dans le sens des aiguilles d'une montre.
- Bloquez la molette de réglage de la hauteur de lame en position au moyen du levier de verrouillage.
- Retirez l'ancienne lame de scie (2) en fixant le porte-moyeu (30) grâce à la pièce multi-outils 1 (39), tout en enlevant en même temps l'écrou pour sécuriser la lame (31) à l'aide de la pièce multi-outils 2 (40).
- Placez les deux moitiés de la bride à lame (33) sur la nouvelle lame de scie puis placez l'ensemble formé sur le moyeu, Fig. L.

Remarque : Assurez-vous que la lame soit correctement orientée. La flèche de direction présente sur la lame de scie doit correspondre avec la direction de la flèche indiquée sur le couvre-lame.

- Bloquez bien en place la lame de scie en fixant fermement le porte-moyeu grâce à la pièce multi-outils 1, tout en resserrant en même temps l'écrou pour sécuriser la lame à l'aide de la pièce multi-outils 2.

- Remettez en place le disque du trait de scie ainsi que le couvre-lame.

Remplacement du disque de trait de scie

AVERTISSEMENT : Si le banc de scie est soumis à une utilisation constante, le disque de trait de scie, avec le temps, peut se détériorer. Il est important que ce disque soit toujours en bon état et il conviendra donc de le remplacer si nécessaire.

- Retirez le couvre-lame (3) du couteau diviseur (6) en retirant la vis qui permet de visser couvre-lame sur couteau-diviseur.
- Desserrez la vis hexagonale située à l'extrémité du disque de trait de scie (25) en y accédant par le biais du trou spécialement prévu et enlevez le disque Fig. F.
- Placez le nouveau disque de trait de scie et/ou la plaque revêtement protecteur
- Nivelez le disque du trait de scie en suivant la procédure indiquée dans la section « Nivelage du disque du trait de scie ».
- Remplacez le couvre-lame.

Nettoyage

- Gardez l'appareil toujours propre. La poussière et la saleté provoquent l'usure rapide des éléments internes de l'appareil et peuvent réduire la durée de vie de l'appareil.
- N'utilisez jamais d'agents caustiques sur les parties plastiques. Si un nettoyage sec ne suffit pas, il est recommandé d'utiliser un détergent doux sur un chiffon humide.

- L'appareil ne doit jamais être mis en contact avec de l'eau.
- Assurez-vous que l'appareil soit complètement sec avant de l'utiliser.

En cas de blocage

- Eteignez l'appareil et débranchez-le de sa source d'alimentation. Enlevez le couvre-lame (3) du couteau diviseur (6) en retirant la vis qui permet de fixer le couvre-lame sur le couteau-diviseur.
- Desserrez la vis hexagonale située à l'extrémité du disque de trait de scie (25) en y accédant par le biais du trou spécialement prévu et enlevez le disque Fig. F.
- Enlevez le boîtier collecteur de poussières/sciures (12) et tout autre élément pour l'évacuation des poussières qui serait connecté à la tubulure d'évacuation des poussières (9).
- Localisez l'obstruction et éliminez-la.
- Une fois le blocage éliminé, repositionnez le couvre-lame, le disque du trait de scie, le boîtier collecteur de poussières et tout autre élément pour l'évacuation des poussières qui serait connecté à la tubulure d'évacuation des poussières.

Lubrification

- Lubrifiez régulièrement les parties mobiles avec un vaporisateur de lubrifiant au PTFE, surtout après une utilisation intensive ou après nettoyage de l'appareil.

ATTENTION : N'UTILISEZ PAS de lubrifiants élaborés à base d'huile ou de silicone. Le résidu de ces lubrifiants pourrait, en combinaison avec le bois et les poussières produire la formation d'une couche de saleté qui pourrait nuire, au long cours, au bon fonctionnement des parties mobiles et des mécanismes. Lubrifiez donc au moyen d'un lubrifiant sec au PTFE UNIQUEMENT.

Rangement

- Rangez cet équipement et ses accessoires après usage dans leur boîte, dans un endroit sec, sûr et hors de portée des enfants.

Recyclage

Lorsque l'appareil n'est plus en état de fonctionner et qu'il n'est pas réparable, recyclez l'appareil conformément aux réglementations nationales.

- Ne jetez pas les outils électriques, batteries et autres équipements électriques ou électroniques (DEEE) avec les ordures ménagères.
- Contactez les autorités locales compétentes en matière de gestion des déchets pour vous informer de la procédure à suivre pour recycler les outils électriques

Résolution des problèmes pour le module banc de scie

Problème	Cause possible	Solution
L'appareil ne fonctionne pas après avoir actionné l'interrupteur marche/arrêt	Pas de courant	Vérifiez la source d'alimentation
	Interrupteur marche/arrêt défectueux	Faites remplacer l'interrupteur marche/arrêt auprès d'un centre de réparation agréé Triton
Sciage de mauvaise qualité	Lame défectueuse	La lame a besoin d'être remplacée. Pour cela, voir « Remplacement de la lame de scie »
Les coupes ne correspondent pas aux mesures effectuées	Le rapporteur (41) ou le guide longitudinal (51) servant de support n'est pas bien fixé	Vérifiez la fixation des moyens de support et vérifiez qu'ils ne présentent pas de jeu lors de l'application de pression
	Lame de scie (2) non nivelée	Nivelez la lame de scie en suivant la procédure décrite dans la section «Nivelage de la lame»
	La pièce de bois sacrificielle du rapporteur (41) n'assure plus un support suffisant	Remplacez la pièce de bois sacrificielle

Garantie

Pour valider votre garantie, rendez-vous sur notre site internet www.tritontools.com* et saisissez vos coordonnées.

Vos coordonnées seront introduites dans notre liste de diffusion (sauf indication contraire) afin de vous informer de nos prochaines nouveautés. Les informations que vous nous fournirez ne seront pas communiquées à des tiers.

Pense-bête

Date d'achat : ___ / ___ / ____

Modèle: TWX7CS001

CE Declaration of Conformity

Le soussigné : M. Darrell

Autorisé par : Triton

Déclare que le produit :

Code d'identification : TWX7CS001

Description: Module pour banc de scie d'entrepreneur

Est conforme aux directives suivantes :

- Directive sur les machines 2006/42/CE
- Directive sur la compatibilité électromagnétique 2014/30/CE
- Directive RoHS 2011/65/UE
- EN61029-1:2009+A11:2010
- EN61029-2:2012
- EN55014-1:2006+A1:2009+A2:2011
- EN55014-2:1997+A1:2001+A2:2008
- EN61000-3-2:2014
- EN61000-3-3:2013

Veillez conserver votre ticket de caisse comme preuve d'achat.

Si toute pièce de ce produit s'avérait défectueuse du fait d'un vice de fabrication ou de matériau dans les 3 ANS suivant la date d'achat, Triton Precision Power Tools s'engage auprès de l'acheteur de ce produit à réparer ou, à sa discrétion, à remplacer gratuitement la pièce défectueuse.

Cette garantie ne s'applique pas à l'utilisation commerciale et ne s'étend pas non plus à l'usure normale ou aux dommages causés par des accidents, des mauvais traitements ou une utilisation impropre.

* Enregistrez votre produit en ligne dans les 30 jours suivant la date d'achat.

Offre soumise à conditions.


Ceci n'affecte pas vos droits statutaires.

Organisme notifié : TÜV Rheinland.

La documentation technique est conservée par : Triton

Date : 31/08/2016

Signature :



M. Darrell Morris

Directeur général

Nom et adresse du fabricant ou de son représentant agréé :

Powerbox International Limited, entreprise enregistrée sous le numéro 06897059. Powerbox, Boundary Way, Lufton Trading Estate, Yeovil, Somerset, BA22 8HZ, Royaume Uni.

Einführung

Vielen Dank, dass Sie sich für dieses Triton-Werkzeug entschieden haben. Diese Anleitung enthält wichtige Informationen für das sichere und effektive Arbeiten mit diesem Produkt. Bitte lesen Sie diese Anleitung sorgfältig durch, um den größtmöglichen Nutzen aus dem einzigartigen Design dieses Produkts ziehen zu können. Bewahren Sie diese Anleitung griffbereit auf und sorgen Sie dafür, dass alle Benutzer dieses Geräts sie gelesen und verstanden haben.

Symbolerklärung

Auf dem Typenschild des Werkzeugs sind möglicherweise Symbole abgebildet. Sie vermitteln wichtige Informationen über das Produkt oder dienen als Gebrauchsanweisung.



Gehörschutz tragen
Augenschutz tragen
Atemschutz tragen
Kopfschutz tragen



Schutzhandschuhe tragen



Bedienungsanleitung sorgfältig lesen



Achtung: Rückschlaggefahr!



WARNUNG! Scharfe Sägeblätter/-zähne!



Nur für den Innengebrauch!



Nicht im Regen oder in feuchter Umgebung verwenden!



Achtung, Gefahr!



Giftige Dämpfe oder Gase!



Nicht berühren!

Berühren Sie die Schutzvorrichtung nicht bevor das Gerät vom Stromnetz getrennt ist. Halten Sie Kinder und beistehende Personen während der Inbetriebnahme auf Abstand. Ablenkungen können dazu führen, dass Sie die Gerätekontrolle verlieren. Alle beistehenden Personen müssen einen Sicherheitsabstand zum Arbeitsbereich einhalten.



Vor Einstellungsänderungen, Zubehörwechsell, Reinigungs- und Instandhaltungsarbeiten sowie bei Nichtgebrauch stets von der Spannungsversorgung trennen!



Umweltschutz

Elektroaltgeräte dürfen nicht über den Haushaltsmüll entsorgt werden. Nach Möglichkeit bitte über entsprechende Einrichtungen entsorgen. Lassen Sie sich bezüglich der sachgemäßen Entsorgung von Elektrowerkzeugen von der zuständigen Behörde oder dem Händler beraten.

Technische Daten

Serien Nr.:	TWX7CS001
Leistung:	1800 W
Leerlaufdrehzahl:	4.500 min ⁻¹
Metallsägeblatt aus Karbid:	Entspricht EN 847-1, 254 x 30 x 2,6 mm, 40 Zähne
Abmessungen des Kreissägemoduls L x H x B:	679 x 449 x 422 mm
Max.Schnittleistung:	775 mm
Max. Schnitttiefe bei 90°:	86 mm +/-1 mm
Max. Schnitttiefe bei 45°:	59,5 mm +/-1 mm
Tischbreite mit Seitenanbau:	+600 mm
Tischlänge mit Abgabebau:	+670 mm
Max. Werkstückgröße L x B:	851 x 775 mm (ohne Seitenerweiterung und Abgabebau)
Größe des Staubabzugsanschluss:	64,5/ 32,6 mm
Gewicht:	15 kg
Geräusch- und Vibrationsinformationen	
Schalldruckpegel L_{pa}:	92,3 dB(A)
Schalleistungspegel L_{wa}:	104,6 dB(A)
Unsicherheit K:	2,5 dB
Der Schallintensitätspegel kann für den Bediener 85 dB(A) übersteigen und Lärmschutzmaßnahmen sind notwendig.	

WARNUNG! Tragen Sie in Bereichen, in denen der Lärmpegel 85 dB(A) überschreitet, unbedingt angemessenen Gehörschutz und begrenzen Sie nach Möglichkeit die Belastungsdauer. Sollte trotz Gehörschutz Unbehagen irgendeiner Art auftreten, beenden Sie die Arbeit unverzüglich und überprüfen Sie den Gehörschutz auf korrekten Sitz und Funktion und stellen Sie sicher, dass dieser einen angemessenen Schutz für den Lärmpegel bietet, der von den verwendeten Werkzeugen ausgeht.

WARNUNG! Bei der Benutzung mancher Werkzeuge wird der Benutzer Vibrationen ausgesetzt, welche zum Verlust des Tastsinns, zu Taubheitsgefühl, Kribbeln und zu einer Verminderung der Handgreifkraft führen können. Langfristige Belastung kann zu chronischen Beschwerden führen. Begrenzen Sie, falls nötig, die Exposition zu Vibrationen und tragen Sie vibrationsmindernde Handschuhe. Verwenden Sie dieses Werkzeug nicht mit kalten Händen, da Vibrationen bei Temperaturen unter dem individuellen Komfortbereich eine stärkere Wirkung zeigen. Beurteilen Sie die Vibrationsbelastung unter Zuhilfenahme der Technischen Daten des jeweiligen Werkzeuges und bestimmen Sie die zulässige Belastungsdauer und -häufigkeit.

Die in den Technischen Daten angegebenen Geräusch- und Vibrationsinformationen werden nach EN 60745 bzw. vergleichbaren internationalen Standards bestimmt. Die angegebenen Werte beziehen sich auf eine normale Benutzung des Werkzeuges unter normalen Arbeitsbedingungen. Schlecht gewartete, inkorrekt montierte und unsachgemäß verwendete Werkzeuge können erhöhte Schallpegel und Vibrationswerte aufweisen. Weitere Informationen zur EU-Vibrationsrichtlinie und zu Schall- sowie Vibrationsbelastungen, die auch für Heimanwender relevant sein können, finden Sie auf den Seiten der Europäischen Agentur für Sicherheit und Gesundheitsschutz am Arbeitsplatz: www.osha.europa.eu.

Allgemeine Sicherheitshinweise

WARNUNG! Bei der Benutzung von Elektrowerkzeugen müssen stets grundlegende Sicherheitsmaßnahmen einschließlich der folgenden Anweisungen getroffen werden, um das Risiko von Bränden, Elektroshocks und Personenschäden zu vermindern. Lesen Sie alle Anweisungen aufmerksam durch und bewahren Sie diese für zukünftiges Nachschlagen mit dem Gerät auf.

WARNUNG! Dieses Gerät darf nicht von Personen (wie z.B. Kindern) mit eingeschränkter körperlicher oder geistiger Fähigkeiten oder von Personen ohne Erfahrung im Umgang mit einem solchen Gerät betrieben werden, außer wenn sie von einer für ihre persönliche Sicherheit verantwortlichen Person in der Benutzung unterwiesen worden sind und dabei beaufsichtigt werden. Kinder müssen beaufsichtigt werden, um sicherzustellen, dass sie das Gerät nicht als Spielzeug verwenden.

ACHTUNG! Verwenden Sie Elektrowerkzeuge stets in Übereinstimmung mit diesen Anweisungen und beachten Sie dabei die Arbeitsplatzbedingungen und die auszuführenden Tätigkeiten. Eine Benutzung von Elektrowerkzeugen für Tätigkeiten, für die sie nicht konzipiert wurden, kann zu gefährlichen Situationen führen.

Der Begriff „Elektrowerkzeug“ in den folgenden Warnhinweisen bezieht sich sowohl auf netzgebundene Geräte sowie Akkugeräte (schnurlose Geräte).

1 – **Halten Sie den Arbeitsbereich sauber und aufgeräumt.** – Unordnung auf Werkbänken und Böden begünstigt Verletzungen.

2 – **Beachten Sie die Arbeitsplatzbedingungen.**

- Verwenden Sie Werkzeuge niemals im Regen.

- Verwenden Sie Werkzeuge niemals in feuchten oder nassen Bereichen.

- Sorgen Sie für angemessene Beleuchtung von Arbeitsbereichen.

- Verwenden Sie Werkzeuge niemals in der Nähe von brennbaren Flüssigkeiten.

3 – **Schützen Sie sich vor elektrischen Schlägen.** – Vermeiden Sie Kontakt mit geerdeten Objekten und Oberflächen wie z.B. Rohrleitungen, Heizkörpern, Haushaltsgeräten usw.

4 – **Halten Sie andere Personen vom Arbeitsplatz fern.** – Achten Sie darauf, dass Personen, die nicht direkt am Arbeitsvorgang beteiligt sind, insbesondere Kinder, von Werkzeugen und Werkstücken fernbleiben, Werkzeuge und deren Anschlussleitungen nicht berühren und sich nicht im Arbeitsbereich aufhalten.

5 – **Entfernen Sie nicht benötigte Werkzeuge aus dem Arbeitsbereich.** – Nicht verwendete Werkzeuge sollten an einem sicheren, trockenen Ort außerhalb der Reichweite von Kindern gelagert und eingeschlossen werden.

6 – **Wenden Sie bei der Benutzung von Werkzeugen keine Gewalt an.** – Werkzeuge erzeugen die besten und effektivsten Ergebnisse, wenn sie mit der Geschwindigkeit und dem Vorschub verwendet werden, für welche sie konzipiert wurden.

7 – **Verwenden Sie für die auszuführende Aufgabe geeignete Werkzeuge.** – Kleine, leichte Werkzeuge verfügen nicht über die gleiche Leistung wie schwere Profi-Werkzeuge.

Verwenden Sie Werkzeuge niemals zweckfremd; z.B. dürfen Kreissägen nicht zum Sägen von Baumstämmen oder Ästen verwendet werden.

8 – **Tragen Sie geeignete Arbeitskleidung.**

- Tragen Sie weder lose Kleidung noch Schmuck, da sich diese in den beweglichen Komponenten von Maschinen verfangen könnten.

- Tragen Sie stets geeignete Sicherheitsschuhe.

- Decken Sie lange Haare ab.

9 – **Verwenden Sie geeignete persönliche Schutzausrüstung.**

- Tragen Sie stets eine geeignete Schutzbrille.

- Tragen Sie bei staubigen Arbeiten stets eine Atemschutzmaske.

WARNUNG! Falls keine persönliche Schutzausrüstung getragen wird, können schwerwiegende Verletzungen und Erkrankungen auftreten.

10 – **Verwenden Sie Staubabsaugungsausrüstung.** – Verwenden Sie Geräte mit Staubabsauganschluss stets mit einer geeigneten Absaugvorrichtung.

11 – **Verwenden Sie die Anschlussleitung nicht missbräuchlich.** – Ziehen Sie niemals am Kabel, um dieses aus der Steckdose zu entfernen. Halten Sie Anschlussleitungen fern von Hitze, Schmiermitteln und scharfen Kanten. Beschädigte und abgenutzte Leitungen erhöhen das Risiko von elektrischen Schlägen.

12 – **Fixieren Sie Ihre Werkstücke.** – Verwenden Sie stets Schraubzwingen, Schraubstöcke und andere Klemmvorrichtungen, um Werkstücke sicher zu fixieren. Dies ist sicherer als das Halten von Hand.

13 – **Nicht zu weit hinauslehnen.** – Bleiben Sie standfest und halten Sie stets Ihr Gleichgewicht.

14 – **Führen Sie Instandhaltungsarbeiten sorgfältig durch.**

- Halten Sie Schneidwerkzeuge scharf. Werkzeuge mit scharfen Schneiden sind besser zu kontrollieren und verkanten sich weniger leicht.

- Befolgen Sie die Anweisung zur Schmierung und zum Austausch von Zubehörteilen.

- Überprüfen Sie Anschlussleitungen in regelmäßigen Abständen und lassen Sie diese bei Beschädigung oder Abnutzung von einem autorisierten Servicetechniker austauschen.

- Halten Sie Griffe trocken, sauber und frei von Schmierstoffen.

WARNUNG! Viele Unfälle mit Elektrowerkzeugen sind auf unzureichende Instandhaltung zurückzuführen.

15 – **Trennen Sie Geräte nach dem Gebrauch vom Stromnetz.** – Trennen Sie Elektrowerkzeuge stets von der Spannungsversorgung, bevor Sie Wartungsarbeiten durchführen und Zubehör abnehmen oder anbringen.

WARNUNG! Die Verwendung von Zubehör, das nicht vom Hersteller des Elektrowerkzeugs empfohlen wird, kann zu schwerwiegenden Sach- und Personenschäden führen.

16 – **Entfernen Sie stets alle Werkzeuge vom Gerät.** – Machen Sie es sich zur Gewohnheit, vor dem Einschalten von Elektrowerkzeugen zu überprüfen, dass alle beim Zubehörfwechsel oder zur Justierung verwendeten Werkzeuge (z.B. Innensechskant-, Maul- u. Stiftschlüssel) entfernt wurden.

17 – **Vermeiden Sie unbeabsichtigtes Einschalten.** – Vergewissern Sie sich, dass sich der Betriebsschalter von Elektrowerkzeugen im ausgeschalteten Zustand befindet, bevor Sie das Werkzeug mit dem Stromnetz verbinden bzw. Akkus einsetzen.

WARNUNG! Ein unbeabsichtigtes Einschalten von Elektrowerkzeugen kann zu schwerwiegenden Sach- und Personenschäden führen.

18 – **Verwenden Sie geeignete Verlängerungsleitungen.** – Falls das Elektrowerkzeug in Außenbereichen verwendet wird, muss eine speziell für Außenbereiche geeignete Verlängerungsleitung verwendet werden. Dies vermindert das Risiko von elektrischen Schlägen.

19 – **Seien Sie aufmerksam.**

- Achten Sie darauf, was Sie tun, wenden Sie gutes Urteilsvermögen an und verwenden Sie Werkzeuge niemals, wenn Sie müde sind.

- Verwenden Sie Elektrowerkzeuge niemals, wenn Sie unter dem Einfluss von Drogen, Alkohol oder Medikamenten stehen.

WARNUNG! Ein Moment der Unachtsamkeit kann zu schweren Verletzungen führen.

20 – **Überprüfen Sie den Zustand von Werkzeugen vor der Benutzung.**

- Das Werkzeug muss vor jeder Verwendung auf Beschädigungen überprüft werden. Vergewissern Sie sich, dass sich das Gerät in einem Zustand befindet, in dem es seine normale Funktion sicher erfüllen kann.

- Begutachten Sie bewegliche Teile auf feste Verbindung, korrekte Ausrichtung, Schäden, korrekte Montage und andere Fehlerzustände, die ihre Funktion beeinträchtigen könnten.

- Beschädigte Schutzvorrichtungen und andere fehlerhafte Komponenten müssen von einem autorisierten Servicetechniker repariert oder ausgetauscht werden, außer wenn in dieser Bedienungsanleitung abweichend beschrieben.

- Defekte Schalter müssen von einem autorisierten Servicetechniker ausgetauscht werden.

WARNUNG! Verwenden Sie das Gerät nicht, falls es sich nicht über den Ein-/Aussschalter einschalten und auch ausschalten lässt. Der Schalter muss zur sicheren Verwendung ausgetauscht werden.

21 – **Lassen Sie das Werkzeug ausschließlich von qualifizierten Technikern warten und reparieren.** –

Dieses Elektrowerkzeug entspricht den relevanten Sicherheitsvorschriften. Reparaturen dürfen ausschließlich von autorisierten Servicetechnikern durchgeführt werden, da unsachgemäße Reparaturen eine ernstzunehmende Gefahr darstellen können.

WARNUNG! Verwenden Sie zur Instandhaltung ausschließlich identische Originalersatzteile.

WARNUNG! Eine beschädigte Anschlussleitung muss durch den Hersteller oder eine autorisierte Fachwerkstatt ausgetauscht werden.

22 – **Der Netzstecker des Gerätes darf ausschließlich an einer geeigneten Steckdose verwendet werden.**

– Der Netzstecker des Gerätes darf niemals modifiziert werden. Verwenden Sie keine Adapter mit geerdeten Elektrowerkzeugen. Dies trägt zum Schutz vor elektrischen Schlägen bei.

23 – **Bei der Verwendung in Außenbereichen muss das Gerät an einem Stromkreis betrieben werden, der von einem Fehlerstromschutzschalter abgesichert ist.** Die Verwendung von FI-Schaltern vermindert die Gefahr elektrischer Schläge.

HINWEIS: Fehlerstromschutzschalter werden auch als FI-Schalter, FI-Schutzschalter oder RCDs bezeichnet.

WARNUNG! In Australien und Neuseeland darf dieses Gerät nur unter Verwendung einer Fehlerstromschutzeinrichtung (FI-Schalter) mit einem Bemessungsfehlerstrom von höchstens 30 mA an die Spannungsversorgung angeschlossen werden.

WARNHINWEISE: Stellen Sie vor Anschluss eines Werkzeugs an eine Stromquelle (Steckdose, Stromanschluss u.ä.) sicher, dass die Netzspannung der auf dem Typenschild des Werkzeugs angegebenen Spannung entspricht. Eine Stromquelle mit einer höheren Spannung als der für das Werkzeug spezifizierten Spannung kann zu schweren Verletzungen des Bedieners sowie Beschädigung des Werkzeugs führen. Schließen Sie das Werkzeug im Zweifelsfall nicht an. Eine niedrigere Spannung als auf dem Typenschild angegeben schadet dem Motor.

Verpolungssichere Stecker (nur für Nordamerika): Um das Risiko elektrischer Schläge zu verringern, ist dieses Gerät mit einem verpolungssicheren Netzstecker ausgestattet (ein Steckerkontakt ist breiter als der andere). Dieser Stecker kann nur in einer Position in eine geeignete Steckdose eingesteckt werden. Falls der Stecker nicht vollständig in die Steckdose eingesteckt werden kann, ziehen Sie ihn heraus und stecken Sie ihn umgekehrt wieder ein. Sollte der Stecker noch immer nicht passen, lassen Sie eine geeignete Steckdose durch einen qualifizierten Elektriker installieren. Verändern Sie die Steckdose niemals eigenmächtig.

Zusätzliche Sicherheitshinweise für Kreissägen

Tragen Sie bei der Arbeit mit dieser Säge stets persönliche Schutzausrüstung einschließlich (aber nicht beschränkt auf) Augen- und Gehörschutz, Staubschutzmaske und Schutzhandschuhe. Sorgen Sie dafür, dass sich im Arbeitsbereich aufhaltende Personen ebenfalls angemessene Schutzausrüstung verwenden. Umstehende müssen ausreichend Sicherheitsabstand einhalten.

⚠️ WARNUNG! Schließen Sie den Absaugstutzen an der Schutzhaube stets an eine entsprechend geeignete Absauganlage an. Einige Holzarten sind giftig oder können allergische Reaktionen hervorrufen, wenn Personen oder Tiere insbesondere sehr feinem Staub ausgesetzt sind. Tragen Sie zusätzlich zur Staubabsaugung stets angemessenen Atemschutz.

⚠️ WARNUNG! Die Nenn-Geschwindigkeit des Sägeblattes muss mindestens gleich der maximalen Geschwindigkeit der auf der Tischsäge gekennzeichnet sein. Zubehör, welches eine größere Nenn-Geschwindigkeit als das Gerät hat, können wegbrechen und weggeschleudert werden.

a) **Setzen Sie ausschließlich Kreissägen in den Sägetisch ein, die laut „Technischen Daten“ als mit dem Tisch kompatibel aufgeführt sind.** Verwenden Sie nur mit der Säge kompatible Sägeblätter und stellen Sie sicher, dass der Spaltkeil nicht dicker als die Schnittriffung und nicht dünner als das Sägeblatt ist.

b) **Der Arbeitsbereich muss sicher und ausreichend ausgeleuchtet sowie frei von Hindernissen, Stolperfallen und anderen möglichen Gefahrenquellen sein.**

c) **Bearbeiten Sie niemals Metall oder Mauerwerk enthaltende Trockenbaumaterialien mit dieser Tischkreissäge.** Sie ist ausschließlich zum Sägen von Holz und ähnlich beschaffenen Werkstoffen konzipiert.

d) **An dieser Tischkreissäge darf kein Profilsägekopf verwendet werden.** Die mit dem Sägekopf kompatiblen Kreissägen und der Sägetisch selbst sind nicht für diese Bearbeitungsart geeignet.

e) **Der Arbeitsbereich muss stets gut belüftet sein.** Entfernen Sie anfallendes Sägemehl regelmäßig aus dem Arbeitsbereich und von der Säge, um eine mögliche Brandgefahr zu verhindern.

f) **Entfernen Sie niemals Holzstücke oder Sägemehl mit den Händen aus der Nähe des Sägeblattes, wenn sich dieses dreht.** Schalten Sie stets zunächst die Säge aus, trennen Sie sie vom Stromnetz und warten Sie, bis das Sägeblatt zum völligen Stillstand gekommen ist. Tragen Sie zur Vermeidung von Verletzungen immer schnittfesteste Schutzhandschuhe, wenn Sie das Sägeblatt berühren.

g) **Lassen Sie die laufende Säge niemals unbeaufsichtigt.** Warten Sie nach dem Abschalten, bis das Sägeblatt vollständig ausgelaufen ist, bevor Sie die Säge verlassen.

h) **Lesen Sie die Hinweise unter „Maßnahmen zur Verhinderung von Rückschlag“ aufmerksam durch und befolgen Sie sie bei Verwendung der Tischkreissäge.**

i) **Führen Sie das Werkstück dem Sägeblatt stets gegen die Drehrichtung zu.** Der Pfeil in der Tischplatte zeigt die korrekte Vorschubrichtung an.

j) **Verwenden Sie für Längsschnitte stets den Parallelenschlag.** Vergewissern Sie sich, dass der Anschlag parallel zum Sägeblatt liegt und nicht in Richtung Sägeblatt angewinkelt ist. Der Anschlag muss an beiden Enden sicher arretiert sein.

k) **Halten Sie das Werkstück stets fest gegen den Parallel- oder Gehrungsanschlag gedrückt.** Verwenden Sie den Parallelenschlag niemals im selben Arbeitsschritt zusammen mit dem Gehrungsanschlag.

l) **Entfernen Sie niemals die Schutzhaube oder den Spaltkeil.** Beide sind Bestandteile der Schutzeinrichtung.

m) **Verwenden Sie beim Längsschneiden schmaler Werkstücke stets einen Schiebestock, damit Ihre Hand dem Sägeblatt nicht zu nahe kommt.** Der Schiebestock muss stets schmaler als das Werkstück sein, um eine Berührung des Schiebestockes mit dem Sägeblatt zu verhindern. Benutzen Sie einen Druckkamm und Schiebeklötze zum Schlützen (im Werkstück bedendete Schnitte). Bewahren Sie den Schiebestock bei Nichtgebrauch zusammen mit der Säge auf.

n) **Nehmen Sie niemals Freihandschnitte vor und führen Sie das Werkstück nicht nur mit den Händen.** Setzen Sie stets entweder einen Parallel- oder Gehrungsanschlag zum Positionieren und Führen des Werkstücks ein.

o) **Greifen Sie niemals hinter oder über das Sägeblatt und halten Sie die Hände stets in einem Abstand von mindestens 75 mm vom Sägeblatt entfernt.**

p) **Legen Sie den Parallelenschlag zur Durchführung von Querschnitten stets beiseite.** Setzen Sie den Parallelenschlag niemals als Kappanschlag beim Querschneiden ein.

q) **Befreien Sie ein festgefahrenes Sägeblatt niemals bei eingeschalteter Säge.** Schalten Sie das Gerät zuvor stets ab und trennen Sie es vom Stromnetz.

r) **Stützen Sie große Werkstücke am Zuführ- und am Abnahmetisch sowie bei Bedarf zusätzlich an den Seiten ab.** Verwenden Sie nach Möglichkeit Rollen- oder Sägeböcke.

s) **Lassen Sie das Werkstück erst los, wenn es vollständig am Sägeblatt vorbeigeführt worden ist, und verwenden Sie bei Bedarf einen Schiebestock.**

t) **Vermeiden Sie unregelmäßig geformte Werkstücke, die über keine gerade Kante zum Anlegen an den Parallelenschlag verfügen.**

u) **Bearbeiten Sie mit Tischkreissägen keine runden Werkstücke.** Tischkreissägen dürfen nicht zum Schneiden von Holzstämmen und Feuerholz eingesetzt werden.

v) **Vermeiden Sie unnatürliche Körperhaltungen und Handpositionen, bei denen Ihre Hand oder ein anderer Körperteil im Falle eines Abrutschens mit dem Sägeblatt in Kontakt kommen könnte.**

- w) **Überprüfen Sie vor Inbetriebnahme die Einlegeplatte.** *Wechseln Sie eine beschädigte oder abgenutzte Einlegeplatte umgehend aus.*
- x) **Verwenden Sie ausschließlich in dieser Betriebsanweisung aufgeführtes, mit der Säge kompatibles Zubehör.** *Die Verwendung nicht kompatibler Zubehörteile birgt grundsätzliche Gefahren und kann schwere Personen- und/oder Sachschäden verursachen. Befolgen Sie stets sämtliche, mit dem Zubehör gelieferte Sicherheitsvorschriften und vorgegebene Arbeitsverfahren.*
- y) **Schalten Sie die Säge stets aus, bevor Sie sie vom Stromnetz trennen.** *Dadurch wird ein versehentliches Anlaufen nach Wiederanschluss der Säge ans Stromnetz verhindert.*
- z) **Tragen Sie bei der Handhabung des Sägeblattes stets entsprechend geeignete, schnittfesteste Schutzhandschuhe.** *Nichtbefolgung kann zu Schnitt- und anderen Verletzungen des Bedieners führen.*

Maßnahmen zur Verhinderung von Rückschlag

Hinweis: Rückschlag bezeichnet eine plötzliche Reaktion auf ein verklemmtes, verhaktes oder fehlauggerichtetes Sägeblatt und führt dazu, dass das Werkstück in Richtung Bediener geworfen wird. Durch Rückschlag kann auch die Hand des Bedieners in das Sägeblatt gezogen werden und schwere Verletzungen verursachen.

WARNUNG! Rückschlag resultiert aus missbräuchlichem und/oder unsachgemäßem Betrieb der Säge oder ungeeigneten Bedingungen und kann durch die nachfolgenden Vorsichtsmaßnahmen kontrolliert oder sogar vermieden werden:

- a) **Verwenden Sie die Säge nur bei montiertem Spaltkeil.** *Entfernen Sie den Spaltkeil niemals, da sich sonst der Sägespalt schließen und das Sägeblatt einklemmen könnte.*
- b) **Nehmen Sie keine Schnitte mit einem stumpfen oder verformten Sägeblatt vor.** *Vergewissern Sie sich außerdem stets, dass sich das Sägeblatt für den zu bearbeitenden Werkstoff eignet.*
- c) **Sorgen Sie stets dafür, dass der Parallelanschlag absolut parallel zum Sägeblatt liegt.** *Wenn der Anschlag nach innen zum Sägeblatt geneigt ist, kann das Werkstück die hintere Kante des Sägeblattes berühren und dadurch plötzlich zurück zum Bediener geworfen werden.*
- d) **Verwenden Sie den Parallel- und den Gehrungsanschlag niemals gleichzeitig.** *Dies kann schweren Rückschlag und ernste Verletzungen verursachen.*
- e) **Lassen Sie bei der Bearbeitung großer Platten stets Vorsicht walten.** *Sorgen Sie dafür, dass größere Werkstücke am Zuführ- und Abnahmetisch ausreichend abgestützt sind.*
- f) **Bearbeiten Sie keine runden Werkstücke oder solche, die nicht flach auf dem Sägetisch aufliegen.** *Schneiden Sie kein verwundenes, verzogenes oder astiges Holz.*
- g) **Sägen Sie kein feuchtes Holz, weil dadurch die Reibung auf das Sägeblatt erhöht wird.** *Zudem könnte sich feuchtes Sägemehl am Sägeblatt ablagern und die Rückschlaggefahr weiter verstärken.*
- h) **Halten Sie das Werkstück stets gut mit beiden Händen fest und wählen Sie eine Armhaltung, bei der Sie Rückschlagkräften entgegenzuwirken vermögen.**
- i) **Bringen Sie Ihren Körper nicht auf eine Linie mit dem Sägeblatt, sondern stellen Sie sich immer seitlich zum Sägeblatt.**
- j) **Nehmen Sie das Werkstück nicht vor Beenden des Arbeitsschrittes vom Sägeblatt.** *Wenn Sie einen Schrittdurchgang unterbrechen müssen, schalten Sie die Säge aus und entfernen Sie das Werkstück erst, wenn das Sägeblatt zum völligen Stillstand gekommen ist.*
- k) **Senken Sie Werkstücke niemals auf das Sägeblatt ab.** *Nehmen Sie mit der Tischkreissäge keine Tauchschnitte vor.*
- l) **Verwenden Sie nach Bedarf stets Schiebestöcke oder -klötze, um das Werkstück dem Sägeblatt zuzuführen.** *Halten Sie das Werkstück nach Möglichkeit mit Druckkämmen nieder.*

Geräteübersicht

1. Netzkabelstecker
2. Sägeblatt
3. Sägeblattschutz
4. Sägeblatt-Staubabzugstutzen
5. Schutzvorrichtungsschraube
6. Spaltkeil
7. Spaltkeil-Sperrschraube
8. Kohlebürstenabdeckung
9. Staubabzugsanschluss
10. Modul-Nivellierspule
11. Modulführungs Rolle
12. Staubrinnenabdeckung
13. Sägeblatthöhenkurbel
14. Schnittwinkel Einstellung
15. 45°-Gehrungsschnittschraube
16. 0°-Gehrungsschnittschraube
17. Schnittwinkelanzeige
18. Winkelkalibrierschraube
19. Verschlusshebel
20. Daumenlöcher
21. Handschlitze
22. Zugangsloch für die Durchtrittsplatte
23. Modul-Nivellierspulenschraube
24. Nivellierschraube für die Durchtrittsplatte
25. Durchtrittsplatte
26. Stichplatte
27. Seitliche Ausrichtsrolle
28. Modul-Nivellierschraube
29. Tischoberfläche des Moduls
30. Spindelhalter
31. Sägeblatt-Sicherungsmutter
32. Spindel
33. Sägeblatfflansch
34. Sicherungsknopf
35. Spaltkeil-Einstellschraube
36. Montagestutzen
37. Befestigungsschraube
38. Schiebestock
39. Multi-Tool 1
40. Multi-Tool 2

41. Winkelmesser
42. Werkbank-Feststellknopf
43. Verstellbarer Frontanschlag
44. Stützfuß
45. 45° Winkelanschlag
46. Winkelführung
47. Winkelskala
48. Winkelsucher
49. Werkbankschiene
50. Winkeleinstellknopf
51. Parallelanschlag
52. Parallelanschlagsarme

Bestimmungsgemäße Anwendung

Effektive Tischkreissäge für Gehrungs-, Winkel- und Querschnitte. Nur für Holz und holzähnliche Materialien geeignet. Inklusive Winkelmesser und Parallelanschlag. Für den Einsatz mit dem Triton-TWX7-Workcenter und Zubehör konzipiert.

Auspacken des Gerätes

- Packen Sie Ihr Gerät vorsichtig aus und überprüfen Sie es. Machen Sie sich vollständig mit allen Eigenschaften und Funktionen vertraut.
- Vergewissern Sie sich, dass sämtliche Teile des Gerätes vorhanden und in einwandfreiem Zustand sind. Sollten Teile fehlen oder beschädigt sein, lassen Sie diese ersetzen, bevor Sie das Gerät verwenden.

WICHTIG! Lesen Sie die Bedienungsanleitung in Verbindung mit denen des TWX7 Workcenter.

Eine Videoanleitung finden Sie auf www.tritontools.com.

Vor Inbetriebnahme

 **WARNUNG!** Vergewissern Sie sich das die Workcenter ausgeschaltet und vom Stromnetz getrennt ist, bevor Sie Zubehör wechseln, Module einsetzen bzw. entnehmen und Einstellungen vornehmen.

WARNUNG: Tragen Sie STETS geeignete Schnittschutzhandschuhe wenn Sie mit Sägeblättern hantieren. Ein Nichtbeachten kann zu Schnittverletzungen oder Verletzungen führen.

Modul-Nivellierschrauben Installation

- Stellen Sie das Kreissägemodul auf eine ebene Grundfläche und installieren Sie die Nivellierspulen (23), Modul Nivellierschrauben (28) und die Modul-Führungsrollen (11) wie in Abbildung A gezeigt wird.

Einsetzen und Entnehmen der Module

 **WARNUNG!** Benutzen Sie die Handschlitze (21) wenn Sie das Kreissägemodul tragen.

Hinweis: Um das Kreissägemodul in den Workcenter einfügen zu können muss das Sägeblatt (2) auf eine 45° Position eingestellt werden. Zu Einstellungen des Sägeblattwinkels, schauen Sie sich die Anleitung unter „Sägeblatteinstellung“ an.

Modul einsetzen:

WARNUNG! Senken Sie das Sägeblatt (2) in eine sichere Höhenposition bevor Sie das Kreissägemodul einsetzen oder entfernen.

WARNUNG! Einige Module sind sehr schwer, besonders wenn sie Elektrowerkzeuge beinhalten. Tragen Sie STETS Module bei den Handschlitzen (21), und sichern Sie Ihren Stand und Körperhaltung. Vermeiden Sie eine ungewöhnliche Körperhaltung wenn Sie Module einsetzen oder entfernen.

WICHTIG! Senken Sie Module STETS vorsichtig, nutzen Sie hier die dafür vorgesehen Daumenlöcher (20).

Unkontrolliertes senken kann zu Beschädigungen des Workcenters, des Moduls und dessen Elektrowerkzeug führen oder den Benutzer verletzen,

 **WARNUNG!** Achten Sie beim Einsetzen des Modules darauf, dass sich keine Finger oder andere Körperteile zwischen Modul und Werkbankgestell befinden.

- Schieben Sie Modulführungsrollen (11) in die Modul-Führungsschiene ein und senken Sie das Modul vorsichtig, siehe Abb. B.

- Schalten Sie beide Modulperrhebel in die Schließ-“locked“ Position, siehe Abb. C.

Hinweis: Vergewissern Sie sich, dass die Modul-Nivellierspulenschrauben (23) genau auf die Nivellierspulen ausgerichtet sind. Die Modul-Nivellierschrauben (28) müssen nun eingestellt werden um ein Spiel zwischen Modul und dem Gestell des Workcenters zu beseitigen.

Modul entfernen:

- Schalten Sie die Modulperrhebel in die Offen ‘unlocked’ Position. Heben Sie das Modul mit Hilfe der Daumenläucher vom Gestell und schieben Sie die Modulrollen (11) von der Modul-Führungsschiene, siehe Abb. B.

Nivellieren der Module

- In Abbildung D sehen Sie die Reihenfolge wie Module mit Hilfe der Modul-Nivellierspulenschrauben (23) und der Modul-Nivellierschrauben (28), ausgerichtet werden.
- Überprüfen Sie mit einer geraden Kante ob das Modul mit der Tischoberfläche ausgerichtet ist, Abb.E. Falls das Modul uneben sein sollte, wiederholen Sie die oben genannten Schritte.

Zusammenbau des Kreissägemoduls

- Siehe Abbildungen A – L zusammen mit den unten angeführten Informationen zum Zusammenbau des Kreissägemoduls.

Spaltkeil Installation

WARNUNG! Vergewissern Sie sich, dass der Spaltkeil (6) in der richtigen Position eingerastet ist, bevor Sie die Säge benutzen.

1. Stellen Sie das Sägeblatt (2) auf die Position 0° ein. Mit der Sägeblatthöhenkurbel (13) nun das Sägeblatt auf seine höchste Stellung anheben.
2. Lösen Sie die Sechskantschrauben am Zufuhr-Ende der Durchtrittsplatte (25), und mit Hilfe des Zugangslochs der Durchtrittsplatte (22) die Platte freigeben, Abb. F.
3. Schieben Sie den Spaltkeil (6) in die Befestigungshalterung und ziehen Sie den Sicherungsknopf (34) an, Abb. G.

Ausrichten der Durchtrittsplatte

WARNUNG! Vergewissern Sie sich, dass die Durchtrittsplatte (25) vor der Inbetriebnahme richtig installiert und ausgerichtet ist.

1. Richten Sie die Durchtrittsplatte mit Hilfe der Nivellierschraube der Durchtrittsplatte (24) aus.
2. Überprüfen Sie mit einer geraden Kante ob die Durchtrittsplatte mit dem Rest der Tischoberfläche eben steht, sollte diese nicht richtig ausgerichtet sein, wiederholen Sie den oben genannten Schritt erneut.

Sägeblatteinstellung

- Um den Schnittwinkel des Sägeblattes (2) einzustellen:

1. Öffnen Sie den Verschlusshebel (19).
2. Drehen Sie die Schnittwinklereinstellung (14) um den Schnittwinkel zu verändern.

3. Die Schnittwinkelanzeige (17) gibt Aufschluss über den gewählten Winkel.

- Um die Höheneinstellung des Sägeblattes zu verändern drehen Sie die Sägeblatthöhenkurbel (13) wie folgend:
- Im Uhrzeigersinn – um das Sägeblatt anzuheben.
- Im Gegenuhrzeigersinn – um das Sägeblatt zu senken.

Kalibrieren des Sägeblattes

Hinweis: Zum Kalibrieren des Sägeblattes (2) beziehen Sie sich auf Abbildung H.

1. Stellen Sie das Sägeblatt (2) auf die Position 0° ein. Mit der Sägeblatthöhenkurbel (13) nun das Sägeblatt auf seine höchste Stellung anheben.
2. Richten Sie das Sägeblatt mit Hilfe der Schnittwinkeleinstellung (14) so ein, dass es lotrecht zur Tischoberfläche steht.
3. Halten Sie ein Geodreieck (nicht mitgeliefert) flach gegen die Tischoberfläche und gegen das Sägeblatt.
4. Lösen Sie die 0° Gehrungsschnittschraube (16).
5. Stellen Sie den Sägeblattwinkel so ein, dass dieser parallel zum Geodreieck steht.
6. Lösen Sie die Winkelkalibrierschraube (18) und richten Sie die rote Anzeige mit dem "0°" auf der Schnittwinkelanzeige (17) aus.
7. Befestigen Sie das Sägeblatt mit dem Verschlusshebel (19) in seine Position.
8. Ziehen Sie die 0° Gehrungsschnittschraube an.
9. Lösen Sie die 45° Gehrungsschnittschraube (15).
10. Bringen Sie das Sägeblatt auf eine 45° Position.
11. Ziehen Sie die 45° Gehrungsschnittschraube an und prüfen Sie das die Winkelanzeige 45° anzeigt. Falls die Winkelanzeige nicht 45° anzeigt sollte nachdem die Gehrungsschnittschraube festgezogen ist, wiederholen Sie die Schritte 9 – 11.

Ausrichten des Spaltkeils

1. Stellen Sie das Sägeblatt (2) auf die Position 0° ein. Mit der Sägeblatthöhenkurbel (13) nun das Sägeblatt auf seine höchste Stellung anheben.
2. Lösen Sie die Sechskantschrauben am Zufuhr-Ende der Durchtrittsplatte (25), und mit Hilfe des Zugangslöchs der Durchtrittsplatte (22) die Platte freigeben. Abb. F
3. Lösen Sie die Spaltkeil-Einstellschraube (35) und die Spaltkeil-Sperrschraube (7)
4. Halten Sie zwei gerade Kanten, zum Beispiel ein Maßstab, gegen die Seiten des Sägeblattes und des Spaltkeils.
5. Entfernen Sie die geraden Kanten und ziehen Sie erst die Spaltkeil-Einstellschraube und danach die Spaltkeil-Sperrschraube an.
6. Prüfen Sie nun ob Spaltkeil und Sägeblatt aufeinander ausgerichtet sind. Sollte dies nicht der Fall sein, wiederholen Sie Schritte 3 – 5 bis diese exakt ausgerichtet sind.
7. Bringen Sie die Durchtrittsplatte wieder an, das Spaltkeil ist nun ausgerichtet.

Parallelanschlag

- Klappen Sie die Arme des Parallelenschlages (52) aus und schieben Sie diese in die Anschlagsschienen des Workcentersrahmens, wie in Abbildung I gezeigt wird, ein.
- Die Arme des Parallelenschlages zeigen eine Skaleneinteilung an. In Verbindung mit der Parallelenschlagsanzeige können hier präzise Breitenabmessungen der Werkstücke vorgenommen werden.

Winkelmesser

- Lösen Sie den Werkbank-Feststellknopf (42) und schieben Sie die Werkbankschiene (49) in die T-Schlitz des Workcenterrahmens, Abb. J
- Ziehen Sie den Werkbank-Feststellknopf an um den Winkelmesser (41) zu befestigen.
- Winkeleinstellungen können vorgenommen werden, indem Sie den Winkeleinstellknopf (50) entriegeln und den Winkelmesser in den gewünschten Winkel einstellen.
- Der Winkel wird nun mit dem Winkelsucher (48) angezeigt.
- Der Frontanschlag (43) kann durch lösen der Sechskantschrauben so eingestellt werden, dass Werkstücke von verschiedener Größe bearbeitet werden können.
- Drehen Sie den Winkelmesser herum und stellen Sie diesen auf die 0° Position ein, um den 45° Winkelanschlag (45) für präzise Winkelschnitte von 45° nutzen zu können.

Staubabzug

WARNUNG! Schließen Sie den Absaugstutzen an der Schutzhaube stets an eine entsprechend geeignete Absauganlage an.

WARNUNG! Einige Holzarten sind giftig und können allergische Reaktionen hervorrufen, wenn Personen oder Tiere insbesondere sehr feinem Staub ausgesetzt sind. Tragen Sie zusätzlich zur Staubabsaugung stets angemessenen Atemschutz. Schädlicher Span- und Staubabfall muss entsprechend der gesetzlichen Vorschriften ordnungsgemäß entsorgt werden.

- Obwohl ein Staubabzug mit einem gewöhnlichen Staubsauger mit Staubbeutel erzielt werden kann, füllen sich diese sehr schnell. Mit einem an Ihren Staubsauger angeschlossenen Triton-Staubammelbehälter (DCA300), können Sie das Fassungsvermögen um ein vielfaches erweitern.
- Die elektrische Belastung bei einem kombinierten Anschluss beider Geräte, Kreissäge und Staubsauger, könnte die Nenn-Stromstärke des häuslichen Elektro-Anschlusses übertreffen. Schließen Sie STETS Ihren Staubsauger und die Kreissäge an separate Elektrosteckdosen an und schalten Sie beide Elektrogeräte getrennt voneinander an.

Anschluss an das Stromnetz

Hinweis: Dieser Workcenter ist mit einer Netzstrom-Trennsteckdose mit Elektrokabel ausgestattet um den Anschluss von Elektrogeräten zu ermöglichen, Abb. K.

Schließen Sie den Workcenter mit Hilfe des Netzsteckers an das Stromnetz an.

- Elektrogeräte lassen sich zur Stromversorgung an das Elektrokabel anschließen.
1. Elektrogeräte müssen an den Schaltkasten des Workcenters angeschlossen werden.
 2. Falls es nötig sein sollte, können geeignete Verlängerungskabel benutzt werden um das Stromkabel des Workcenters zu erweitern.

WARNUNG! Benutzen Sie nur Verlängerungskabel die in einem guten Zustand und mit einer ausreichenden Spannung versehen sind um angeschlossene Elektrogeräte zu versorgen. Verlängerungskabel mit zu niedriger Leistung, können dazu führen das die Spannung des Stromnetzes abfällt, was zu Stromausfall führen kann und ein Überhitzen und Ausbrennen des Elektromotors verursacht.

Bedienung

⚠️ WARNUNG! Tragen Sie STETS ausreichenden Augen-, Atem- u. Gehörschutz und geeignete Schutzhandschuhe wenn Sie dieses Gerät bedienen.

WICHTIG! Das Kreissägemodul ist mit einer Schnittrichtungsführung gekennzeichnet, diese zeigt die korrekte und sichere Richtung an um Werkstücke zu trennen.

WARNUNG! Bringen Sie den Workcenter nicht aus dem Gleichgewicht indem Sie zu große Werkstücke bearbeiten.

WARNUNG! Vergewissern Sie sich STETS vor Inbetriebnahme das die Durchtrittsplatte (25) installiert und ausgerichtet ist.

Hinweis: Beziehen Sie sich auf die Bedienungsanleitung des TWX7- Workcenters für weitere Informationen und Diagramme die Bezug auf Teile des Workcenters nehmen.

Workcenter Schaltkasten

WICHTIG! Der Schaltkasten benötigt eine Stromversorgung um angeschaltet zu werden. Er setzt sich automatisch zurück sobald die Stromversorgung unterbrochen wird, und muss somit neu eingeschaltet werden wenn die Stromzufuhr wiederhergestellt ist.

Ein-/Ausschalten

1. Der Ein-/Ausschalter des Workcenters befindet sich am vorderen Ende des Workcentergestells, wie in Abb. K zu sehen ist.
2. Schließen Sie den Netzstecker des Workcenters an eine Steckdose an.
3. Schalten Sie den Workcenter mit dem Ein-/Ausschalter in die "0" Position mit Hilfe der mit-dem-Knie- bedienbaren Stoptaste.
4. Verbinden Sie das Netzkabel des Elektrogerätes mit der Elektrosteckdose des Workcenters.
5. Schalten Sie das Elektrogerät an, indem Sie den Ein-/Ausschalter in die "I" Position stellen.
- Zum Ausschalten drücken Sie die Stoptaste mit dem Knie in die "Off" Position.

Hinweis: Sollte die Stromzufuhr während der Inbetriebnahme unterbrochen werden wird das Elektrogerät nicht wieder angetrieben. Der Ein-/Ausschalter muss erneut aktiviert werden um den Betrieb aufzunehmen zu können.

Bedienungsposition und Schnittrichtung

- Die Bedienungsposition ist durch die Platzierung der Stoptaste bestimmt.
- Halten Sie sich STETS in der Nähe des Ein-/Ausschalters auf, damit die Maschine im Notfall sofort ausgeschaltet werden kann.
- Führen Sie Werkstücke so zur Kreissäge hin, wie es die Richtungspfeile auf der Tischoberfläche (29) anzeigen.

Gebrauch der Werkbankverlängerung (als Zubehör separat erhältlich)

- Der (optionale) Workcenter-Abgabetisch (TWX7OS) und die Workcenter-Werkstückstütze (TWX7SS) können bei der Stützung größerer Werkstücke behilflich sein. Durch Lösen des Abgabetischknopfes und/oder der Werkstückstützknöpfe, kann die entsprechende Stützstange ausgezogen werden und das Werkstück angemessen abgestützt werden.

Winkelmesser einstellen

Hinweis: Um die Standzeit des Winkelmessers (41) zu verlängern wird geraten ein Holzstück an den Anschlag anzubringen.

1. Mit dem Winkelmesser im T-Schlitz, lösen Sie den Werkbank-Feststellknopf (42) und den Winkeleinstellknopf (50).
2. Stellen Sie nun den Winkelmesser ein, der Winkelsucher (48) zeigt den Winkel an.
3. Ziehen Sie den Winkeleinstellknopf fest, drehen Sie den Werkbank-Feststellknopf nur so weit bis Sie einen Widerstand spüren, um das Winkelmesser im T-Schlitz zu sichern.
- Wenn ein 45° Winkel benötigt wird.
 1. Entfernen Sie den Winkelmesser und befestigen sie diesen wieder, sodass der verstellbare Frontanschlag (43) anhängt.
 2. Vergewissern Sie sich das der Winkelsucher "0°" anzeigt und schließen Sie den Winkeleinstellknopf.
 3. Nutzen Sie den 45°-Anschlag (45) um Ihr Werkstück zu sichern.

Gebrauch des Schiebestocks

WARNUNG! Das Trennen sehr kleiner Werkstücke kann sehr gefährlich sein und ein Schiebestock wird benötigt.

- Der Schiebestock (38) ist im Lieferumfang dieses Produktes enthalten. Allerdings kann es nötig sein weitere Schiebestöcke einzusetzen, um das Werkstück sicher durch die Säge führen zu können.
- Beim Trennen von Werkstücken mit sehr schmalen Durchmesser, ist es notwendig mit mehreren Schiebestöcken das Werkstück abzusichern, das sich in unmittelbarer Nähe des Sägeblattes (2) befindet.

Sägen

WARNUNG! Halten Sie NIE das Werkstück in unmittelbarer Nähe des Sägeblattes (2) fest, während dieses in Bewegung oder die Maschine angeschaltet ist. Bei einer solchen Methode kann die Kreissäge das Werkstück auswerfen und den Benutzer verletzen.

WARNUNG! Halten Sie STETS Ihre Hände vom Sägeblatt und der Schnittbahn fern.

WARNUNG! Ziehen Sie NIE ein Werkstück während des Schnittvorganges aus der Kreissäge heraus; schalten Sie das Gerät aus und warten Sie bis das Sägeblatt zum Stillstand gekommen ist, bevor Sie zum Teil angeschnittene Werkstücke entfernen.

WARNUNG! Beim Zuschneiden von Werkstücken die breiter und länger sind als die Workcenteroberfläche, ist es notwendig diese ausreichend abzustützen, hierzu können zB. der Workcenter-Abgabetisch (TWX7OS) und die Workcenter-Werkstückstützen (TWX7SS) benutzt werden, welche von Ihrem Triton-Fachhändler erhältlich sind.

WARNUNG! Vergewissern Sie sich, dass der Workcenter auf einer flachen Grundfläche steht. Prüfen Sie vor der Inbetriebnahme das ein sicherer Stand gewährleistet ist. Nutzen des Gerätes auf unsicherem Gelände ist gefährlich und kann den Benutzer verletzen.

Querschnitte ausführen

WARNUNG! Bei der Ausführung eines Querschnittes darf der Parallelanschlag (51) NICHT eingesetzt werden. Sichern Sie das Werkstück mit dem Winkelmesser (41) während des Trennvorganges um ein wegschleudern abfallender Holzteile zu vermeiden.

- Falls das Werkstück nicht innerhalb, der in den Technischen Daten angeführten Abmessungen fällt, müssen die Werkstückstützen ausgezogen werden, um das Werkstück angemessen sichern zu können.
1. Halten Sie den Parallelanschlag aus der Schnittbahn des Werkstückes. Stellen Sie den Winkelmesser (41) auf den gewünschten Winkel, und befestigen Sie diesen.
 2. Stellen Sie das Sägeblatt so ein, so dass die höchste Position ungefähr 3,2 mm über das Werkstück hinausragt.
 3. Halten Sie das Werkstück gegen den Winkelmesser mit der Hand fest, die dem Sägeblatt am nächsten ist und sichern mit der anderen Hand den Teil des Werkstücks das am weitesten vom Sägeblatt entfernt ist.
 4. Schalten Sie die Kreissäge ein und warten Sie bis das Sägeblatt seine normale Betriebsgeschwindigkeit erreicht hat.
 5. Stützen Sie das Werkstück mit beiden Händen und führen Sie es, wie in „Schritt 3“ beschrieben, langsam durch die Kreissäge.

Hinweis: Bevor Sie Holzabschnitte entfernen, schalten Sie die Maschine aus und warten Sie bis das Sägeblatt zum Stillstand gekommen ist.

Gehrungsschnitte ausführen

- Falls das Werkstück nicht innerhalb, der in den Technischen Daten angeführten Abmessungen fällt, müssen die Werkstückstützen ausgezogen werden, um das Werkstück angemessen sichern zu können.

1. Stellen Sie den Winkelmesser (41) in die gewünschte Position. Für Anleitungen zur Einstellung des Winkelmessers oder dessen Kalibrierung beziehen Sie sich bitte auf „Winkelmesser einstellen“.
2. Bitte beziehen Sie sich auf „Querschnitte ausführen“ für Anleitungen des Schnittvorgangs.

Längsschnitte ausführen

WARNUNG! Vergewissern Sie sich das der Parallelanschlag (51) bei Längsschnitten eingesetzt wird (Freihändig geführte Schnitte sind äußerst gefährlich). Prüfen Sie STETS das der Anschlag sicher in Position ist, bevor Sie mit dem Sägen beginnen.

WARNUNG! Beim Sägen von Längsschnitten, und wann immer es möglich ist, halten Sie Ihre Hände vom Sägeblatt (2) fern und nutzen Sie den Schiebestock (38) um Werkstücke von weniger als 152 mm zwischen Anschlag und Sägeblatt zu bearbeiten.

WARNUNG! Bevor Sie Holzabschnitte entfernen, schalten Sie die Maschine aus und warten Sie bis das Sägeblatt zum Stillstand gekommen ist.

- Falls das Werkstück nicht innerhalb, der in den Technischen Daten angeführten Abmessungen fällt, müssen die Werkstückstützen ausgezogen werden, um das Werkstück angemessen sichern zu können.
- Stellen Sie den Parallelanschlag ein und sichern Sie diesen, indem Sie die Parallelanschlags-Zwingen schließen.
 - Entfernen Sie den Winkelmesser (41).
 - Stellen Sie das Sägeblatt so ein, so dass die höchste Position ungefähr 3,2 mm über das Werkstück herausragt.
 - Halten Sie das Werkstück flach auf der Werkbank und gegen den Parallelanschlag und mindestens 25 mm vom Sägeblatt entfernt.
 - Schalten Sie die Kreissäge ein und warten Sie bis das Sägeblatt seine normale Betriebsgeschwindigkeit erreicht hat.
 - Während Sie das Werkstück gegen den Anschlag und flach zur Werkbank halten, schieben Sie dieses langsam durch die Kreissäge. Halten Sie einen gleichmäßigen Druck auf das Werkstück während es durch die Säge geführt wird. Benutzen Sie einen Schiebestock (38) wenn das Werkstückende weniger als 150 mm vom Sägeblatt entfernt ist.

Winkelschnitte ausführen

WARNUNG! Beim Ausführen von Winkelschnitten vergewissern Sie sich das der Parallelanschlag (51) sich auf der rechten Seite zum Sägeblatt (2) befindet. Das Sägeblatt darf NIE im Winkel zum Parallelanschlag stehen.

Hinweis: Die Vorgehensweise ist die gleiche wie die bei Längsschnitten mit der Ausnahme, dass der Winkel des Sägeblattes auf 0° gestellt sein muss.

- Falls das Werkstück nicht innerhalb, der in den Technischen Daten angeführten Abmessungen fällt, müssen die Werkstückstützen ausgezogen werden, um das Werkstück angemessen sichern zu können
- Öffnen Sie den Sperrhebel (19) und justieren sie den Winkel des Sägeblattes mit Hilfe der Winkeleinstellung (14).
- Wenn der gewünschte Winkel eingestellt ist, sichern Sie das Sägeblatt indem Sie den Sperrhebel schließen.
- Für den Schnittvorgang folgen Sie der Anleitung "Längsschnitte ausführen".

Schrägschnitte ausführen

Hinweis: Die Vorgehensweise ist die gleiche wie die bei "Querschnitte ausführen" mit Ausnahme dass die Winkeleinstellung auf 0° gestellt sein muss.

- Falls das Werkstück nicht innerhalb, der in den Technischen Daten angeführten Abmessungen fällt, müssen die Werkstückstützen ausgezogen werden, um das Werkstück angemessen sichern zu können.
- Öffnen Sie den Sperrhebel (19) und justieren sie den Winkel des Sägeblattes mit Hilfe der Winkeleinstellung (14).
 - Wenn der gewünschte Winkel eingestellt ist, sichern Sie das Sägeblatt indem Sie den Sperrhebel schließen.
 - Für den Schnittvorgang folgen Sie der Anleitung "Querschnitte ausführen".

Zubehör

- Eine Reihe von Zubehör und Verschleißteile, inklusive Stabile Transportrollen (TWX7RTK), Werkstückstütze (TWX7SS) Und Abnahmetisch (TWX7OS) sind bei Ihrem Triton-Fachhändler erhältlich. Ersatzteile sind außerdem bei Ihrem Triton-Fachhändler erhältlich oder können unter www.toolsparsonline.com bestellt werden.

Instandhaltung

⚠️ WARNUNG! Trennen Sie den Workcenter stets vom Stromnetz, bevor Sie Wartungs- bzw. Reinigungsarbeiten durchführen oder Module einsetzen und entfernen.

⚠️ WARNUNG! Tragen Sie STETS Schutzkleidung inklusive Augenschutz und geeignete Schnitzzuschutzhandschuhe wenn Sie das Gerät reinigen oder allgemeine Wartungsarbeiten vornehmen.

WARNUNG! Tragen Sie STETS geeignete Schnitzzuschutzhandschuhe wenn Sie das Sägeblatt (2) anfassen. Ein missachten kann zu Schnittverletzungen führen und den Benutzer ernsthaft verletzen.

Austauschen des Sägeblattes

WARNUNG! Die Nenn-Geschwindigkeit des Sägeblattes muss mindestens gleich der maximalen Geschwindigkeit der auf der Tischsäge gekennzeichnet sein. Zubehör welches eine größere Nenn-Geschwindigkeit als das Gerät hat, können wegbrechen und weggeschleudert werden.

- Entfernen Sie den Sägeblattschutz (3) vom Spaltkeil (6), indem Sie die Schraube losdrehen die die Schutzvorrichtung am Spaltkeil sichert.
- Lösen Sie die Sechskantschraube die sich am Zuführende der Durchtrittsplatte (25) befindet und geben Sie mit Hilfe des Zugangslöcher der Durchtrittsplatte diese frei, Abb. F.
- Mit dem geöffneten Sperrhebel (19) heben Sie die Spindel (32) in die höchste Position, indem Sie die Sägeblatthöhenkurbel (13) drehen.
- Sperrn Sie die Sägeblatthöhenkurbel mit dem Sperrhebel.
- Entfernen Sie das alte Sägeblatt (2), indem Sie den Spindelhalter (30) mit dem Multi-Tool 1 (39) sichern, während Sie gleichzeitig die Sägeblattsicherungsmutter (31) mit dem Multi-Tool 2 (40) entfernen.
- Installieren Sie die zwei Hälften des Sägeblattflansches (33) auf das neue Sägeblatt, und montieren Sie den gesamten Aufbau auf die Spindel, Abb. L.

Hinweis: Vergewissern Sie sich, das das Sägeblatt in die korrekte Richtung weist. Die Richtungskennzeichnung auf dem Sägeblatt muss mit der Kennzeichnung auf der Schutzvorrichtung übereinstimmen.

- Befestigen Sie nun das neue Sägeblatt, mit dem Multi-Tool 1, am Spindelhalter an und ziehen Sie, mit Hilfe des Multi-Tool 2, die Sägeblattsicherungsmutter an.
- Bringen Sie nun die Durchtrittsplatte und den Sägeblattschutz wieder an.

Auwechseln der Durchtrittsplatte

WARNUNG! Bei einer häufigen Nutzung der Kreissäge kann es sein das die Durchtrittsplatte verschleißt. Die Platte muss in einem guten Zustand sein und sollte bei Verschleiß ausgewechselt werden.

- Entfernen Sie den Sägeblattschutz (3) vom Spaltkeil (6), indem Sie die Schraube losdrehen die die Schutzvorrichtung am Spaltkeil sichert.
- Lösen Sie die Sechskantschraube die sich am Zuführende der Durchtrittsplatte (25) befindet und geben Sie mit Hilfe des Zugangslöcher der Durchtrittsplatte diese frei, Abb. F.
- Installieren Sie nun die neue Durchtrittsplatte und /oder die Stichplatte.
- Richten Sie die neue Durchtrittsplatte aus, beziehen Sie sich hierzu auf "Ausrichten der Durchtrittsplatte" für eine detaillierte Anleitung.
- Montieren Sie den Sägeblattschutz.

Reinigung

- Halten Sie Ihr Gerät stets sauber. Durch Schmutz und Staub verschleiben die inneren Teile schnell und die Lebensdauer des Gerätes wird verkürzt. Reinigen Sie das Gerät mit einer weichen Bürste oder einem trockenen Tuch. Die Entlüftungsöffnungen mit sauberer, trockener Druckluft reinigen, sofern verfügbar
- Säubern Sie das Gerätegehäuse mit einem feuchten, weichen Lappen und einem milden Reinigungsmittel. Verwenden Sie keinesfalls benzin- oder alkoholhaltige oder andere scharfe Reinigungsmittel.

- Dieses Gerät darf nicht mit Wasser in Berührung kommen.
- Vergewissern Sie sich das das Gerät vollkommen trocken ist bevor sie es in Betrieb nehmen.

Entfernen von Ablagerungen und Blockierungen

- Schalten Sie das Gerät aus und trennen Sie es vom Stromnetz. Entfernen Sie den Sägeblattschutz (3) vom Spaltkeil (6), indem Sie die Schraube lösen die den Sägeblattschutz sichert.
- Lösen Sie die Sechskantschraube die sich am Zuführende der Durchtrittsplatte (25) befindet und geben Sie mit Hilfe des Zugangslöcher der Durchtrittsplatte diese frei, Abb. F.
- Entfernen Sie die Staubrinnenabdeckung (12) und trennen alle an die Staubabzugsanschlüsse (9) angeschlossenen Geräte.
- Entfernen Sie Ablagerungen oder eingeklemmtes Holz.
- Montieren Sie den Sägeblattschutz, die Durchtrittsplatte, die Staubrinnenabdeckung und alle zum Staubabzug benötigten Geräte.

Schmierung

- Schmieren Sie alle beweglichen Teile in regelmäßigen Abständen und besonders nach häufigem Gebrauch oder nach einer gründlichen Reinigung, leicht mit einem geeigneten PTFE-Sprühsmiermittel ein.

WARNUNG! Schmieren Sie das Gerät nicht mit Öl- oder Silikon-basierenden Sprühmitteln ein. Schmierreste können sich hier mit Span- und Staubabfall verbinden und zu Ablagerung oder Verstopfungen führen, die sensible Teile des Motors oder den Mechanismus des Gerätes beeinflussen. Nur mit einem PTFE-Trockenschmiermittel einsprühen.

Lagerung

- Gerät an einem sicheren, trockenen Ort außerhalb der Reichweite von Kindern lagern.

Entsorgung

Beachten Sie bei der Entsorgung von defekten und nicht mehr reparablen Elektrowerkzeugen die geltenden Vorschriften und Gesetze.

- Elektrowerkzeuge und andere elektrische und elektronische Altgeräte nicht über den Hausmüll entsorgen.
- Lassen Sie sich von der zuständigen Behörde bezüglich der ordnungsgemäßen Entsorgung von Elektrowerkzeugen beraten.

Problemlösung

Störung	Mögliche Ursache	Lösung
Gerät läuft nicht wenn das Gerät Ein-/Ausgeschaltet ist.	Kein Strom	Prüfen Sie die Stromversorgung
	Defekter Ein-/Ausschalter	Lassen Sie den Ein-/Ausschalter von einem zugelassenen Triton-Servicecenter austauschen.
Schlechte Schnittqualität	Defektes Sägeblatt	Das Sägeblatt muss ausgetauscht werden, für weitere Informationen beziehen Sie sich auf "Sägeblatt auswechseln".
Profilschnitte stimmen nicht mit Mess-Einstellungen überein	Winkelmesser (41) oder Parallelanschlag (51) nicht ausreichend gesichert	Befestigen Sie alle Anschläge und vergewissern Sie sich das sie dem Druck standhalten.
	Sägeblatt (2) ist nicht kalibriert	Kalibrieren Sie das Sägeblatt mit der unter "Sägeblatt kalibrieren" beschriebenen Methode.
	Das am Winkelmesser (41) angebrachte Holzstück ist nicht länger tauglich.	Wechseln Sie das Holzstück aus.

Garantie

Zur Anmeldung Ihrer Garantie besuchen Sie bitte unsere Website www.tritontools.com* und tragen dort Ihre persönlichen Daten ein. Ihre Angaben werden (wenn nicht anders angewiesen) in unseren elektronischen Verteiler aufgenommen, damit Sie Information über zukünftige Produkteinführungen erhalten. Die von Ihnen bereitgestellten Angaben werden nicht an Dritte weitergegeben.

Kaufnachweis

Tag des Kaufes: ___/___/___

Model: TWX7CS001

Bitte verwahren Sie Ihre Quittung als Kaufnachweis.

Triton garantiert dem Käufer dieses Produkts, dass Triton, wenn sich Teile dieses Produkts innerhalb von 3 Jahren ab Originalkaufdatum infolge fehlerhafter Materialien oder Arbeitsausführung als defekt erweisen, das mangelhafte Teil nach eigenem Ermessen entweder kostenlos reparieren oder ersetzen wird.

Diese Garantie gilt nicht für kommerzielle Verwendung und erstreckt sich nicht auf normalen Verschleiß oder Schäden infolge von Unfall, Missbrauch oder unsachgemäßer Verwendung.

*Bitte registrieren Sie sich innerhalb von 30 Tagen nach dem Kauf online.

Es gelten die allgemeinen Geschäftsbedingungen.

Ihre gesetzlich festgelegten Rechte werden dadurch nicht eingeschränkt.

CE-Konformitätserklärung

Name des Unterzeichners: Mr. Darrell Morris

Bevollmächtigt durch: Triton

Erklärt hiermit, dass das Produkt:

Ident.-Nr.: TWX7CS001

Produktbeschreibung: Kreissägemodul

Den folgenden Richtlinien und Normen entspricht:


- Maschinenrichtlinie 2006/42/EG
- Elektromagnetische Verträglichkeitsrichtlinie 2014/30/EG
- RoHS-Richtlinie 2011/65/EU
- EN61029-1:2009+A11:2010
- EN61029-2:2012
- EN55014-1:2006+A1:2009+A2:2011
- EN55014-2:1997+A1:2001+A2:2008
- EN61000-3-2:2014
- EN61000-3-3:2013

Benannte Stelle: TÜV Rheinland

Techn. Unterlagen bei: Triton

Datum: 31/08/2016

Unterzeichnet von:



Mr. Darrell Morris

Geschäftsführender Direktor

Name und Anschrift des Herstellers:

Powerbox International Limited, Handelsregisternummer 06897059. Eingetragene Anschrift: Powerbox, Boundary Way, Lufton Trading Estate, Yeovil, Somerset BA22 8HZ, Großbritannien

Introduzione

Grazie per aver acquistato questo utensile Triton. Queste istruzioni contengono informazioni utili per il funzionamento sicuro ed affidabile del prodotto. Per essere sicuri di utilizzare al meglio il potenziale dell'utensile si raccomanda pertanto di leggere a fondo questo manuale. Conservare il manuale in modo che sia sempre a portata di mano e accertarsi che l'operatore dell'elettro utensile lo abbia letto e capito a pieno.

Descrizione dei simboli

La targhetta sul vostro strumento può mostrare simboli. Questi rappresentano importanti informazioni sul prodotto o istruzioni sul suo utilizzo.



Indossare la protezione dell'udito
Indossare occhiali protettivi
Indossare protezione delle vie respiratorie
Indossare il casco



Indossare la protezione delle mani



Leggere il manuale di istruzioni



Essere consapevoli di contraccolpo!



Attenzione: lame affilate e denti!



Solo per uso interno



NON utilizzare in caso di pioggia o di ambienti umidi!



Attenzione!



Fumi tossici o gas!



Non toccare! NON accedere alla guardia senza rimuovere l'alimentazione. Tenere i bambini ed altre persone via durante la gestione di un utensile elettrico. Le distrazioni possono causare la perdita del controllo. Tutti i visitatori devono essere tenuti a distanza di sicurezza dalla zona di lavoro.



Scolligare sempre dalla rete elettrica durante la regolazione, cambiare gli accessori, la pulizia, le operazioni di manutenzione e quando non è in uso!



Protezione ambientale

Gli apparecchi elettrici non devono essere smaltiti insieme ai rifiuti domestici. Riciclare dove esistono impianti. Verificare con le autorità locali o con il vostro rivenditore per un consiglio su riciclaggio.

Specifiche

Numero di modello:	TWX7CS001
Potenza:	1800W
Velocità a vuoto:	4500 / min
Carbide lama in metallo:	EN 847-1 conforme 254 x 30 x 2,6 millimetri, 40 dente
Sega appaltatore modulo dimensioni L x P x A:	679 x 422 x 449 mm
Max capacità di taglio longitudinale:	0,775 mm
Max. Profondità di taglio a 90 °:	86mm +/- 1mm
Max. Tagli angolari a 45 °:	59,5 mm +/- 1mm
Tavolo con larghezza di estensione lato:	+ 600 millimetri
Tavolo con lunghezza di estensione di uscita:	+ 670 millimetri
Max. pezzo taglia L x W:	851 x 775 millimetri (senza supporto laterale aggiuntivo e supporto uscita)
Presa anti polvere dimensioni:	64,5 / 32,6 mm
Peso:	15 kg
Informazioni sul suono e sulle vibrazioni	
Pressione sonora L_{PA} :	92.3dB (A)
Potenza sonora L_{WA} :	104.6dB (A)
Tolleranza K:	2.5dB
Il livello di intensità del suono per l'operatore può superare i 85 dB (A) e le misure di protezione del suono sono necessari.	

ATTENZIONE: Indossare sempre protezioni per le orecchie, dove il livello sonoro supera i 85 dB (A) e limitare il tempo di esposizione, se necessario. Se i livelli sonori sono scomodi, anche con la protezioni per le orecchie, smettere di usare lo strumento immediatamente e controllare la protezione acustica sia montata correttamente e fornisce il corretto livello di isolamento acustico per il livello del suono prodotto dal vostro strumento.

ATTENZIONE: l'esposizione dell'utente alle vibrazioni dello strumento può causare la perdita del senso del tatto, intorpidimento, formicolio e riduzione della capacità di presa. Esposizione a lungo termine può portare ad una condizione cronica. Se necessario, limitare la lunghezza del tempo esposti a vibrazioni e utilizzare guanti anti-vibrazione. Non utilizzare lo strumento con le mani sotto ad una temperatura normale comoda, siccome le vibrazioni avranno un effetto maggiore. Utilizzare i dati forniti nella specifica relativa alle vibrazioni per calcolare la durata e la frequenza di funzionamento dello strumento.

I livelli sonori e vibrazioni nella specifica sono determinate a secondo EN60745 o simili standard internazionali. Le figure rappresentano un normale utilizzo per lo strumento in normali condizioni di lavoro. Uno strumento a mal tenuta, montata in modo errato, o usato in modo improprio, possono produrre un aumento dei livelli di rumore e vibrazioni. www.osha.europa.eu fornisce informazioni sui livelli sonori e vibrazioni nei luoghi di lavoro che possono essere utili per gli utenti domestici che utilizzano strumenti per lunghi periodi di tempo.

Avvertenze generali di sicurezza

ATTENZIONE! Quando si utilizzano utensili elettrici, le precauzioni di sicurezza di base dovrebbero essere sempre seguite per ridurre il rischio di incendi, scosse elettriche e lesioni personali incluse le seguenti informazioni di sicurezza. Leggere tutte le istruzioni prima di utilizzare il prodotto e conservare queste istruzioni per un utilizzo futuro.

ATTENZIONE: Questo apparecchio non è destinato all'uso da parte di persone (inclusi i bambini) con capacità ridotta, fisiche o mentali o con mancanza di esperienza o di conoscenza, a meno che non siano controllati o istruiti all'uso dell'apparecchio da una persona responsabile della loro sicurezza. I bambini devono essere sorvegliati per assicurarsi che non giochino con l'apparecchio.

ATTENZIONE: Utilizzare lo strumento, accessori, attrezzi, ecc in conformità alle presenti istruzioni, tenendo conto delle condizioni di lavoro e il lavoro da svolgere. L'uso di utensili elettrici per usi diversi da quelli consentiti potrà dar luogo a situazioni di pericolo.

Il termine "elettroutensile" nelle avvertenze si riferisce ad un elettroutensile di rete fissa (con filo) o un utensile a batteria (senza filo).

- Mantenere l'area di lavoro libero** - Il disordine e panchine invitano gli infortuni
 - Considerare l'ambiente di lavoro**
 - Non esporre gli utensili alla pioggia
 - Non utilizzare gli strumenti in luoghi umidi o bagnati
 - Mantenere l'area di lavoro ben illuminata
 - Non usare utensili in presenza di liquidi o gas infiammabili
 - Protezione contro le scosse elettriche** - Evitare il contatto fisico con superfici collegate a terra (p.es. tubi, caloriferi, fornelli, frigoriferi)
 - Tenere le altre persone lontane** - Non consentire a persone, soprattutto bambini, non coinvolti nei lavori toccare l'utensile o il cavo di prolunga e tenerli lontani dall'area di lavoro
 - Riporre gli elettroutensili** - Quando non è in uso, gli strumenti devono essere conservati in un luogo chiuso a chiave asciutto, fuori dalla portata dei bambini
 - Non forzare lo strumento** - Si eseguirà il lavoro meglio e più sicuro alla velocità per la quale è stato previsto
 - Utilizzare lo strumento giusto** - Non forzare piccoli attrezzi per fare il lavoro di un attrezzo pesante
Non usare utensili per scopi non previsti, ad esempio non utilizzare seghe circolari per tagliare grossi tronchi
 - Abbigliamento adeguato**
 - Non indossare abiti larghi o gioielli , che possono rimanere impigliati nelle parti in movimento
 - Calzature di sicurezza adatte sono consigliate quando si lavora all'aperto .
 - Indossare rivestimento di protezione per contenere i capelli lunghi
 - Utilizzare dispositivi di protezione**
 - Usare occhiali di sicurezza
 - Utilizzare una mascherina antipolvere , se le operazioni di lavoro creano polvere
- ATTENZIONE:** Non utilizzare dispositivi di protezione o abbigliamento adeguato che può causare lesioni personali o aumentare la gravità di un infortunio .
- Collegare apparecchiature di aspirazione** - Se lo strumento è previsto per il collegamento di aspirazione della polvere e di raccolta delle apparecchiature , assicurarsi che siano collegati e utilizzati correttamente
 - Non abusare del cavo di alimentazione** - Non tirare mai il cavo di alimentazione per scollegarlo dalla presa. Tenere il cavo di alimentazione lontano da bordi di calore , olio e bordi taglienti . Cavi di alimentazione danneggiati o aggrovigliati aumentano il rischio di scosse elettriche
 - Lavoro sicuro** - Dove possibile utilizzare pinze o morse per bloccare il lavoro . E' più sicuro che usare la mano
 - Non sbilanciarsi** - Mantenere sempre la posizione e l'equilibrio in ogni momento
 - Mantenere gli utensili elettrici con cura**
 - Mantenere gli utensili da taglio affilati e puliti rende più facile da controllare lo strumento e meno probabilità di legarsi o bloccare il pezzo in lavorazione
 - Seguire le istruzioni per la lubrificazione e la sostituzione degli accessori
 - Controllare i cavi di alimentazione degli strumenti periodicamente e se danneggiato mandarle in riparazione presso un centro di assistenza autorizzato
 - Controllare che i cavi di prolunga periodicamente e sostituirlo se danneggiato
 - Mantenere le impugnature asciutte, pulite e prive di olio e grasso
- ATTENZIONE:** Molti incidenti sono causati da una scarsa manutenzione.
- Strumenti di disconnessioni** - Quando non è in uso, prima della manutenzione e durante il cambio accessori come lame, punte e frese, scollegare strumenti dalla rete elettrica
- ATTENZIONE:** L'uso di accessori o ricambi non raccomandati dal produttore può comportare un rischio di lesioni alle persone.
- Rimuovere le chiavi di registro e chiavi** - formare l'abitudine di controllare per vedere che le chiavi di registro vengono rimossi dallo strumento prima di accenderlo
 - Evitare avviamenti accidentali** - Controllare che l'interruttore sia in posizione " off " per il collegamento ad una presa di rete o durante l'inserimento di una batteria, o al quando ritirando o trasportando lo strumento
- ATTENZIONE:** L'avviamento non intenzionale di uno strumento è in grado di causare lesioni importanti .
- Utilizzare prolunghe esterne** - Quando lo strumento viene utilizzato all'aperto , utilizzare solo prolunghe per uso esterno e in modo marcato . L'uso di un cavo di prolunga adatto per l'uso esterno riduce il rischio di scosse elettriche
 - Fare attenzione**
 - Fate attenzione a quello che state facendo , usare il buon senso e non azionare l'utensile quando si è stanchi
 - Non utilizzare uno strumento di potere , mentre si è sotto l'effetto di droghe , alcol o medicinali
- ATTENZIONE:** Un attimo di distrazione durante l'uso può causare gravi lesioni personali.
- Controllare le parti danneggiate**
 - Prima di un ulteriore utilizzo dell'utensile , esso deve essere attentamente controllato per determinare che funzioni correttamente per svolgere la funzione prevista
 - Verificare l'allineamento di parti in movimento , legando di parti in movimento , danni ai componenti , montaggio e altre condizioni che possono compromettere il funzionamento
 - Una guardia o altre parti danneggiate devono essere adeguatamente riparate o sostituite da un centro di assistenza autorizzato se non diversamente indicato nel presente manuale di istruzioni
 - Gli interruttori difettosi devono essere sostituiti da un centro di assistenza autorizzato
- ATTENZIONE:** Non utilizzare lo strumento se l' interruttore on / off non si accende e spegne . L'interruttore deve essere riparata prima di utilizzare l' utensile .
- Far riparare da personale qualificato** - Questo utensile elettrico è conforme alle norme di sicurezza. Le riparazioni devono essere eseguite esclusivamente da personale qualificato, altrimenti questo può comportare un notevole pericolo per l'utente
- ATTENZIONE:** Per la manutenzione utilizzare solo parti di ricambio identiche.
- ATTENZIONE:** Se il cavo di alimentazione è danneggiato, deve essere sostituito dal produttore o da un centro di assistenza autorizzato.
- La presa dello strumento deve corrispondere alla presa di corrente** - Non modificare la spina in alcun modo. Non usare adattatori per spine con utensili elettrici messa a terra (messa a terra). Le spine non modificate e le prese adatte allo scopo riducono il rischio di scosse elettriche

23 - In caso di funzionamento di un utensile elettrico all'esterno utilizzare un dispositivo di corrente residua (RCD) - Utilizzo di un RCD riduce il rischio di scosse elettriche

NB: Il termine "dispositivo di corrente residua (RCD)" può essere sostituito con il termine "interruttore differenziale (salvavita)" o "interruttore differenziale (ELCB)".

ATTENZIONE: Se utilizzato in Australia o in Nuova Zelanda, si raccomanda che questo strumento viene sempre fornito con dispositivo di corrente residua (RCD) con una corrente differenziale nominale di 30 mA o meno.

ATTENZIONE: Prima di collegare uno strumento ad una fonte di alimentazione (interruttore di rete, presa, ecc), assicurarsi che la tensione è la stessa di quella indicata sulla targhetta dello strumento. Una fonte di alimentazione con tensione superiore a quella specificata per lo strumento è in grado di causare gravi lesioni per l'utente, e danni allo strumento. In caso di dubbio, non attaccare lo strumento. Utilizzando una fonte di alimentazione con tensione inferiore a quella di targa è dannoso per il motore.

Le spine polarizzate (solo Nord America) Per ridurre il rischio di scosse elettriche, l'apparecchio dispone di una spina polarizzata (una lama più larga dell'altra). Questa spina può essere inserita in una presa polarizzata in un solo modo. Se la spina non entra completamente nella presa, invertire la spina. Se ancora non si adatta, contattare un elettricista qualificato per installare la presa adeguata. Non modificare la spina in alcun modo.

Sicurezza durante l'uso del banco sega

⚠ ATTENZIONE: Indossare sempre dispositivi di protezione individuale, incluso ma non limitatevi a protezione degli occhi, cuffie antirumore, una mascherina antipolvere e guanti adatti quando si utilizza una sega. Assicurarsi che tutte le persone nelle vicinanze della zona di lavoro utilizzano una protezione adeguata. Tenere gli astanti a distanza di sicurezza.

⚠ ATTENZIONE: Collegare sempre la porta di aspirazione della polvere sulla protezione del disco di un sistema di aspirazione a vuoto adatto. Alcuni tipi di legno sono tossici o possono causare reazioni allergiche in persone e animali, soprattutto se esposti a polveri molto fini. Indossare sempre una protezione per le vie respiratorie, oltre a sistemi di estrazione delle polveri.

AVVISO: La velocità nominale della lama deve essere almeno pari alla velocità massima contrassegnata sull'utensile. Accessori in esecuzione più veloce della loro velocità nominale potrebbero rompersi e spaccarsi.

- Montare solo seghe circolari che sono elencati come compatibili nella 'Specifiche' al banco sega.** Utilizzare solo lame compatibili, assicurando che il cuneo non è più spesso del kerf della lama, e non più sottile della lama.
- Garantire che la vostra area di lavoro è sicura e sufficientemente illuminata, senza ostacoli, rischi di viaggio o altri potenziali pericoli.**
- Non tentare di tagliare metalli o prodotti contenenti muro a secco in muratura con questa sega.** È stato progettato esclusivamente per l'utilizzo con prodotti di legno e oggetti come legno.
- NON tentare di utilizzare una testa di formatura con questa sega.** Le seghe circolari compatibili e l'impostazione del banco non sono adatti per questo tipo di taglio.
- SEMPRE assicurarsi che l'area di lavoro sia ben ventilata.** Rimuovere segatura spesso e pulire segatura dalla sega, per evitare un potenziale pericolo di incendio.
- NON tentare di rimuovere frammenti o polvere di legno dalla lama con le tue mani, mentre la lama è in rotazione.** Spegnerne SEMPRE la sega, scollegare l'apparecchio dalla rete di alimentazione, e attendere che la lama è arrivata a un punto morto. Utilizzare sempre guanti a prova di taglio quando si tocca la lama, per evitare infortuni.
- Non lasciare mai la sega in esecuzione incostudita.** Dopo lo spegnimento, non lasciare il banco sega, fino a quando la lama non si sia arrestata completamente.
- Leggere attentamente le istruzioni elencate nella ' Prevenzione contraccolpo',** e seguire queste raccomandazioni quando si utilizza una sega.
- Inserire SEMPRE il pezzo nella lama contro il senso di rotazione.** La direzione di alimentazione è indicata dalla freccia stampata sulla superficie del tavolo.
- Usare sempre la guida parallela quando si effettuano tagli longitudinali.** Assicurarsi che la guida è parallela alla lama, non deve essere orientata verso la lama, e bloccare saldamente la recinzione ad entrambe le estremità.
- SEMPRE fissare il pezzo saldamente contro la guida parallela o calibro.** MAI usare la guida nel corso della stessa operazione il calibro mitra.
- NON rimuovere la protezione lama o coltello divisore.** Coltelli divisori sono conosciuti anche sotto il termine crocette.
- Usare sempre un bastone spinta quando tagliando pezzi stretti, così la tua mano non si avvicina alla lama.** Il spintore deve SEMPRE essere più stretto del pezzo, per evitare che il bastone spinta venga a contatto con la lama. Utilizzare featherboard e dei blocchi per i tagli non completi. Conservare il spintore con la sega, quando non in uso.
- È vietata qualsiasi operazione a mano libera, sostenendo il pezzo con le mani.** Utilizzare SEMPRE sia la guida parallela o guida a mitra per posizionare e guidare il lavoro.
- Non sporgersi mai dietro, sopra o all'interno di 75 mm (3 ") della lama, con entrambe le mani, per qualsiasi motivo.**
- Spostare sempre la guida quando si effettuano tagli trasversali.** MAI usare la guida come un indicatore di taglio quando eseguendo tagli a croce
- Non tentare di liberare una lama in arresto, con la sega accesa.** Spegnerne SEMPRE e scollegare la macchina dalla rete elettrica.
- Sostenere SEMPRE pezzi di grandi dimensioni sui lati di alimentazione del banco sega, e, ove necessario.** Utilizzare supporti a rullo o cavalli di appoggio, dove possibile.
- MAI lasciar andare il pezzo prima che sia stato spinto completamente oltre la lama, usando un bastoncino di spinta, se necessario.**
- EVITARE pezzi di forma irregolare che non dispongono di un bordo diritto per guidare lungo la guida parallela.**
- Non tagliare attorno con seghe da banco.** NON usare seghe da banco per tagliare tronchi o legna da ardere.
- Evitare sempre operazioni scomode e posizioni delle mani,** dove un improvviso slittamento potrebbe causare la mano o altre parti del corpo di entrare in contatto con la lama.
- CONTROLLARE la piastra prima dell'uso.** Sostituire le piastre gola danneggiate o usurate.
- Usare soltanto accessori elencati in questo manuale, per essere compatibile con il banco sega.** L'uso di accessori incompatibili può intrinsecamente essere pericoloso e causare lesioni gravi o danni materiali. Seguire sempre tutte le norme di sicurezza e le procedure di utilizzo sicure, fornite con l'accessorio.
- Spegnerne sempre il banco prima di scollegarlo dalla rete elettrica.** Questo evita l'avviamento accidentale sulla riconnessione all'alimentatore.

Prevenzione contraccolpo

NB: Il contraccolpo si verifica quando la lama si arresta rapidamente, a seguito di schiacciamento, impigliamento o mancanza di allineamento, e il pezzo viene spinto indietro verso l'operatore. Può anche tirare la mano dell'operatore nella lama, provocando lesioni gravi.

ATTENZIONE: Il contraccolpo è il risultato di una sega usata in modo scorretto e / o procedure o condizioni operative errate, tuttavia, se vengono prese precauzioni, le forze di contraccolpo possono essere controllate dall'operatore, o evitate del tutto:

- Utilizzare SEMPRE la sega con il coltello divisore (noto anche come 'spreader') installato.** MAI rimuovere il coltello divisore, per evitare che la fessura di taglio si chiuda sulla lama.
- NON tentare di tagliare con una lama opaca o deformata.** SEMPRE garantire che la lama è adatta al materiale da tagliare.
- Assicurare SEMPRE che la guida parallela è parallela alla lama.** Se la guida si inclina verso l'interno verso la lama, il pezzo può entrare in contatto con il bordo posteriore della lama, e può essere gettata indietro verso l'utente incontrollabile come un risultato.
- Non usare MAI la guida parallela ed il calibro mitra contemporaneamente.** Questo può portare a gravi contraccolpi e lesioni gravi.
- Prestare attenzione quando tagliando fogli di grandi dimensioni.** Assicurarsi che pezzi più grandi sono adeguatamente supportato da adeguati supporti
- NON tagliare pezzi rotondi o pezzi che non possono stare piatti sul tavolo.** Evitare di tagliare il legno contorto, distorto o nodoso.
- Non tagliare il legno bagnato, in quanto produce più alto attrito contro la lama della sega.** Segatura bagnata può accumularsi sulla lama, aumentando ulteriormente la probabilità di contraccolpi.
- mantenere sempre una presa salda sul pezzo, con entrambe le mani, e posizionare le braccia per resistere alle forze del contraccolpo.**
- Resta fuori del percorso della lama e posizionare il corpo su entrambi i lati della lama, ma non in linea con la lama.**
- PREVENIRE che pezzi cadino sulla lama.** NON tentare di eseguire tagli ad immersione con la vostra sega.
- Usare sempre bastoni spinta o blocco spinta, se del caso, per guidare il pezzo attraverso la lama.** Utilizzare Featherboards per tenere premuto il pezzo in lavorazione, ove possibile

Familiarizzazione del prodotto

1. Presa di rete
2. Lama
3. Guardia lama
4. Presa anti polvere guardia lama
5. Vite di fissaggio guardia
6. Coltello divisore
7. Vite di serraggio coltello divisor
8. Coperchio spazzole
9. Presa estrazione polvere
10. Bobina di livellamento modulo
11. Rullo del modulo
12. Pannello del canale polvere
13. Avvolgitore di altezza lama
14. Regolatore angolazione conico
15. 45° Vite da taglio
16. 0° Vite da taglio
17. Calibro d'angolazione
18. Vite di calibrazione angolo
19. Leva di bloccaggio
20. Fori per pollici
21. Fori per mani
22. Foro di accesso piastra kerf
23. Vite della bobina di livellamento
24. Vite di livellamento piastra
25. Piastra Kerf
26. Piastra sacrificale
27. Rota di allineamento laterale
28. Vite di livellamento modulo
29. Superficie del modulo a banco
30. Porta pergolato
31. Dado di arresto lama
32. Pergolato
33. Flangia della lama
34. Manopola di arresto
35. Vite di regolazione coltello divisore
36. Linguetta di montaggio
37. Vite di fissaggio
38. Bastone di spinta
39. Multi-utensile 1
40. Multi-utensile 2
41. Goniometro
42. Manopola di arresto banco
43. Guida regolabile anteriore
44. Cuscinetto di sostegno
45. 45° Guida angolare
46. Foro dell'angolo
47. Scala graduatoria
48. Mirino angolo
49. Rotaia del banco
50. Manopola di regolazione angolo
51. Guida parallela
52. Braccio della guida parallela

Destinazione d'uso

Un banco sega efficace in grado di mitra, smussatura e taglio trasversale. Include goniometro e guida parallela. Adatto per il taglio di materiali come legno. Per l'utilizzo con il Workcentre TWX7 Triton e accessori.

Disimballaggio

- Disimballare con cura e controllare il vostro strumento. Acquisire familiarità con tutte le sue caratteristiche e funzioni
- Assicurarsi che tutte le parti dello strumento sono presenti e in buone condizioni. In caso di parti mancanti o danneggiate, sostituire tali parti prima di tentare di utilizzare questo strumento

IMPORTANTE: leggere le istruzioni in combinazione con le istruzioni fornite con il Triton WorkCentre.

Per il video di istruzioni, andare su www.tritontools.com

Prima dell'uso

ATTENZIONE: Assicurarsi che il banco sega sia spento e scollegato dalla rete elettrica prima di collegare o cambiare gli accessori, l'inserimento o la rimozione di moduli, o prima di fare qualsiasi regolazione.

ATTENZIONE: Indossare sempre guanti anti-taglio quando si maneggia la lama. In caso contrario, può provocare tagli o danni all'operatore.

Installazione vite di livellamento modulo

- Posizionare il modulo sega su una superficie piana sicura, e installare le viti a bobina di livellamento modulo (23), Viti di livellamento modulo (28) e dei rulli (11), come illustrato in Fig. A

Installazione e rimozione del modulo

ATTENZIONE: Quando si trasporta il modulo sega, utilizzare fori per la mano (21).

NB: Per inserire / rimuovere il modulo, la lama (2) deve essere in posizione di 45°. Vedere 'Regolazione lama' per le istruzioni dettagliate per quanto riguarda la modifica dell'angolo di lama.

Installazione del modulo:

ATTENZIONE: Prima di installare o rimuovere il modulo abbassare la lama (2) ad una posizione di quota di sicurezza.

ATTENZIONE: Alcuni moduli sono pesanti, in particolare con gli strumenti di potenza installati. Prendere SEMPRE il modulo dalle scanalature a mano (21), garantendo posizione stabile e il posizionamento verticale. Evitare movimenti goffi durante lo smontaggio e il montaggio dei moduli.

IMPORTANTE: Abbassare sempre i moduli inferiori accuratamente utilizzando entrambe i fori per i pollici in dotazione (20). Un incontrollata abbassamento possono causare danni allo strumento di potere e al modulo, nonché possibili lesioni all'operatore.

ATTENZIONE: Non mettere le dita e / o parti del corpo tra il modulo e il telaio del WorkCentre. Vedere Fig. B

- Far scorrere i rulli (11) nelle guide di montaggio e con attenzione abbassare il modulo in posizione, vedi fig. B
- Alternare entrambi i blocchi di arresto modulo in posizione, Fig. C

NB: Assicurarsi che le viti di livellamento bobina (23), si trovano correttamente nei locatori bobina. Le viti del modulo di livellamento (28) devono essere adeguate per eliminare il gioco tra il modulo e il telaio del Workcentre.

Rimozione Modulo:

- Muovere il modulo finché non scatta in posizione 'sbloccato'. Sollevare il modulo dal telaio utilizzando i fori per le dita, e far scorrere i rulli del modulo (11) fuori dalle guide di montaggio, vedi Fig. B

Livellamento moduli da banco

- Livellare il modulo regolando le viti di livellamento bobina (23), e le viti di livellamento modulo (28) nell'ordine illustrato in Fig. D
- Controllare il modulo è a livello con la superficie della banco con un regolo, come illustrato nel diagramma di Fig. E. Se il modulo è ancora irregolare, ripetere il processo di cui sopra

Montaggio del modulo sega

- Vedere le Figure A - L in combinazione con le informazioni qui sotto per assemblare il modulo.

Installazione coltello divisore

ATTENZIONE: Assicurarsi che il coltello divisore (6) sia correttamente bloccato in posizione prima dell'uso.

1. Con la lama (2) in posizione 0°, alzare la lama alla sua altezza massima con l'avvolgitore di altezza lama (13)
2. Allentare la vite esagonale che si trova alla fine della piastra kerf (25), e utilizzare il foro di accesso piastra (22) per rilasciare la piastra, Fig. F
3. Inserire il coltello divisore (6) nella staffa di fissaggio, e fissare il manopola di fissaggio (34) Fig. G

Livellamento della piastra kerf

ATTENZIONE: Assicurarsi che la piastra Kerf (25) è installata e correttamente livellato prima dell'uso.

1. Livellare la piastra Kerf regolando le viti di livellamento della piastra kerf (24)
2. Controllare la piastra Kerf è a livello contro la superficie del banco usando un regolo. Se la piastra Kerf è ancora irregolare, ripetere il processo di cui sopra

Regolazione della lama

- Per regolare l'angolo smussatura della lama (2):

1. Sbloccare la leva di bloccaggio (19)
 2. Ruotare il regolatore dell'angolazione (14) per modificare l'angolo della lama
 3. Utilizzare l'indicatore conico (17) per visualizzare l'angolo della lama
- Regolare l'altezza della lama girando l'avvolgitore di altezza lama (13):
 - in senso orario per alzare la lama
 - in senso antiorario per abbassare la lama

Calibrazione lama

NB: Fare riferimento alla Fig. H, durante la taratura della lama (2).

1. Sollevare la lama alla sua altezza massima con l'avvolgitore di altezza lama (13)
2. Utilizzando il regolatore dell'angolo smussato (14) regolare la lama della sega in modo che sia perpendicolare alla superficie del banco
3. Inserire un a squadra (non in dotazione) sul piano di superficie e contro la lama
4. Allentare la vite di taglio 0° (16)
5. Regolare l'angolo della lama in modo che sia parallela alla squadra
6. Allentare le viti di calibrazione (18) e allineare la rotella rossa con '0' sul goniometro conico (17)
7. Bloccare la lama in posizione utilizzando la leva di bloccaggio (19)
8. Serrare le vite da taglio 0°
9. Allentare le viti di 45° (15)
10. Spostare la lama nella posizione a 45°
11. Serrare le viti 45° e controllare che 45° viene visualizzato sul goniometro conico. Se 45° non è visualizzato sul goniometro dopo aver serrato le viti da taglio 45°, ripetere i passi '9-11'

Allineamento coltello divisore

- Con la lama (2) in posizione 0 °, alzare la lama alla sua altezza massima con l'avvolgitore altezza della lama (13)
- Allentare la vite esagonale che si trova alla fine della piastra kerf (25), e utilizzare il foro di accesso della piastra (22) per rilasciare la piastra, Fig. F
- Allentare le vite di regolazione del coltello divisore (35) e le viti di bloccaggio del coltello divisore (7)
- Inserire due bordi dritti, per esempio un righello, contro i lati della lama per sega e il coltello divisore
- Rimuovere i bordi dritti e stringere le viti di regolazione del coltello divisore, seguito dalle viti di bloccaggio del coltello divisore
- Controllare il coltello divisore è allineato con la lama. Se il coltello divisore non è allineato, ripetere i passaggi '3-5' fino allineati
- Sostituire la piastra Kerf, il coltello divisore è ora allineato

Guida parallela

- Aprire le braccia della guida parallela (52) e far scorrere nelle guide della guida del telaio Workcentre, Fig. I
- La braccia della guida parallela visualizzano una scala graduata. Se utilizzato in combinazione con l'indicatore di posizione della guida parallela, misure di larghezza accurate possono essere determinati

Calibro goniometro

- Allentare il pomello di blocco banco (42) e far scorrere le guide del banco (49) nei fori del telaio Workcentre, Fig. J
- Serrare il pomello di blocco banco per fissare il goniometro (41)
- Regolazione dell'angolo può essere raggiunto sbloccando la manopola di regolazione angolo (50) e girando il goniometro all'angolo desiderato
- L'angolo viene visualizzato attraverso l'angolo mirino (48)
- Regolare la guida anteriore regolabile (43) svitando le due viti esagonali, per ospitare pezzi di dimensioni diverse
- Girare il goniometro intorno e impostare l'angolo a 0 °, per usare la guida ad angolo 45 ° (45) per un preciso taglio a 45 °

Estrazione polvere

ATTENZIONE: Utilizzare sempre un sistema di aspirazione o aspirapolvere adatto.

ATTENZIONE: Alcune polveri di legno naturale, rivestimenti superficiali e materiali compositi contengono sostanze tossiche. Smaltire SEMPRE le polveri nocive secondo le leggi e regolamenti.

- Mentre aspirando della polvere può essere realizzato con qualsiasi aspirapolvere, un unità domestica (a sacchetto) possono riempirsi molto rapidamente. Per una capacità molto più grande, prendere in considerazione il montaggio di un collettore di polveri Triton (DCA300) per il vostro sistema di aspirazione
- Il carico elettrico combinato della sega e aspirapolvere può superare l'ampereaggio nominale della prolunga nazionale o presa di corrente. Collegare sempre l'aspirapolvere e sega con prese elettriche separate e accendere entrambi gli apparecchi separatamente

Collegamenti elettrici

NB: La WorkCentre dispone di un sezionatore di rete con presa per consentire una facile connettività di utensili elettrici, Fig. K

Collegare il Workcentre con la corrente tramite la spina

- Utilizzare la presa per la connessione di utensili elettrici per l'alimentazione

- Gli utensili elettrici devono essere collegati ad un quadro elettrico WorkCentre
- Se del caso prolunghie, possono essere utilizzate appropriati per estendere il proprio cavo di alimentazione del WorkCentre

ATTENZIONE: Utilizzare solo prolunghie che sono in buone condizioni, con una sezione sufficiente per portare la corrente allo strumento. Estensioni sottodimensionate possono causare tensione in linea a goccia, con conseguente perdita di potenza, surriscaldamento e bruciatura del motore dell'elettrotensile.

Funzionamento

⚠ ATTENZIONE: Indossare sempre protezioni per gli occhi, le vie respiratorie e un'adeguata protezione dell'udito, e guanti adatti, quando si lavora con questo strumento.

IMPORTANTE: Il modulo a sega è contrassegnato con la direzione di alimentazione - questo indica la direzione corretta e sicura per il pezzo quando si effettua il taglio.

AVVERTENZA: Non sovra-bilanciare il WorkCentre utilizzando pezzi di grandi dimensioni.

ATTENZIONE: Assicurarsi che la piastra Kerf (25) è installata e correttamente livellata prima dell'uso.

NB: Fare riferimento alle istruzioni originali TWX7 Workcentre per tutte le informazioni e gli schemi che si riferiscono a parti del WorkCentre.

Operazione switchbox workcentre

IMPORTANTE: La cassetta interruttori richiede una connessione di rete diretta per accendersi 'on'. Si ripristina e spegne 'off' non appena alimentazione è scollegata, e richiederà il ripristino su 'on' quando viene ripristinata per continuare l'operazione.

Accensione e spegnimento

- L'interruttore ON / OFF del WorkCentre si trova nella parte anteriore del telaio Workcentre, Fig. K
 - Collegare la spina di rete del Workcentre ad una presa a muro e passare alla posizione 'On'
 - Accendere la Workcentre ON / OFF nella posizione '0', premendo sul pulsante Stop 'Ginocchio-Off'
 - Collegare la spina dello strumento di alimentazione alla presa di connessione
 - Accendere l'apparecchio premendo il tasto ON / OFF in posizione ' I '
- Premere sul pulsante Stop a Ginocchio-Off per spegnere

NB: Se l'alimentazione viene interrotta durante l'uso, la macchina non si riavvierà. L'interruttore ON / OFF dovrà essere di nuovo attivato per riprendere il funzionamento.

Posizione dell'utente e direzione di alimentazione

- La posizione dell'utente principale è definita dalla posizione del pulsante di arresto a ginocchio
- Rimangono sempre posizionati in prossimità l'interruttore ON / OFF, in modo che la macchina può essere immediatamente disattivata in caso di emergenza
- Inserire i pezzi in lavorazione nella direzione indicata dalle frecce sulla superficie del modulo sega (31)

Utilizzando le estensioni da banco (disponibile come accessorio)

- Il (opzionale) Workcentre supporto di appoggio (TWX70S) e WorkCentre supporto laterale (TWX7SS) può essere regolato per fornire un supporto robusto per pezzi grandi. Regolazione può essere eseguita allentando le manopole di supporto di uscita, e / o le manopole di supporto laterale, ed estendendo la corrispondente barra di supporto alle dimensioni del pezzo

Regolazione del goniometro

NB: Al fine di aumentare la durata del goniometro (41) è consigliabile un pezzo sacrificale di legno che deve essere fissato alla guida.

- Con l'indicatore goniometro che si trova nel foro a T, allentare il pomello di blocco banco (42) e la manopola di regolazione angolo (50)
 - Regolare l'angolo del goniometro, l'angolo viene visualizzato attraverso l'angolo mirino (48)
 - Bloccare la manopola di regolazione angolo in modo sicuro, mentre stringendo il pomello di blocco banco fino a quando si avverte una resistenza, per fissare il goniometro nel foro a T
- In alternativa, se è richiesto un angolo di 45 °:
 - Rimuovere l'indicatore goniometro e reinstallare quindi la guida regolabile anteriore (43) d'uscita
 - Assicurarsi che '0 °' viene visualizzato attraverso il mirino e bloccare la manopola di regolazione angolo
 - Utilizzare la guida d'angolazione di 45 ° (45) per fissare il pezzo

Uso del bastone a spinta

ATTENZIONE: Eseguendo tagli su piccoli pezzi possono essere pericolosi e richiedono l'uso di bastoni a spinta

- Un bastone a spinta (38) è incluso con il prodotto. Tuttavia può essere necessario utilizzare più di un bastone per tagliare in modo sicuro il pezzo
- Quando eseguendo tagli di un diametro piccolo sarà necessario utilizzare più bastoni a spinta per assicurare che il pezzo si trova in prossimità della lama (2)

Le operazioni di taglio

ATTENZIONE: Non toccare mai la parte del pezzo che si trova vicino alla lama (2), mentre la lama è in movimento o mentre l'unità è accesa. Ciò potrebbe causare il pezzo di venire espulso dalla macchina e potrebbe causare danni all'operatore.

AVVERTENZA: Tenere le mani lontano dalla lama e il percorso di taglio in ogni momento.

ATTENZIONE: Non tentare mai di tirare il pezzo durante il processo di taglio; spegnere la macchina e attendere che la lama della sega si fermi prima di rimuovere il campione parzialmente tagliato

ATTENZIONE: Quando si taglia pezzi di grandi dimensioni che sono più grandi rispetto alla larghezza e / o lunghezza della superficie del Workcentre, è necessario sostenere adeguatamente il pezzo con la (opzionale) Supporto Workcentre di asporto (TWX70S) e / o WorkCentre supporto laterale (TWX7SS) che sono disponibili presso i rivenditori Triton.

ATTENZIONE: Assicurarsi che il WorkCentre è impostato su una superficie stabile, piana e sicura. Prima di utilizzare il WorkCentre SEMPRE verificare la presenza di una base stabile. Utilizzando il WorkCentre sul ruvido, terreno non protetta è pericoloso e potrebbe provocare gravi danni all'operatore.

Esecuzione di un taglio trasversale

AVVERTENZA: Per evitare la parte di taglio del pezzo, evitare di limitare il pezzo con la guida parallela (51). Utilizzare l'indicatore goniometro (41) per sostenere il pezzo durante la procedura di taglio.

- Se il pezzo non rientra nelle dimensioni massime del pezzo specificate all'interno della 'Specifiche', adeguare le strutture di supporto per accogliere il pezzo durante la procedura di taglio

- Posizionare la guida lontano dal percorso del pezzo. Regolare l'indicatore goniometro (41) all'angolazione desiderata, e bloccare in posizione
- Posizionare la lama in modo che il punto più alto è di circa 3,2 mm superiore alla parte superiore del pezzo
- Tenere il pezzo saldamente contro il goniometro con la mano più vicina alla lama, e posizionare l'altra mano sulla parte più lontana del pezzo dalla lama di sostegno
- Accendere la sega 'on' e consentire la lama di raggiungere la velocità di funzionamento
- Mentre utilizzando entrambe le mani per sostenere il pezzo in lavorazione, come descritto in 'Fase 3', lentamente alimentare il pezzo nella lama

NB: Prima di rimuovere la parte di taglio del pezzo, ruotare la sega 'off' e attendere che la lama si fermi.

Esecuzione di un taglio obliquo

- Se il pezzo non rientra nelle dimensioni massime del pezzo specificate all'interno della 'Specifiche', adeguare le strutture di supporto per accogliere il pezzo durante la procedura di taglio

- Regolare l'indicatore goniometro (41) all'angolo desiderato. Per istruzioni sulla regolazione del calibro goniometro e calibrazione, vedere 'Regolazione del calibro goniometro'
- Verificare 'esecuzione di un taglio trasversale' per istruzioni della procedura del taglio

Esecuzione di un taglio longitudinale

ATTENZIONE: Assicurarsi che la guida (51) viene utilizzata durante l'esecuzione di tagli longitudinali (l'esecuzione di tagli a mano libera è pericoloso). SEMPRE controllare che la guida sia bloccata in posizione prima di effettuare tagli.

ATTENZIONE: Quando si eseguono tagli longitudinali e, quando possibile, tenere le mani lontane della lama (2) e utilizzare il bastone a spinta (38) per alimentare il pezzo se è inferiore a 152 mm tra la guida e la lama.

ATTENZIONE: Non tentare mai di tirare il pezzo durante il processo di taglio. Spegnere la macchina e attendere che la lama della sega si fermi prima di rimuovere il campione parzialmente tagliato.

- Se il pezzo non rientra nelle dimensioni massime del pezzo specificato all'interno della 'Specifiche', adeguare le strutture di supporto per accogliere il pezzo durante la procedura di taglio

- Regolare e bloccare la guida parallela chiudendo le pinze a tenuta guida parallela
- Rimuovere l'indicatore goniometro (41)
- Posizionare la lama in modo che il punto più alto è di circa 3,2 mm oltre la parte superiore del pezzo
- Tenere il piano pezzo sul banco e contro la guida. Tenere il pezzo di almeno 25 mm di distanza dalla lama
- Accendere la sega 'on' e consentire la lama di raggiungere la velocità di funzionamento
- Mentre tenendo il pezzo contro la guida e piatto al banco, lentamente alimentare il pezzo attraverso la lama. Mantenere una forza ancora spingendo finché l'intero pezzo è passato attraverso la lama. Utilizzare il bastone a spinta (38) per continuare ad alimentare il pezzo attraverso la lama quando il bordo di uscita è minore di 150 mm di distanza

Esecuzione di un taglio obliquo strappo

AVVERTENZA: Quando si esegue un taglio obliquo, assicurare sempre che la guida (51) si trova sul lato destro della lama (2). La lama non deve mai essere inclinata verso la guida parallela.

NB: Questa operazione segue la stessa procedura 'esecuzione di un taglio' al meno che l'angolo della lama è impostato su un valore diverso da '0 °'.

- Se il pezzo non rientra nelle dimensioni massime del pezzo specificato all'interno delle 'Specifiche', adeguare le strutture di supporto per accogliere il pezzo durante la procedura di taglio

- Sbloccare la leva di bloccaggio (19) e regolare l'angolo della lama (1) con il regolatore d'angolo (14)
- Quando viene impostato l'angolo desiderato, bloccare la lama in posizione utilizzando la leva di bloccaggio
- Seguire la procedura di taglio come indicato in 'Esecuzione di un taglio longitudinale'

Esecuzione di un taglio a croce smusso

NB: Questa operazione segue la stessa procedura 'esecuzione di un taglio a croce' al meno che l'angolo della lama è impostato su un valore diverso da '0 °'.

- Se il pezzo non rientra nelle dimensioni massime del pezzo specificato all'interno delle 'Specifiche', adeguare le strutture di supporto per accogliere il pezzo durante la procedura di taglio

- Sbloccare la leva di bloccaggio (19) e regolare l'angolo della lama (1) con il regolatore d'angolo (14)
- Quando viene impostato l'angolo desiderato, bloccare la lama in posizione utilizzando la leva di bloccaggio
- Seguire la procedura di taglio come indicato in 'Esecuzione di un taglio longitudinale'

Accessori

- Una gamma di accessori, tra cui robusto kit di transito (TWX7RTK), supporto laterale (TWX7SS) e Supporto di uscita (TWX7OS) è disponibile presso il vostro rivenditore Triton. Pezzi di ricambio possono essere acquistati presso il vostro rivenditore Triton oppure online su www.toolsparonline.com

Manutenzione

⚠ ATTENZIONE: scollegare SEMPRE il WorkCentre dalla rete di alimentazione prima di pulire, di cambiare gli accessori, effettuare le regolazioni o interventi di manutenzione.

⚠ ATTENZIONE: Indossare sempre dispositivi di protezione, compresa la protezione degli occhi e dei guanti anti-taglio per la pulizia e la manutenzione.

ATTENZIONE: Indossare sempre guanti anti-taglio quando si maneggia il banco sega. In caso contrario, potrebbe causare tagli o danni all'operatore.

Sostituzione della lama

AVVISO: La velocità nominale della lama deve essere almeno pari alla velocità massima contrassegnata sull'utensile. Accessori in esecuzione più veloce della loro velocità nominale possono rompersi e volare a parte.

1. Staccare la guardia lama (3) dal coltello divisore (6) togliendo la vite di fissaggio della guardia al coltello divisore
2. Allentare la vite esagonale si trova alla fine di alimentazione della Piastra Kerf (25) e utilizzare i fori di accesso piastra per rilasciare il piatto, Fig. F
3. Con la leva di bloccaggio (19) sbloccato, sollevare il pergolato (32) alla sua massima altezza ruotando l'avvolgitore di altezza lama (13) in senso orario
4. Bloccare l'avvolgitore in posizione utilizzando la leva di bloccaggio
5. Rimuovere la vecchia lama (2) assicurando il porta pergolato (30) con Multi utensile 1 (39), mentre rimuovere contemporaneamente anche il dado di fissaggio lama (31) con il Multi-utensile 2 (40)
6. Installare le due metà della flangia lama (33) alla nuova lama, poi installare il gruppo lame sul pergolato, Fig. L

NB: Assicurarsi che la lama è installata con l'orientamento corretto. La freccia di direzione della lama trovato sulla lama della sega deve corrispondere al senso della freccia sulla protezione del disco.

7. Fissare la nuova lama in posizione fissando il porta pergolato con il Multi-utensile 1, mentre stringendo la vite di fissaggio con Multi-utensile 2
8. Reinstallare la piastra Kerf e la protezione della lama

Sostituzione della piastra Kerf

ATTENZIONE: Quando la sega è soggetta a uso costante, la piastra di taglio può peggiorare. La piastra kerf deve rimanere in buone condizioni in ogni momento. Sostituire se necessario.

1. Staccare la guardia lama (3) dal coltello divisore (6) togliendo la vite che fissa la guardia al coltello divisore
2. Allentare la vite esagonale si trova alla fine di alimentazione della Piastra Kerf (25), e utilizzare i fori di accesso piastra Kerf (22) per rilasciare la piastra, Fig. F
3. Installare la nuova piastra Kerf e / o piastra sacrificale
4. Livellare la piastra Kerf, vedere 'Livellamento della piastra Kerf' per le istruzioni dettagliate
5. Reinstallare la protezione della lama

Pulizia

- Tenere la macchina pulita in ogni momento. Sporczia e polvere possono causare l'usura delle parti interne e accorciano la durata della macchina. Pulire il corpo della macchina con una spazzola morbida o un panno asciutto. Se disponibile, utilizzare aria compressa pulita e asciutta e soffiare attraverso i fori di ventilazione
- Non utilizzare sostanze caustiche per pulire le parti in plastica. Se lavaggio a secco non è sufficiente, si raccomanda un detergente delicato su un panno umido
- L'acqua non deve mai entrare in contatto con l'utensile
- Assicurarsi che lo strumento sia completamente asciutto prima dell'uso

Eliminazione blocchi detriti

1. Spegnerlo strumento 'off' e scollegarlo dalla rete elettrica. Staccare la guardia (3) dal coltello divisore (6) togliendo la vite di fissaggio della guardia al coltello divisore
2. Allentare la vite esagonale si trova alla fine di alimentazione della Piastra Kerf (25), e utilizzare i fori di accesso piastra per rilasciare il piatto, Fig. F
3. Rimuovere il canale anti-polvere (12) e tutte le connessioni collegati alla porto di aspirazione (9)
4. Individuare e rimuovere il blocco di detriti
5. Reinstallare la guardia, piastra Kerf, canale anti-polvere e tutte le connessioni dell'aspirapolvere una volta che il blocco è stata tolto

Lubrificazione

- Lubrificare tutte le parti mobili con spray PTFE, a intervalli regolari, soprattutto dopo un uso pesante o la pulizia

ATTENZIONE: NON lubrificare con spray di manutenzione a base di silicone o olio. Residuo lubrificante combinerà con il legno e la polvere, portando ad accumulo di sporczia, che può interferire con le parti e meccanismi in movimento. Usare solo un lubrificante secco, utilizzando spray PTFE.

Conservazione

- Conservare questo strumento e dei relativi accessori dopo l'uso nel suo caso, in un luogo asciutto e sicuro fuori dalla portata dei bambini

Smaltimento

Rispettare sempre le normative nazionali per lo smaltimento di strumenti di potere che non sono più funzionali e non sono vitali per la riparazione.

- Non gettare utensili elettrici o apparecchiature elettriche ed elettroniche di altri rifiuti (RAEE), con i rifiuti domestici
- Contattare l'autorità locale di smaltimento rifiuti per informazioni sul modo corretto di smaltire elettrodomestici

Risoluzione dei problemi

Problema	Possibile causa	Soluzione
Nessuna funzione se ON / OFF si aziona	Nessuna alimentazione	Controllare l'alimentazione
	Interruttore On / Off difettoso	Sostituire l'interruttore On / Off presso un centro di assistenza autorizzato Triton
Scarsa qualità di taglio	Lama difettosa	La lama deve essere sostituita, vedere 'Sostituzione della lama' per le istruzioni su come sostituire la lama
Profili di taglio sono in contrasto con le misure	Sostegno goniometro (41) o guida parallela (51) scarsamente fissate	Fissare nuovamente le guide e assicurare che ci sia alcun movimento quando viene applicata la pressione
	Lama (2) non calibrata	Calibrare la lama con il metodo descritto in 'Calibrazione Lama'
	Legno sacrificale su goniometro (41) non fornisce più supporto sufficiente	Sostituire il pezzo di legno sacrificale

Garanzia

Per la registrazione della garanzia visitare il sito web www.tritontools.com* e inserire i propri dettagli.

A meno che il proprietario non abbia specificato diversamente, i suoi dettagli saranno inclusi nella lista di distribuzione che sarà utilizzata per inviare regolarmente informazioni sulle novità Triton. I dati personali raccolti saranno trattati con la massima riservatezza e non saranno rilasciati a terze parti.

Informazioni sull'acquisto

Data di acquisto: ___ / ___ / ___

Modello N.: TWX7CS001

Conservare lo scontrino come prova dell'acquisto

Triton Precision Power Tools garantisce all'acquirente di questo prodotto che se qualsiasi parte si rivelasse difettosa a causa di materiali difettosi o di fabbricazione entro 3 ANNI dalla data di acquisto originale, Triton riparerà o sostituirà a sua discrezione, la parte difettosa gratuitamente.

Questa garanzia non si applica ad uso commerciale né si estende alla normale usura o danni a seguito di incidenti, abuso o uso improprio.

* Registrati entro 30 giorni.

Si applicano termini e condizioni.

Ciò non pregiudica i diritti legalito be defecti

Dichiarazione di conformità CE

Il sottoscritto: Sig. Darrell Morris

come autorizzato da: Triton

Dichiara che il prodotto:

Codice di identificazione: TWX7CS001

Descrizione: Modulo per banco sega

Si conforma alle seguenti direttive:

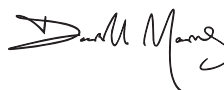
- Direttiva macchine 2006/42/CE
- Direttiva compatibilità elettromagnetica 2014/30/CE
- Direttiva RoHS 2011/65/UE
- EN61029-1:2009+A11:2010
- EN61029-2:2012
- EN55014-1:2006+A1:2009+A2:2011
- EN55014-2:1997+A1:2001+A2:2008
- EN61000-3-2:2014
- EN61000-3-3:2013

Organismo informato: TÜV Rheinland

La documentazione tecnica è mantenuta da: Triton

Data: 31/08/2016

Firma:



Signor Darrell Morris

Amministratore Delegato

Nome e indirizzo del fabbricante:

Powerbox International Limited, N°. Società 06897059. Indirizzo registrato:.

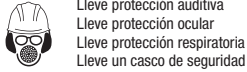
Powerbox, Boundary Way, Lufton Trading Estate, Yeovil, Somerset BA22 8HZ, Regno Unito.

Introducción

Gracias por haber elegido esta herramienta Triton. Estas instrucciones contienen la información necesaria para utilizar este producto de forma segura y eficaz. Lea atentamente este manual para obtener todas las ventajas y características únicas de su nueva herramienta. Conserve este manual a mano y asegúrese de que todas las personas que utilicen esta herramienta lo hayan leído y entendido correctamente.

Descripción de los símbolos

Los siguientes símbolos pueden aparecer en la placa de características de su herramienta. Estos símbolos representan información importante sobre el producto o instrucciones relativas a su uso.



Lleve protección auditiva
Lleve protección ocular
Lleve protección respiratoria
Lleve un casco de seguridad



Lleve guantes de seguridad



Lea el manual de instrucciones



Tenga precaución – ¡Peligro de contragolpe!



¡Atención! Cuchillas/dientes muy afilados



Para uso solo en interiores.



No utilizar en ambientes húmedos o bajo la lluvia



¡Peligro!



¡Peligro! Gases o humo tóxico



No tocar! Desenchufe la herramienta antes de acceder al protector. Mantenga a las personas y niños alejados de la zona de trabajo. Las distracciones pueden causar la pérdida de control de la herramienta. Las personas deben situarse a una distancia de seguridad de la zona de trabajo.



Desconecte siempre la herramienta de la toma eléctrica antes de realizar cualquier tarea de mantenimiento, sustituir accesorios o cuando no la esté utilizando.



Protección medioambiental

Los productos eléctricos usados no se deben mezclar con la basura convencional. Están sujetos al principio de recogida selectiva. Solicite información a su ayuntamiento o distribuidor sobre las opciones de reciclaje.

Características técnicas

Modelo:	TWX7CS001
Potencia:	1.800 W
Velocidad sin carga:	4.500 min ⁻¹
Disco de corte:	254 x 30 x 2,6 mm, 40 dpp (conforme EN 847-1)
Dimensiones de la mesa de la sierra (L x An x A):	679 x 422 x 449 mm
Capacidad para cortes transversales:	775 mm
Profundidad máxima del corte 90°:	86 mm +/- 1 mm
Capacidad para cortes 45°:	59,5 mm +/- 1 mm
Ancho de la mesa con el soporte lateral:	600 mm
Longitud de la mesa con el soporte de salida:	670 mm
Dimensiones máximas de la pieza de trabajo (L x An):	851 x 775 mm (sin soportes laterales ni soportes de salida)
Diámetro de la salida de extracción de polvo:	64,5 / 32,6 mm
Peso:	15 kg

Información sobre ruido y vibración

Presión acústica L_{pa}:	92,3 dB(A)
Potencia acústica L_{wa}:	104,6 dB(A)
Incertidumbre K:	2,5 dB

El nivel de intensidad sonora para el usuario puede exceder de 85 dB(A). Se recomiendan usar medidas de protección auditiva.

ADVERTENCIA: Utilice siempre protección auditiva cuando el nivel ruido exceda 85 dB(A) o cuando esté expuesto durante largos periodos de tiempo. Si por algún motivo nota algún tipo de molestia auditiva incluso llevando orejeras de protección, detenga inmediatamente la herramienta y compruebe que las orejeras de protección estén colocadas adecuadamente. Asegúrese de que el nivel de atenuación y protección de las orejeras sea adecuado dependiendo del tipo de herramienta y el trabajo a realizar.

ADVERTENCIA: La exposición a la vibración durante la utilización de una herramienta puede provocar pérdida del sentido del tacto, entumecimiento, hormigueo y disminución de la capacidad de sujeción. La exposición durante largos periodos de tiempo puede provocar enfermedad crónica. Si es necesario, limite el tiempo de exposición a la vibración y utilice guantes anti-vibración. No utilice la herramienta cuando sus manos estén muy frías, las vibraciones tendrán un mayor efecto. Utilice los datos técnicos de su herramienta para evaluar la exposición y medición de los niveles de ruido y vibración.

Los niveles de vibración y ruido están determinados por la directiva EN60745 y otras directivas internacionales similares. Los datos técnicos se refieren al uso normal de la herramienta en condiciones normales. Una herramienta defectuosa, mal montada o desgastada puede incrementar los niveles de ruido y vibración. Para más información sobre ruido y vibración, puede visitar la página web www.osha.europa.eu

Instrucciones de seguridad para herramientas eléctricas

ADVERTENCIA: Lea siempre el manual de instrucciones antes de utilizar esta herramienta. Las herramientas eléctricas pueden ser peligrosas y causar riesgo de incendio o descarga eléctrica si no se utilizan correctamente. Guarde estas instrucciones con la herramienta para poderlas consultar en el futuro.

ADVERTENCIA: No permita que los niños, personas discapacitadas o personas no cualificadas utilicen esta herramienta. Mantenga esta herramienta fuera del alcance de los niños.

PRECAUCIÓN: Utilice la herramienta eléctrica y los accesorios siguiendo siempre las instrucciones suministradas por el fabricante. El uso de cualquier accesorio diferente a los mencionados en este manual podría ocasionar daños o lesiones graves.

La expresión "herramienta eléctrica" se refiere a su herramienta alimentada por corriente eléctrica (herramienta alámbrica) o una herramienta eléctrica alimentada por baterías (herramienta inalámbrica).

- Mantenga el área de trabajo limpia y bien iluminada.** Las áreas de trabajo desordenadas y oscuras son peligrosas y pueden provocar un accidente.
- Entorno de trabajo adecuado.**
 - No utilice esta herramienta bajo la lluvia.
 - No utilice esta herramienta en áreas húmedas o mojadas.
 - Mantenga el área bien iluminada.
 - No utilice esta herramienta en áreas con gases o líquidos inflamables.
- Descargas eléctricas.** Evite el contacto con superficies puestas a tierra tales como tuberías, radiadores, estufas y refrigeradores.
- Mantenga alejadas a otras personas.** Mantenga alejados a los niños y personas que se encuentren a su alrededor mientras está trabajando con una herramienta eléctrica.
- Almacenaje.** Guarde siempre las herramientas eléctricas en un lugar seco fuera del alcance de los niños.
- No fuerce la herramienta.** La herramienta correcta funcionará mejor y con más seguridad a la velocidad para la que se ha diseñado.
- Utilice las herramientas y accesorios adecuados.** No intente realizar un trabajo con una herramienta o accesorio que no sea adecuado.
- Vístase adecuadamente.**
 - No lleve ropa holgada ni joyas.
 - Lleve calzado antideslizante
 - Mantenga el pelo recogido.
- Use equipo de protección personal.**
 - Utilice siempre protección ocular.
 - Use mascarara de protección anti-polvo.

ADVERTENCIA: No utilizar el equipo de protección adecuado puede provocar lesiones graves.

- Sistema de extracción de polvo.** Utilice siempre sistemas de extracción de polvo y asegúrese de que esté colocado adecuadamente.
- No doble el cable de alimentación.** No use nunca el cable de alimentación para transportar la herramienta eléctrica, tirar de ella o desenchufarla. Mantenga el cable de alimentación alejado de fuentes de calor, del aceite, de los bordes afilados o de las piezas móviles.
- Sujete las piezas de trabajo.** Utilice siempre abrazaderas o un tornillo de banco para sujetar la pieza de trabajo.
- No adopte posturas forzadas.** Manténgase en posición firme y el equilibrio en todo momento.
- Mantenimiento de las herramientas.**
 - Las herramientas de corte deben estar siempre afiladas y limpias. Las herramientas de corte correctamente afiladas son menos propensas a trabarse y son más fáciles de controlar.
 - Lubrique las piezas y accesorios necesarios.
 - Inspeccione el cable de alimentación periódicamente. En caso de estar dañado, contacte con un servicio técnico autorizado para su reparación.
 - Inspeccione los cables de extensión regularmente y repárelos si están dañados.
 - Mantenga siempre las empuñaduras limpias de grasa y aceite.

ADVERTENCIA: Muchos accidentes son causados por herramientas eléctricas que carecen de un mantenimiento adecuado.

Desenchufe la herramienta. Desconecte la herramienta eléctrica antes de instalar accesorios (brocas, fresas, disco de corte) o realizar cualquier tarea de mantenimiento.

ADVERTENCIA: Utilice sólo accesorios y piezas recomendadas por el fabricante.

Retire todas las llaves de ajuste. Retire siempre todas las llaves de ajuste antes de encender y utilizar la herramienta.

Encendido accidental. Asegúrese de que el interruptor esté en la posición de apagado antes de enchufar la herramienta.

ADVERTENCIA: El encendido accidental puede causar lesiones graves.

Cables de extensión para exteriores. Cuando utilice una herramienta eléctrica en el exterior, use un cable de extensión adecuado para uso en exteriores. La utilización de un cable adecuado para exteriores reduce el riesgo de descargas eléctricas.

Manténgase alerta.

Fíjese en lo que está haciendo y use el sentido común cuando esté utilizando una herramienta eléctrica.

No use herramientas eléctricas si se encuentra cansado o bajo la influencia de drogas, alcohol o medicamentos.

ADVERTENCIA: Un momento de distracción mientras esté utilizando una herramienta eléctrica puede provocar lesiones graves.

Piezas en mal estado.

Compruebe que su herramienta funcione correctamente antes de utilizarla.

Revise que no haya piezas en movimiento mal alineadas, trabadas, piezas rotas o cualquier otra condición que pueda afectar el funcionamiento de la herramienta eléctrica.

Algunas de las piezas (ej. protector) deben ser reparadas solamente por un servicio técnico autorizado.

Los enchufes dañados deben repararse únicamente por un servicio técnico autorizado.

ADVERTENCIA: No utilice la herramienta si el botón de encendido/apagado no funciona correctamente. Repárelo en un servicio técnico autorizado.

Reparación de su herramienta. Lleve siempre su herramienta eléctrica a un servicio técnico cualificado. No seguir estas instrucciones podría provocar lesiones graves e invalidar la garantía.

ADVERTENCIA: Utilice únicamente piezas de recambio idénticas.

ADVERTENCIA: Si el cable de alimentación está dañado, deberá repararlo en un servicio técnico autorizado.

El enchufe de la herramienta eléctrica debe coincidir con la toma de corriente. No modifique nunca el enchufe de ninguna manera. No utilice ningún enchufe adaptador con herramientas eléctricas con tomas a tierra. No enchufe no modificados y las tomas de corriente adecuadas reducirán el riesgo de descargas eléctricas.

Si es inevitable trabajar con una herramienta eléctrica en lugares húmedos, use un suministro protegido por un interruptor diferencial o disyuntor por corriente diferencial o residual (RCD). El uso de un RCD reduce el riesgo de descargas eléctricas.

ADVERTENCIA: Cuando utilice esta herramienta en Australia o Nueva Zelanda, se recomienda conectar esta herramienta a tomas de corriente protegida con dispositivo de protección de corriente diferencial residual de 30 mA o inferior.

ADVERTENCIA: Antes de conectar esta herramienta a la red eléctrica, asegúrese de que la tensión eléctrica sea la misma que el especificada en la placa de datos indicada en esta herramienta. No conecte esta herramienta a una fuente con una tensión inadecuada, podría dañar gravemente la herramienta y al usuario. En caso de duda, no conecte la herramienta a la red eléctrica. Utilizar una fuente con un voltaje inferior al valor nominal indicado en la placa de datos puede dañar el motor.

Enchufes polarizados (sólo para enchufes en América del norte). Esta herramienta está equipada con un enchufe polarizado para evitar el riesgo de descarga eléctrica (uno de los conectores es más ancho que el otro). Este tipo de enchufe sólo puede encajar en una posición concreta. Si nota que el enchufe no encaja en la toma, dele la vuelta. Si sigue sin poder enchufarlo correctamente, contacte con un electricista cualificado. No intente cambiar el enchufe.

Instrucciones de seguridad para sierras de banco

ADVERTENCIA: Lleve SIEMPRE protección adecuada cuando utilice esta herramienta, incluida protección ocular, protección auditiva, guantes de protección y mascarilla respiratoria cuando utilice mesas de aserrado. Asegúrese de que las personas a su alrededor lleven equipo de seguridad personal y estén situadas a una distancia de seguridad.

ADVERTENCIA: Conecte SIEMPRE la salida de extracción de polvo del protector de la hoja a un sistema de extracción de polvo/ aspiradora. Algunas maderas pueden ser tóxicas, el polvo y el aserrín pueden causar reacciones alérgicas en personas y animales. Lleve SIEMPRE mascarilla respiratoria y utilice un sistema de extracción de polvo.

ADVERTENCIA: La velocidad máxima de los accesorios deben ser igual o mayor que la velocidad máxima indicada en el herramienta. Los accesorios para amolar a velocidad superior de la recomendada pueden romperse y salir despedidos hacia el usuario.

- Utilice solamente sierras circulares que sean compatibles con la mesa de aserrado (ver "Características técnicas").** Utilice solo hojas compatibles y asegúrese de que las cuñas de separación no sean superiores al grosor de la anchura de corte de la hoja o más delgadas que el grosor de la hoja.
- Asegúrese de que el área de trabajo esté suficientemente iluminada y sin objetos que puedan ser peligrosos u obstruir al usuario.**
- NUNCA intente cortar metales o paredes de mampostería con esta mesa de aserrado.** Esta herramienta ha sido diseñada solamente para cortar materiales de madera.
- NUNCA intente cortar moldes con esta mesa de aserrado.** Las sierras circulares compatibles con esta herramienta no están diseñadas para realizar este tipo de cortes.
- Asegúrese SIEMPRE de que el área de trabajo esté ventilada.** Limpie regularmente los restos de polvo y aserrín de la sierra para evitar el riesgo de incendio.
- NUNCA intente retirar con las manos fragmentos de madera o polvo incrustado en el disco de corte mientras la hoja esté girando.** Apague siempre la sierra, desenchúfela de la red eléctrica y deje que la hoja se detenga completamente. Para evitar lesiones personales, utilice siempre guantes de protección resistentes a los cortes.
- NUNCA deje la sierra desatendida.** NUNCA deje la sierra desatendida hasta que la hoja se detenga completamente.
- Lea todas las instrucciones de seguridad relativas al "Contragolpe".** Siga todas las recomendaciones cuando utilice una sierra de banco.
- Introduzca SIEMPRE la pieza de trabajo en la dirección OPUESTA al sentido de rotación de la hoja.** Introduzca la pieza de trabajo en la misma dirección que la flecha marcada en la superficie de la mesa.
- Utilice SIEMPRE la guía de corte o guía paralela para ayudarlo durante el corte.** Asegúrese de que la guía de corte esté a escuadra con la hoja. Compruebe que esté sujeta firmemente y que no esté inclinada hacia la hoja.
- Sujete la pieza de trabajo firmemente contra la guía de corte o de inglete.** NUNCA utilice la guía de corte y la guía de inglete durante el mismo corte.
- NUNCA retire el protector de la hoja o la cuña de separación.** Las cuñas de separación también son conocidas como espaciadores.
- Utilice SIEMPRE un empujador cuando realice cortes estrechos para evitar que sus dedos estén colocados cerca de la hoja.** El empujador SIEMPRE debe ser más estrecho que la pieza de trabajo para evitar que pueda entrar en contacto con la hoja de la sierra. Utilice empujadores para realizar cortes parciales. Guarde el empujador cuando no lo utilice.
- NUNCA realice un corte sujetando la pieza de trabajo con ambas manos.** Utilice SIEMPRE una guía de corte o guía de inglete para ayudarlo a guiar la pieza de trabajo durante el corte.
- Mantenga las manos alejadas de la hoja, como mínimo a una distancia de 75 mm (3").**
- Retire la guía de corte cuando vaya a realizar cortes transversales.** NUNCA utilice la guía de corte en cortes transversales.
- NUNCA intente retirar una hoja atascada con la sierra encendida.** Apague y desconecte SIEMPRE la sierra de la red eléctrica.
- Apoye SIEMPRE las piezas de trabajo de gran tamaño en la parte posterior o lateral de la mesa de aserrado.** Utilice soportes con rodillos siempre que sea posible.
- NUNCA suelte la pieza de trabajo hasta que haya concluido el corte.** Utilice empujadores cuando sea necesario.
- EVITE utilizar la guía de corte en piezas de trabajo con formas o cantos irregulares.**
- NUNCA corte piezas de trabajo redondas con sierras de banco.** NUNCA utilice una mesa de aserrado para cortar troncos o leña.
- Evite SIEMPRE las posturas incorrectas.** Podría correr el riesgo de resbalsarse y caerse en dirección a la hoja de la sierra.
- INSPECCIONE la placa de guía antes de utilizar esta herramienta.** Sustitúyala si está dañada o desgastada.
- Utilice SOLAMENTE los accesorios indicados en este manual.** Utilizar accesorios incompatibles podría provocar lesiones graves y daños en la herramienta. Siga SIEMPRE todas las instrucciones de seguridad indicadas por el fabricante de cada accesorio.
- Apague SIEMPRE la sierra de banco antes de desconectarla de la red eléctrica.** Esto evitará que la sierra pueda encenderse de forma accidental cuando se vuelva a conectar a la red eléctrica.

Prevención contra el contragolpe

Nota: El contragolpe es una reacción repentina causada por una hoja apresada, atascada o mal alineada, que hace que la sierra se levante de manera incontrolada dirigiendo la pieza de trabajo bruscamente hacia el operario. En algunas ocasiones el contragolpe puede dirigir la mano del usuario hacia la hoja y provocar lesiones graves.

ADVERTENCIA: El contragolpe es el resultado de un uso incorrecto de la sierra y se puede evitar o controlar si toma las precauciones apropiadas de la siguiente manera:

- Utilice SIEMPRE las cuñas de separación (espaciadores) con la sierra.** NUNCA retire la cuña de separación, de esta forma evitará que la línea de corte pueda entrar en contacto con la hoja.
- NUNCA intente realizar un corte con una hoja dañada o desgastada.** Asegúrese que el disco de corte sea adecuado para el material que vaya a cortar.
- Asegúrese SIEMPRE que la guía de corte esté colocada paralelamente a la hoja.** Si la guía se mueve hacia la hoja, la pieza de trabajo podría entrar en contacto con la parte posterior de la hoja.
- NUNCA utilice la guía de corte y la guía de inglete simultáneamente.** Podría ocurrir un contragolpe y provocar lesiones graves.

- e) **Tenga PRECAUCIÓN al cortar paneles de madera de gran tamaño.** *Asegúrese de apoyar la pieza de trabajo utilizando soportes adecuados.*
- f) **NO corte piezas de trabajo con forma redondas o que no puedan colocarse de forma plana.** *Evite siempre cortar piezas de madera con formas deformadas e irregulares.*
- g) **NUNCA corte madera mojada ya que se producirá fricción en dirección opuesta al sentido de la hoja.** *Los restos de aserrín y polvo acumulados en la hoja incrementarán el riesgo de que se produzca un contragolpe.*
- h) **Agarre firmemente la pieza de trabajo con ambas manos y coloque sus brazos de forma que pueda contrarrestar el movimiento brusco producido en caso de contragolpe.**
- i) **Colóquese siempre en uno de los lados de la hoja. Nunca se coloque frente a la hoja.**
- j) **NUNCA retire la pieza de trabajo durante un corte.** *En caso de interrupción durante el corte, apague y desenchufe la sierra y retire la pieza de trabajo una vez se haya detenido completamente la hoja.*
- k) **EVITE que las piezas de trabajo puedan caer sobre la hoja de la sierra.** *Nunca intente realizar cortes de incisión con una mesa de aserrado.*
- l) **Utilice SIEMPRE empujadores para guiar la pieza de trabajo durante el corte.** *Utilice empujadores para sujetar la pieza de forma segura.*

Características del producto

- Enchufe
- Disco de corte
- Protector de la hoja
- Protector de la salida de extracción de polvo
- Tornillo de ajuste del protector
- Cuña de separación
- Tornillo de bloqueo de la cuña de separación
- Tapa de acceso a las escobillas
- Salida de extracción de polvo
- Tornillos para nivelar la mesa
- Rodillos de la mesa
- Conducto de la salida de extracción de polvo
- Manivela de ajuste de altura de la hoja
- Ajustador de ángulo de bisel
- Tornillo de ajuste 45°
- Tornillo de ajuste 0°
- Escala de bisel
- Tornillo para calibrar el ángulo
- Palanca de bloqueo
- Orificios para los dedos
- Orificios para las manos
- Orificio de acceso a la placa de guía
- Tornillos para nivelar el rodillo de la mesa
- Tornillo para nivelar la placa de guía
- Placa de guía
- Placa auxiliar
- Ruedecilla de alineación lateral
- Tornillo para alinear el módulo
- Superficie de la mesa
- Soporte del husillo
- Tuerca de sujeción de la hoja
- Husillo
- Contratuercas de la hoja
- Perilla de sujeción
- Tornillo de ajuste de la cuña de separación
- Soporte de montaje
- Tornillo de ajuste
- Empujador
- Herramienta multifunción 1
- Herramienta multifunción 2
- Transportador de ángulos
- Perilla de sujeción de los topes
- Guía frontal ajustable
- Soporte
- Lateral de la guía 45°
- Ranura para ajuste de ángulos
- Escala con graduaciones
- Visor/buscador de ángulos
- Carril
- Perilla para ajustar el ángulo
- Guía de corte
- Brazo de la guía de corte

Aplicaciones

Sierra de banco indicada para realizar cortes transversales, cortes a inglete y biselados. Incluye guía de corte y transportador de ángulos. Compatible con el Workcentre TWX7 y sus accesorios.

Desembalaje

- Desembale e inspeccione la herramienta con cuidado. Familiarícese con todas sus características y funciones.
- Asegúrese de que el embalaje contiene todas las partes y que están en buenas condiciones. Si faltan piezas o están dañadas, sustitúyalas antes de utilizar esta herramienta.

IMPORTANTE: Lea este manual de instrucciones junto a los manuales de su accesorio y Workcentre Triton.

Video tutorial disponible en www.tritontools.com

Antes de usar

⚠️ ADVERTENCIA: Desconecte siempre la herramienta de la toma eléctrica antes de realizar cualquier tarea de mantenimiento, sustituir accesorios o cuando no la esté utilizando.

ADVERTENCIA: Utilice SIEMPRE guantes de protección resistente a los cortes cuando use esta herramienta.

Instalación de los tornillos para nivelar la mesa

- Coloque la sierra de banco sobre una superficie plana y segura. Coloque los tornillos para nivelar el bastidor (23), los tornillos para nivelar la mesa (28) y los rodillos de la mesa (11) (Fig. A).

Instalación y desmontaje de accesorios

⚠️ ADVERTENCIA: Utilice SIEMPRE los orificios para los dedos (21) para transportar el módulo de sierra de banco.

Nota: Para poder instalar el módulo de sierra de banco, el disco de corte (2) deberá estar colocado en ángulo de 45°. Véase la sección "Ajuste del ángulo de la hoja".

Instalación del módulo de sierra de banco:

ADVERTENCIA: Baje la altura del disco de corte (2) a una posición segura antes de instalar la mesa de fresado.

ADVERTENCIA: Algunos accesorios pueden ser muy pesados. Utilice SIEMPRE los orificios para los dedos (21) cuando monte o desmonte un accesorio.

IMPORTANTE: Utilice los orificios para los dedos (20) para montar el módulo sobre el Workcentre. Tenga precaución durante el montaje para evitar lesiones personales y daños en la herramienta.

⚠️ ADVERTENCIA: Nunca coloque las manos/dedos entre el accesorio y el bastidor del Workcentre (véase Fig. B).

- Deslice los rodillos de la mesa (11) a través de la guía de montaje y coloque la mesa sobre el bastidor del Workcentre (Fig. B).

- Coloque los cierres de la mesa en posición de bloqueo (Fig. C).

Nota: Asegúrese de que los tornillos para nivelar la mesa (23) estén colocados correctamente. Los tornillos para nivelar la mesa (28) deben ajustarse de forma adecuada para evitar el movimiento entre la mesa y el bastidor del Workcentre.

Desmontaje del módulo:

- Desbloquee los cierres de la mesa. Utilice los orificios para los dedos de la mesa para levantar el accesorio. A continuación, deslice el accesorio para que los rodillos de la mesa (11) se deslicen a través de la guía de montaje de la mesa (Fig. B).

Nivelado del módulo

- Apriete los tres tornillos para nivelar el bastidor (23) y los tornillos para nivelar la mesa (28) en el orden mostrado en la Fig. D.
- Compruebe que no exista movimiento entre el accesorio y el bastidor del Workcentre (Fig. E). Vuelva a ajustar los tornillos si es necesario para comprobar que el accesorio esté correctamente nivelado.

Montaje del módulo de sierra de banco

- Véase las imágenes (A – L) para la instalación del módulo de sierra de banco. Lea la información adicional mostrada continuación.

Instalación de la cuña de separación

ADVERTENCIA: Asegúrese de que la cuña de separación (6) esté colocada de forma correcta antes de utilizar esta herramienta.

- Ajuste el disco de corte (2) en la posición 0° y levántelo a su altura máxima utilizando la manivela de ajuste de la hoja (13).
- Afloje el tornillo hexagonal situado en extremo de la placa de guía (25) y utilice el orificio de acceso a la placa de guía (22) para retirar la placa.
- Introduzca la cuña de separación (6) en la abrazadera y apriete la perilla de sujeción (34) (Fig. G).

Nivelar la placa de guía

ADVERTENCIA: Asegúrese de que la placa de guía (25) esté colocada de forma correcta antes de utilizar esta herramienta.

- Alinee la placa de guía ajustando el tornillo para nivelar la placa de guía (24).
- Compruebe que la placa de guía esté nivelada con la superficie de la mesa. Repita los pasos previos si es necesario para nivelar la placa de guía correctamente.

Ajuste del ángulo de la hoja

- Para ajustar el ángulo de bisel del disco de corte (2):

- Desbloquee la palanca de bloqueo (19).
 - Deslice el ajustador de ángulo de bisel (14) en la posición requerida.
 - Utilice la escala de bisel (17) para visualizar el ángulo de bisel.
- Para ajustar la altura del disco de corte deberá utilizar la manivela de ajuste de altura (13):
 - Mueva la manivela en sentido horario para incrementar la altura de la hoja.
 - Mueva la manivela en sentido horario para disminuir la altura de la hoja.

Calibrado del disco de corte

Nota: Véase la Fig. H para calibrar el disco de corte (2).

- Utilice la manivela de altura de la hoja (13) para ajustar el disco de corte a su altura máxima.
- Utilice el ajustador de ángulo de bisel (14) para colocar el disco de corte perpendicular a la superficie de la mesa.
- Coloque una escuadra (no suministrada) entre el disco de corte y la superficie de la mesa.
- Afloje el tornillo de ajuste 0° (16).
- Ajuste el disco de corte paralelo a la superficie de la mesa.
- Afloje los tornillos para calibrar el ángulo de la hoja (18) y alinee el indicador en la marca "0" de la escala de bisel (17).
- Utilice la palanca de bloqueo (19) para bloquear el disco de corte en la posición deseada.
- Apriete el tornillo de ajuste 0°.
- Afloje el tornillo de ajuste 45° (15).
- Coloque el disco de corte en la posición 45°.
- Apriete el tornillo de ajuste 45° y compruebe que el ajustador de ángulo de bisel marque 45°. Repita los pasos 9 – 11 cuando el ajustador de ángulo de bisel no marque 45°.

Alineación de la cuña de separación

- Utilice la manivela de altura de la hoja (13) para ajustar el disco de corte (2) a su altura máxima.
- Utilice el orificio de acceso a la placa de guía (25) para desmontar la placa de guía (22) y retirela (Fig. F)
- Afloje el tornillo de ajuste de la cuña de separación (35) y el tornillo de bloqueo de la cuña de separación (7).
- Coloque dos piezas con bordes rectos (no suministradas) contra los lados del disco de corte y la cuña de separación.
- Retire las piezas con bordes rectos y apriete el tornillo de bloqueo de la cuña de separación.
- Compruebe que la cuña de separación esté alineada con el disco de corte. Repita los pasos 3 – 5 si es necesario.
- Vuelva a colocar la placa de guía. La cuña de separación está correctamente alineada.

Guía de corte

- Despliegue el brazo de la guía de corte (52) y deslicelo en las guías situadas en el bastidor del Workcentre (Fig. I).
- El brazo de la guía de corte dispone de escala con graduaciones. Utilice el indicador de la guía de corte y la escala graduada para calcular mediciones de anchura de forma precisa.

Transportador de ángulos

- Afloje la perilla de sujeción de los topes (42) y deslice el carril (49) en la ranura en T situada en el bastidor del Workcentre (Fig. J).
- Apriete la perilla de sujeción de los topes para fijar el transportador de ángulos (41).
- Utilice la perilla para ajustar el ángulo (50) para colocar el transportador de ángulos en la posición requerida.
- El ángulo de ajuste puede visualizarse en el visor/buscador de ángulos (48).
- Ajuste la guía frontal ajustable (43) aflojando los dos pernos hexagonales para colocar piezas de trabajo de diferentes tamaños.
- Coloque el transportador de ángulos en la posición 0°. Utilice el lateral de la guía 45° (45) para realizar cortes a 45°.

Salida de extracción de polvo

ADVERTENCIA: Utilice SIEMPRE un aspirador o sistema de extracción de polvo cuando trabaje con esta herramienta.

ADVERTENCIA: Algunos materiales pueden contener sustancias tóxicas, especialmente maderas pintadas o barnizadas. Recicle siempre el polvo tóxico según la regulación vigente.

- Puede usar una aspiradora doméstica para la extracción de polvo. Para más capacidad puede utilizar el colector de polvo Triton (DCA300) junto con su aspiradora.
- Conectar la fresadora y la aspiradora conjuntamente a la misma toma eléctrica podría exceder la potencia nominal de su red eléctrica. Asegúrese de conectar ambas herramientas a tomas diferentes y encenderlas por separado.

Conexión eléctrica

Nota: El Workcentre dispone de una toma de corriente diseñada para conectar herramientas eléctricas (Fig. K). Coloque el enchufe del Workcentre en la toma de corriente.

- Utilice la toma de corriente del Workcentre para conectar herramientas eléctricas.

1. Las herramientas eléctricas deben conectarse a la toma de corriente del Workcentre.
2. Utilice un cable de extensión para extender la longitud del cable de alimentación del Workcentre si es necesario.

ADVERTENCIA: Utilice solo cables de extensión en buenas condiciones con el diámetro adecuado compatible con la herramienta que vaya a utilizar. Utilizar cables no adecuados puede provocar una bajada de tensión, pérdida de potencia y sobrecalentamiento en el motor de la herramienta eléctrica.

Funcionamiento

ADVERTENCIA: Lleve siempre protección adecuada cuando utilice esta herramienta, incluido protección ocular, protección auditiva y guantes de protección. Lleve mascarilla respiratoria cuando esté expuesto al humo o el polvo.

IMPORTANTE: La superficie de la sierra de banco dispone de una marca que indica el sentido correcto de avance de la pieza de trabajo.

ADVERTENCIA: Tenga precaución para evitar que la mesa se pueda volcar cuando utilice piezas de trabajo de gran tamaño.

ADVERTENCIA: Asegúrese de que la placa de guía (25) esté colocada de forma correcta antes de utilizar esta herramienta.

Nota: Lea atentamente el manual de instrucciones del Workcentre TWX7 para identificar las partes mencionadas en este manual.

Caja del interruptor del Workcentre

IMPORTANTE: La caja del interruptor del Workcentre requiere alimentación eléctrica para funcionar. En caso de interrupción de suministro eléctrico, la herramienta no volverá a encenderse automáticamente, en este caso deberá volver a colocar el interruptor en la posición de encendido "ON".

Encendido y apagado

1. El interruptor de encendido/apagado (ON/OFF) está situado en la parte frontal de la herramienta (Fig. K)
2. Enchufe el Workcentre en la toma eléctrica de la pared.
3. Coloque el interruptor de encendido del Workcentre en la posición de apagado "0" utilizando el botón de parada de seguridad (W11).
4. Encienda la herramienta eléctrica colocando el interruptor de encendido en la posición "I".
5. Coloque el interruptor de encendido del Workcentre en la posición de encendido "I".

- Utilice el botón de parada de seguridad para detener la herramienta en caso de emergencia.

Nota: En caso de interrupción de suministro eléctrico, la herramienta no volverá a encenderse automáticamente, en este caso deberá volver a colocar el interruptor en la posición de encendido.

Dirección de avance del material y posición del usuario

- El usuario deberá colocarse en la parte frontal donde está situado el interruptor de parada de seguridad.
- Colóquese SIEMPRE cerca del botón de parada de seguridad para poder accionarlo en caso de emergencia.
- Avance la pieza de trabajo siguiendo las flechas indicadas en la superficie de la mesa (29).

Uso de los soportes laterales (accesorios adicionales)

- El soporte lateral (TWX7SS) y el soporte de salida (TWX7OS) sirven para utilizarse con piezas de trabajo de gran tamaño. Ajuste los soportes a la longitud requerida mediante las perillas del soporte de salida y las perillas de ajuste del soporte lateral.

Ajuste del transportador de ángulos

Nota: Para incrementar la vida útil del transportador de ángulos (41) se recomienda colocar un trozo de madera adicional en la guía de corte.

1. Con el transportador de ángulos instalado en carril, afloje la perilla de sujeción de los topes (42) y la perilla para ajustar el ángulo (C50).
 2. Ajuste la posición del transportador de ángulos. El ángulo puede visualizarse en el visor/buscador de ángulos (48).
 3. Apriete la perilla para ajustar el ángulo. A continuación, apriete una de las perillas de sujeción de los topes hasta que el transportador de ángulos esté instalado firmemente sobre el carril.
- Procedimiento para cortes en ángulos de 45°:
 1. Retire el transportador de ángulos y vuelva a colocar la guía frontal ajustable (43).
 2. Asegúrese de que el visor/buscador de ángulos marque "0". A continuación apriete la perilla para ajustar el ángulo.
 3. Utilice el lateral de la guía 45° (45) para sujetar la pieza de trabajo firmemente.

Uso del empujador

ADVERTENCIA: Realizar cortes en piezas de trabajo pequeñas puede ser peligroso y requiere el uso de un empujador.

- Esta herramienta incluye un empujador (38). En algunas ocasiones puede ser necesario el uso de varios empujadores. Vea la sección "Construcción de un empujador" para crear sus propios empujadores.
- En piezas de trabajo demasiado pequeñas necesitará utilizar varios empujadores para sujetar la pieza de trabajo lo más cerca posible del disco de corte (2).

Realizar un corte

ADVERTENCIA: NUNCA coloque sus manos en la parte de la pieza de trabajo situada cerca del disco de corte (2) mientras la sierra esté funcionando o encendida.

ADVERTENCIA: Mantenga sus manos siempre alejadas del disco y la zona de corte.

ADVERTENCIA: NUNCA intente tirar de la pieza de trabajo durante el corte. Apague la herramienta y deje que el disco de corte se detenga completamente antes de retirar la pieza de trabajo.

ADVERTENCIA: Utilice soportes de trabajo adicionales (opcional) cuando realice cortes en piezas de trabajo con tamaño superior a la longitud del Workcentre. Se recomienda utilizar el soporte de salida (TWX7OS) o soporte lateral (TWX7SS) disponible en su distribuidor Triton más cercano.

Corte transversal

ADVERTENCIA: Asegúrese de que la guía de corte (51) no obstruya la pieza de trabajo durante el corte. Utilice el transportador de ángulos (41) para apoyar la pieza de trabajo durante el corte.

- Utilice soportes adicionales cuando realice cortes en piezas de trabajo con tamaño superior al mencionado en la sección "características técnicas".

1. Coloque la guía de corte alejada de la trayectoria de corte. Ajuste el transportador de ángulos (41) y fijela en el ángulo requerido.
2. Ajuste la posición de la hoja a la altura máxima para que sobresalga aproximadamente 3,2 mm de la pieza de trabajo.
3. Sujete la pieza de trabajo contra la guía de inglete utilizando la mano más cercana a la hoja y coloque la otra mano en la parte de la pieza de trabajo más alejada de la hoja.
4. Encienda la sierra y deje que el disco de corte alcance su velocidad máxima.
5. Sujete la pieza de trabajo con ambas manos tal como se describe en el paso 3 y dirijala lentamente hacia la hoja de la sierra.

Nota: Apague la sierra y espere hasta que el disco se detenga completamente antes de retirar la pieza de trabajo.

Corte de inglete

- Utilice soportes adicionales cuando realice cortes en piezas de trabajo con tamaño superior al mencionado en la sección "características técnicas".

1. Ajuste el transportador de ángulos (41) en el ángulo requerido. Para ajustar y calibrar la guía de inglete véase "Ajuste del transportador de ángulos".
2. Para realizar un corte, véase la sección "Cortes transversales".

Corte longitudinal

ADVERTENCIA: Asegúrese de utilizar la guía de corte (51) cuando realice cortes longitudinales. Compruebe SIEMPRE que la guía de corte esté sujeta firmemente antes de comenzar el corte.

ADVERTENCIA: Mantenga las manos lo más alejadas posible del disco de corte (2) y utilice un empujador (38) cuando la longitud de la pieza de trabajo sea inferior a 152 mm.

ADVERTENCIA: NUNCA retire de la pieza de trabajo mientras esté realizando un corte. Apague primero la sierra y espere hasta que el disco de corte se detenga completamente.

1. Ajuste la guía girando la perilla de bloqueo situada en la parte frontal de la guía de corte en sentido horario.
2. Retire el transportador de ángulos (41).
3. Ajuste la posición de la hoja a la altura máxima para que sobresalga aproximadamente 3,2 mm de la pieza de trabajo.
4. Coloque la pieza de trabajo sobre la mesa y contra la guía de corte. Mantenga la pieza de trabajo a 25 mm de distancia de la hoja.
5. Encienda la sierra y deje que el disco de corte alcance su velocidad máxima.
6. Sujete la pieza de trabajo con ambas manos y dirijala lentamente hacia la hoja de la sierra. Introduzca la pieza de trabajo a una velocidad constante hasta terminar el corte. Utilice el empujador (38) para piezas de trabajo con longitud inferior a 150 mm.

Corte longitudinal biselado

ADVERTENCIA: Asegúrese de que la guía de corte (51) esté situada en el lado derecho del disco de corte (2) cuando realice cortes a bisel. El disco de corte nunca debe estar inclinado hacia la guía de corte.

Nota: El procedimiento es exactamente el mismo que en la sección "Corte longitudinal" excepto que el ángulo de ajuste deberá ajustarse a un valor distinto a 0°.

1. Desbloquee la palanca de bloqueo (19) y utilice el ajustador de ángulo de bisel (14) para ajustar el ángulo del disco de corte (2).
2. A continuación, bloquee la palanca de bloqueo.
3. Siga los pasos descritos en la sección "Corte longitudinal".

Corte transversal biselado

Nota: El procedimiento es exactamente el mismo que en la sección "Corte longitudinal" excepto que el ángulo de ajuste deberá ajustarse a un valor distinto a 0°.

- Utilice soportes adicionales cuando realice cortes en piezas de trabajo con tamaño superior al mencionado en la sección "características técnicas".

1. Desbloquee la palanca de bloqueo (19) y utilice el ajustador de ángulo de bisel (14) para ajustar el ángulo del disco de corte (2).
2. A continuación, bloquee la palanca de bloqueo.
3. Siga los pasos descritos en la sección "Corte transversal".

Accesorios

- Existen gran variedad de accesorios, uero de asa y ruedas de transporte (TWX7RTK), soporte lateral (TWX7SS) y soporte de salida (TWX7OS) compatibles disponibles en su distribuidor Triton más cercano o a través de www.toolsaresonline.com.

Mantenimiento

ADVERTENCIA: Desconecte siempre la herramienta de la toma de corriente antes de cambiar o sustituir cualquier accesorio, instalar una herramienta o realizar cualquier ajuste.

ADVERTENCIA: Lleve siempre protección adecuada cuando utilice esta herramienta, incluido protección ocular, protección auditiva y guantes de protección resistentes a los cortes.

ADVERTENCIA: Utilice SIEMPRE guantes resistentes a los cortes cuando manipule discos de corte, de esta forma evitará que se produzcan cortes accidentales.

Sustitución del disco de corte

ADVERTENCIA: Asegúrese de que la velocidad del disco de corte sea igual o superior a la velocidad máxima indicada en la herramienta, de lo contrario el accesorio podría romperse y salir despedido violentamente.

1. Retire el protector de la hoja (3) fuera de la caña de separación (6) aflojando el tornillo de sujeción de la caña de separación.
2. Afloje el tornillo hexagonal situado en la parte delantera de la placa de guía (25). Retire la placa de guía para utilizando el orificio de acceso a la placa de guía (Fig. F).
3. Desbloquee la palanca de bloqueo (19), ajuste el husillo (32) a la altura máxima girando la manivela de ajuste de la hoja (13) en sentido horario.

- Ajuste la altura de la hoja bloqueando la palanca de bloqueo.
 - Retire el disco de corte (2) desgastado sujetando el soporte del husillo (30) con la herramienta multifunción 1 (39) a través de la parte posterior de la hoja. Utilice la herramienta multifunción 2 (40) para retirar la tuerca de sujeción de la hoja (31).
 - Instale las dos partes de la contratuerca de la hoja (33) en el disco de corte nuevo. A continuación, coloque el disco y la contratuerca en el husillo (Fig. L).
- Nota:** Asegúrese de que el disco de corte esté instalado en la posición correcta. El disco de corte debe girar en la misma dirección que la flecha indicada en el protector de la hoja.
- Apretete el disco de corte sujetando el husillo con la herramienta multifunción 1 y apretando la tuerca de sujeción de la hoja con la herramienta multifunción 2.
 - Vuelva a instalar la placa de guía y el protector de la hoja.

Sustitución de la placa de guía

ADVERTENCIA: Con el paso del tiempo la placa de guía puede deteriorarse y deberá reemplazarse. Sustituya la placa de guía si es necesario.

- Retire el protector de la hoja (3) fuera de la cuña de separación (6) siguiendo las indicaciones de la sección "Instalación del protector de la hoja y accesorios" en modo inverso.
- Utilice el orificio de acceso a la placa de guía (22) para retirar el cierre de la placa de guía (25) (Fig. F).
- Instale la placa de guía/placa auxiliar nueva.
- Véase la sección "Nivelar la placa de guía" para nivelar la placa con la superficie de la mesa.
- Vuelva a colocar el protector de la hoja.

Limpieza

- Mantenga la herramienta siempre limpia. La suciedad y el polvo pueden dañar y reducir la vida útil su herramienta.
- Utilice un cepillo suave o un paño seco para limpiar la herramienta.
- Nunca utilice agentes cáusticos para limpiar las piezas de plástico. Se recomienda utilizar un paño humedecido con un detergente suave.
- Nunca deje que el agua entre en contacto con la herramienta.
- Asegúrese de que la herramienta esté completamente seca antes de utilizarla.
- Si dispone de un compresor de aire comprimido, sople con aire seco y limpio para limpiar los orificios de ventilación.

Limpieza del polvo acumulado

- Apague y desconecte la herramienta de la toma de corriente. Retire el protector de la hoja (3) fuera de la cuña de separación (6) aflojando el tornillo de sujeción de la cuña de separación.
- Afioje el tornillo hexagonal situado en la parte delantera de la placa de guía (25). Retire la placa de guía para utilizando el orificio de acceso a la placa de guía (Fig. F).
- Retire el conducto de la salida de extracción de polvo (12) y los adaptadores instalados en la salida de extracción de polvo (9).
- Limpie el polvo acumulado.
- Vuelva a instalar el protector de la hoja, la placa de guía, el conducto de la salida de extracción de polvo y los adaptadores.

Lubricación

- Aplique regularmente spray lubricante en seco PTFE en las piezas móviles.

ADVERTENCIA: Nunca utilice spray lubricante con silicona o aceite. Los residuos de lubricante y la suciedad/polvo acumulado pueden obstruir los mecanismos de esta herramienta. Utilice SOLO spray lubricante en seco PTFE.

Almacenaje

- Guarde esta herramienta y accesorios en un lugar seco y seguro fuera del alcance de los niños.

Reciclaje

Deshágase siempre de las herramientas eléctricas adecuadamente respetando las normas de reciclaje indicadas en su país.

- No deseche las herramientas y aparatos eléctricos junto con la basura convencional. Reciclelos siempre en puntos de reciclaje.
- Póngase en contacto con la autoridad local encargada de la gestión de residuos para obtener más información sobre cómo reciclar este tipo de herramientas correctamente.

Solución de problemas

Problema	Causa	Solución
La herramienta no se enciende al accionar el interruptor de encendido/apagado	Falta de alimentación eléctrica	Compruebe el suministro eléctrico
	Interruptor de encendido/apagado averiado	Sustituya el interruptor de encendido/apagado en un servicio técnico Triton
Corte de mala calidad	Disco de corte defectuoso	Sustituya el disco de corte. Véase la sección "Sustitución del disco de corte"
El corte no coincide con los ajustes realizados	Transportador de ángulos (41) o guía de corte (51) aflojados	Apriete firmemente el transportador de ángulos o guía de corte
	El disco de corte (2) no está calibrado	Véase la sección "Calibrado del disco de corte"
	El transportador de ángulos (41) o pieza de madera no pueden soportar la pieza de trabajo correctamente	Sustituya la pieza de madera

Garantía

Para registrar su garantía, visite nuestra página Web en www.tritontools.com* e introduzca sus datos personales. Estos datos serán incluidos en nuestra lista de direcciones (salvo indicación contraria) de manera que pueda recibir información sobre nuestras novedades. Sus datos no serán cedidos a terceros.

Recordatorio de compra

Fecha de compra: ___/___/___

Modelo: TWX7CS001

Declaración de conformidad CE

El abajo firmante: Mr Darrell Morris

Autorizado por: Triton

Declara que el producto:

Código de identificación: TWX7CS001

Descripción: Módulo sierra de banco

Está en conformidad con las directivas:

- Directiva de máquinas 2006/42/CE
- Compatibilidad electromagnética 2014/30/CE
- Directiva RoHS 2011/65/UE
- EN61029-1:2009+A11:2010
- EN61029-2:2012
- EN55014-1:2006+A1:2009+A2:2011
- EN55014-2:1997+A1:2001+A2:2008
- EN61000-3-2:2014
- EN61000-3-3:2013

Conserve su recibo como prueba de compra.

Las herramientas Triton disponen de un periodo de garantía de 3 años una vez haya registrado el producto en un plazo de 30 días contados a partir de la fecha de compra. Si durante ese periodo apareciera algún defecto en el producto debido a la fabricación o materiales defectuosos, Triton se hará cargo de la reparación o sustitución del producto adquirido. Esta garantía no se aplica al uso comercial por desgaste de uso normal, daños accidentales o por mal uso de esta herramienta.

* Registre el producto online en un plazo de 30 días contados a partir de la fecha de compra.

Se aplican los términos y condiciones.

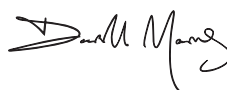
Esto no afecta a sus derechos legales.

Organismo notificado: TÜV Rheinland

La documentación técnica se conserva en: Triton

Fecha: 31/08/2016

Firma:



Mr Darrell Morris

Director General

Nombre y dirección del fabricante:

Powerbox International Limited, N° de registro: 06897059. Dirección legal: Powerbox, Boundary Way, Lufton Trading Estate, Yeovil, Somerset BA22 8HZ, Reino Unido.

Introdução

Obrigado por comprar esta ferramenta Triton. Este manual contém as informações necessárias para a operação segura e eficiente deste produto. Este produto apresenta recursos exclusivos, e mesmo que você esteja familiarizado com produtos similares, é necessário ler o manual cuidadosamente para garantir que as instruções sejam totalmente entendidas. Assegure-se de que todos os usuários desta ferramenta leiam e compreendam totalmente o manual.

Descrição dos símbolos

A placa de identificação de sua ferramenta poderá apresentar alguns símbolos. Estes indicam informações importantes sobre o produto, ou instruções sobre seu uso.



Use proteção auricular
Use proteção ocular
Use proteção respiratória
Use proteção de cabeça



Use proteção nas mãos



Leia o manual de instruções



Cuidado com o contragolpe!



Aviso: Lâminas ou dentes afiados!



Apenas para uso interno!



NÃO use sob chuva ou em ambientes úmidos!



Cuidado!



Fumos ou gases tóxicos!



NÃO toque! NÃO TOQUE na proteção sem antes desligar a energia elétrica. Mantenha as crianças e observadores à distância, quando operar ferramentas elétricas. Distrações podem fazer você perder o controle. Todos os observadores devem ser mantidos a uma distância segura da área de trabalho.



Desconecte sempre da tomada elétrica, quando for fazer ajustes, trocar acessórios, limpar, efetuar manutenção ou quando não estiver em uso!



Proteção ambiental

O descarte de produtos elétricos não deve ser feito no lixo doméstico. Faça a reciclagem em locais próprios para isso. Consulte as autoridades locais ou seu revendedor para saber como reciclar.

Especificação

Número do modelo:	TWX7CS001
Potência:	1800W
Velocidade sem carga:	4500/min
Lâmina de serra de carboneto metálico	254 x 30 x 2,6mm, 40 dentes, Atende a EN 847-1
Tamanho do módulo de serra de empreiteiro C x L x A	679 x 422 x 449mm
Capacidade máx. de corte de tábuas	775mm
Profundidade de corte a 90°:	86mm +/-1mm
Corte angulares máx. a 45°:	59,5mm +/-1mm
Largura da extensão lateral da mesa:	+600mm
Comprimento da extensão de saída da mesa:	+670mm
Tamanho máx. da peça de trabalho C x L:	851 x 775mm (sem suporte adicional de saída ou lateral)
Tamanho do orifício de saída de pó	64,5/ 32,6mm
Peso:	15kg
Informações sobre ruído e vibração	
Pressão sonora L_{pA} :	92,3dB(A)
Pressão sonora L_{wA} :	104,6dB(A)
Incerteza K:	2,5dB
O nível de intensidade sonora para o operador poderá ultrapassar 85dB(A) e, por isso, são necessárias medidas de proteção.	

AVISO: Use sempre proteção auditiva apropriada, quando o ruído da ferramenta ultrapassar 85dB(A), e limite o tempo de exposição ao mínimo necessário. Caso os níveis de ruído se tornem desconfortáveis, mesmo com proteção auditiva, pare imediatamente de usar a ferramenta e verifique se a proteção auditiva está ajustada de forma correta, de modo a proporcionar a atenuação sonora correta, para o nível de ruído produzido pela ferramenta.

AVISO: A exposição do usuário à vibração da ferramenta pode resultar em perda de sentido do tato, dormência, formigamento e diminuição da capacidade de agarrar. A exposição por longo prazo pode levar a uma condição crônica. Caso necessário, limite o período de tempo que fica exposto à vibração e use luvas antivibração. Não use a ferramenta com as mãos expostas a uma temperatura abaixo da temperatura normal confortável, uma vez que a vibração tem mais impacto nessa condição. Use os valores fornecidos na especificação relativa a vibrações, para calcular a duração e frequência de uso da ferramenta.

Os níveis sonoros da especificação são determinados de acordo com a norma EN60745, ou por padrão internacional similar. Os valores consideram o uso normal da ferramenta, sob condições de trabalho normais. Uma ferramenta montada, mantida ou usada incorretamente, poderá produzir níveis de ruído, e de vibração, superiores. O site: www.osha.europa.eu fornece mais informações sobre níveis de vibração e ruído em locais de trabalho, e pode ser útil para usuários domésticos que usam ferramentas por longos períodos de tempo.

Segurança geral

AVISO! Quando se trabalha com ferramentas elétricas, devem ser tomadas precauções básicas de segurança para se reduzir o risco de incêndio, choques elétricos e ferimentos pessoais, incluindo as seguintes informações de segurança. Leia todas estas instruções antes de tentar operar este produto e guarde-as para uso posterior.

AVISO: Este equipamento não foi projetado para ser usado por pessoas (inclusive crianças) com capacidade física ou mental reduzida ou com falta de experiência ou conhecimento, exceto se estiverem sob supervisão ou houverem recebido instruções relativas ao uso do equipamento pela pessoa responsável por sua segurança. As crianças devem ser supervisionadas para garantir que não brinquem com o equipamento.

CUIDADO: Use a ferramenta elétrica, seus acessórios e outros elementos de acordo com estas instruções, considerando as condições de trabalho e o serviço a ser executado. O uso da ferramenta para operações diferentes daquelas para as quais foi projetada pode resultar em uma situação de risco

O termo “ferramenta elétrica”, nos avisos, se refere a uma ferramenta elétrica que usa alimentação da rede (com cabo elétrico) ou uma bateria (sem cabo elétrico).

- Mantenha o local de trabalho limpo - Locais e bancadas desordenadas são um convite a ferimentos.
- Providencie um ambiente de trabalho adequado
 - onde as ferramentas não fiquem expostas à chuva
 - onde as ferramentas não tenham contato com água ou umidade
 - que seja bem iluminado
 - onde as ferramentas não sejam usadas na presença de gases ou líquidos inflamáveis
- Proteja-se contra os choques elétricos - Evite contato do seu corpo com superfícies aterradas (por ex., canos, radiadores, fogões, refrigeradores).
- Mantenha outras pessoas afastadas do local - Não deique que outras pessoas, especialmente crianças, não envolvidas no trabalho, toquem a ferramenta ou o cabo de alimentação elétrica e mantenha-as afastadas do local de trabalho.
- Guarde ferramentas que não estejam em uso - Quando não estiverem sendo usadas, as ferramentas deverão ser guardadas em um local seco e trancado, longe do alcance de crianças.
- Não force a ferramenta - Ela fará o trabalho de uma forma melhor e mais segura, se usada da forma para a qual foi concebida.
- Use a ferramenta correta - Não force ferramentas pequenas a fazerem o trabalho de uma ferramenta de serviço pesado. Não use as ferramentas para fins não previstos; por exemplo, não use serras circulares para cortar galhos ou toras de árvores.
- Vista-se de forma apropriada
 - Não use roupas soltas ou joias, que podem ser agarradas por peças móveis.
 - Recomenda-se o uso de calçados de segurança adequados, quando trabalhar ao ar livre.
 - Use uma toca de proteção para prender cabelos longos.
- Use equipamento de proteção
 - Use óculos de segurança
 - Use uma máscara contra poeira se o trabalho produzir poeira ou serragem.

AVISO: O não utilização de equipamentos de proteção ou do vestuário adequado poderá provocar ferimentos pessoais ou aumentar a gravidade dos ferimentos.

- Use equipamento de coleta e extração de poeira ou serragem - Se a ferramenta tem encaixe para equipamento de coleta e extração de serragem e poeira, assegure-se de utilizá-lo.
- Não abuse do cabo de alimentação - Nunca sacuda ou puxe o cabo de energia para desconectá-lo da tomada. Mantenha o cabo de alimentação longe do calor, óleo e bordas afiadas. Cabos danificados ou emaranhados aumentam o risco de choque elétrico.
- Prenda a peça de trabalho - Sempre que possível, use braçadeiras ou uma morsa para prender a peça de trabalho. É mais seguro do que usar sua mão.
- Não se estique demais - Mantenha sempre o equilíbrio e os pés em local firme.
- Faça a manutenção cuidadosa das ferramentas
 - Manter as ferramentas de corte afiadas e limpas, torna-as mais fáceis de controlas e reduz as chances de que travarem na peça de trabalho.
 - Sigas as instruções de lubrificação e de substituição de acessórios.
 - Inspeccione os cabos de energia da ferramenta, periodicamente, e, caso estejam danificados, providencie o reparo por uma oficina de assistência técnica autorizada.
 - Inspeccione os cabos de extensão periodicamente e substitua-os, se estiverem danificados.
 - Mantenha as empunhaduras secas, limpas e livres de óleo e graxa.

AVISO: Muitos acidentes são causados por ferramentas mal conservadas.

- Desconecte as ferramentas - Quando não estiverem em uso e antes de efetuar a manutenção, ou quando for trocar acessórios, como lâminas brocas e facas, desconecte as ferramentas da alimentação elétrica.

AVISO: O uso de acessórios não recomendados pelo fabricante poderá resultar em risco de ferimentos.

- Remova as chaves e ferramentas - Crie o hábito de verificar se não ficou nenhuma ferramenta ou chave dentro da máquina, antes de ligá-la à alimentação elétrica.

- Evite partidas não intencionais - Assegure-se de que o interruptor está na posição “desligado”, quando ligar a máquina na tomada de energia, quando estiver inserindo um conjunto de baterias ou quando for pegar ou transportar a máquina.

AVISO: A partida não intencional de uma ferramenta pode causar ferimentos graves.

- Use extensões próprias para uso externo - Quando a máquina for usada ao ar livre, use somente cabos de extensão próprios para uso externo, e que tenham esse tipo de indicação em seu corpo. A utilização de um cabo de extensão adequado para uso externo reduz o risco de choque elétrico.
- Fique alerta
 - Preste atenção ao que está fazendo, use o bom senso e não opere a máquina quando estiver cansado.
 - Não use ferramentas elétricas quando estiver sob influência de drogas, álcool ou medicamentos.

AVISO: Um momento de desatenção, quando se opera uma ferramenta elétrica, pode resultar em ferimentos pessoais graves.

- Verifique se existem peças danificadas
 - Antes de usar a ferramenta, esta deverá ser cuidadosamente inspecionada para se garantir que funcionará corretamente e de acordo com sua finalidade pretendida.
 - Verifique o alinhamento ou emperramento das peças móveis, se existem peças quebradas ou outras condições que possam afetar a operação da máquina.
 - Uma proteção, ou peça, que esteja danificada deverá ser consertada de forma correta, ou substituída, em uma oficina de assistência técnica autorizada, a menos que o manual de instruções dê outra orientação.
 - Interruptores defeituosos devem ser consertados em uma oficina de assistência técnica autorizada.

AVISO: Não use a máquina se o interruptor liga/desliga não estiver funcionando. Nesse caso, o interruptor precisará ser reparado, antes que a máquina volte a ser usada.

- A máquina deve ser reparada por uma pessoa qualificada - Esta ferramenta elétrica atende as normas de segurança aplicáveis. Os reparos só devem ser efetuados por pessoal qualificado pois, de outro modo, poderão surgir perigos consideráveis para o usuário.

AVISO: Quando trocar peças, use apenas peça originais idênticas.

AVISO: Se o cabo de força estiver danificado, deverá ser substituído pelo fabricante, ou por um centro de assistência técnica autorizado.

- O plugue de tomada do cabo de alimentação da máquina deve corresponder ao padrão da tomada de parede - Nunca modifique o plugue. Nunca use conectores adaptadores em ferramentas elétricas com fio terra (aterradas). Plugues sem modificações e tomadas corretas reduzem o risco de choques elétricos.

- Caso esteja usando uma ferramenta elétrica, use um disjuntor DR - O uso de um disjuntor DR reduz o risco de choques elétricos.

NOTA: O termo “Dispositivo de Corrente Residual” (Disjuntor DR, Disjuntor Diferencial, Disjuntor Diferencial Residual, ou, simplesmente, DR), poderá ser substituído pelo termo “ground fault circuit interrupter (GFCI)” (Disjuntor de Falha de Terra) ou “earth leakage circuit breaker (ELCB)” (Disjuntor de Fuga de Terra).

AVISO: Quando usada na Austrália ou Nova Zelândia, recomenda-se que esta ferramenta seja SEMPRE alimentada através de um Dispositivo de Corrente Residual (DR), com corrente residual nominal de 30mA ou menos.

AVISO: Antes de conectar uma ferramenta a uma fonte de energia (conector do interruptor de energia da rede, tomada de parede, etc.), certifique-se de que a voltagem de alimentação tem o mesmo valor que o especificado na etiqueta de identificação da ferramenta. Uma fonte de energia com uma voltagem acima da especificada para a ferramenta poderá resultar em ferimentos graves e danificar a ferramenta. Se estiver em dúvida, não conecte a ferramenta. Usar uma fonte de energia com voltagem abaixo da voltagem nominal, especificada na placa de identificação, poderá ser prejudicial para o motor.

Plugues com polaridade (apenas nos Estados Unidos). Para reduzir o risco de choques elétricos, este equipamento tem um plugue de tomada polarizado (um dos terminais é mais largo do que o outro). Este plugue só encaixa em uma tomada polarizada em uma das duas posições. Caso o plugue não esteja encaixando na tomada, inverta-o. Se após a reversão ainda não encaixar, contate um electricista qualificado para instalar uma tomada correta. Não modifique o plugue de forma alguma.

Segurança da serra de mesa

AVISO: Quando usar a mesa de serra, use SEMPRE equipamento de proteção individual, incluindo mas não limitado a proteção ocular, proteção auditiva, máscara respiratória e luvas adequadas Assegure-se de que todas as pessoas na vizinhança da área de trabalho estão usando as proteções apropriadas. Mantenha os observadores a uma distância segura.

AVISO: Conecte SEMPRE o bocal de extração de pó do protetor da lâmina a um sistema de aspiração de pó a vácuo adequado. Certos tipos de madeira são tóxicos ou poderão provocar reações alérgicas em pessoas e animais, especialmente quando o pó produzido for muito fino. Use SEMPRE proteção respiratória adequada além do sistema de extração de pó.

AVISO: A velocidade nominal de rotação da lâmina de serra deve ser pelo menos igual a velocidade máxima especificada na ferramenta elétrica. Acessórios que girarem acima de sua velocidade nominal poderão se quebrar resultando no arremesso de suas partes.

- Use **APENAS serras circulares que constem com especificações na 'Especificações' da mesa de serra.** Use *APENAS lâminas de serra compatíveis, assegurando-se de que a lâmina separadora não é mais espessa do que o entalhe da lâmina, e não mais fina do que a lâmina de serra.*
- GARANTA que a área de trabalho está segura e suficientemente iluminada, sem obstruções, perigos de tropeçamento e outros perigos potenciais.**
- NUNCA tente cortar metais ou produtos de gesso que contenham alvenaria com esta mesa de serra..** Ela é concebida para corte exclusivo de madeira e produtos similares.
- NÃO tente usar uma cabeça de molda com esta mesa de serra.** As serras circulares compatíveis e a configuração da mesa não são adequadas para este tipo de corte.
- Assegure SEMPRE que a área de trabalho esteja bem ventilada. Remova toda a serragem com frequência e remova-a da serra, para evitar o risco de incêndios.**
- NUNCA tente remover fragmentos de madeira, ou serragem, da lâmina com suas mãos, enquanto a lâmina ainda estiver em rotação.** *Desligue SEMPRE a serra, desconecte-a da tomada elétrica e aguarde até que a lâmina de serra pare. Use SEMPRE luvas à prova de cortes quando tocar na lâmina de serra, para evitar ferimentos.*
- NUNCA** deixe a ferramenta funcionando sozinha. Depois de desligar a ferramenta, **NÃO** se afaste da mesa de serra, até que a lâmina tenha parado de girar completamente.
- Leia **COM CUIDADO** as instruções apresentadas em 'Prevenção de contragolpes', e siga essas recomendações quando usar a mesa de serra.
- Alimente SEMPRE a peça de trabalho contra o sentido de rotação da lâmina de serra. A direção de alimentação é indicada pela seta impressa na superfície da mesa.
- Use SEMPRE a guia paralela quando fizer cortes de tábuas. Assegure-se de que a guia está paralela à lâmina, **NÃO DEVE** existir ângulo em direção à lâmina, e prenda de maneira firme a guia por ambas as extremidades.
- Prenda SEMPRE a peça de trabalho firmemente contra a guia de corte ou transferidor de ângulo. **NUNCA** use a guia de corte na mesma operação em que está usando o transferidor de ângulo.

- NUNCA** remova o protetor de lâmina ou lâmina separadora. As lâminas separadoras também são conhecidas pelo termo 'afastadores'.
- Use SEMPRE um extensor quando cortar peças de trabalho estreitas, de modo que sua mão não se aproxime da lâmina de serra. O extensor deve ser SEMPRE mais estreito do que a peça de trabalho, para evitar que o extensor entre em contato com a lâmina. *Use um pente de segurança e blocos nos cortes que não são completos. Guarde o extensor com a serra, quando não o estiver usando.*
- NUNCA** realize nenhuma operação à mão livre apoiando as peças de trabalho somente com suas mãos. Use SEMPRE, ou uma guia de corte ou um transferidor de ângulo para guiar o trabalho.
- NUNCA** se estique por trás, por cima ou mais perto do que 75mm (3”) da lâmina, com suas mãos, por nenhuma razão.
- Mova SEMPRE a guia de corte para fora do caminho, quando fizer cortes transversais. **NUNCA** use a guia de corte e o transferidor de corte, quando efetuar cortes transversais.
- NUNCA** tente soltar uma lâmina presa, com a serra ligada. Desligue SEMPRE e desconecte a máquina da fonte de alimentação.
- Apoie SEMPRE peças de trabalho grandes no lados de entrada e saída de alimentação da mesa de serra e, onde necessário, também nas laterais. Use cavaletes ou roletes de apoio, sempre que possível.
- NUNCA** solte a peça de trabalho antes que ultrapasse totalmente a lâmina da serra, usando um extensor, onde necessário.
- EVITE** peças de trabalho de forma irregular que não possuam uma borda reta que possa ser encostada na guia de corte.
- NÃO** corte tábuas redondas com serras de mesa. **NÃO** use serras de mesa para cortar toras ou lenha de fogueira.
- Evite SEMPRE operações e posições de mão desajeitadas, onde um deslize repentino possa fazer com que sua mão ou outras partes de seu corpo entrem em contato com a lâmina.
- INSPECIONE** a placa base antes do uso. Substitua placas base que estejam danificadas ou gastas.
- Use **SOMENTE** os acessórios identificados neste manual, que sejam compatíveis com a mesa de serra. *O uso de acessórios incompatíveis pode ser inerentemente perigoso e levar a ferimentos graves ou danos materiais sérios. Siga SEMPRE todas as instruções de segurança e procedimentos de uso, fornecidos com o equipamento.*
- Desligue SEMPRE a mesa de serra antes de desconectar o plugue de alimentação elétrica da tomada. Isto evita a partida acidental quando o plugue for reconectado na tomada.

Prevenção de contragolpes

Nota: Um contragolpe ocorre quando a lâmina trava rapidamente, como resultado de ficar presa ou de desalinhamento, empurrando a peça de trabalho na direção do operador. Também pode puxar as mãos do operador contra a lâmina, o que resultaria em graves ferimentos.

AVISO: Os contragolpes são resultado de mau uso e/ou condições de operação ou procedimentos incorretos. Contudo as forças de contragolpe poderão ser controladas pelo operador, ou completamente evitadas, caso sejam tomadas as devidas precauções:

- Use SEMPRE a serra com a lâmina separadora instalada. NUNCA remova a lâmina separadora para evitar que o entalhe do corte venha a prender a lâmina de corte.
- NUNCA tente cortar com uma lâmina cega ou irregular. Assegure-se SEMPRE de que a lâmina é adequada para o tipo de material a ser cortado.
- Garanta SEMPRE que a guia de corte está paralela com a lâmina. Caso a guia se incline para dentro em direção à lâmina, a peça de trabalho poderá entrar em contato com a borda preta da lâmina, e poderá ser arremessada para trás, de forma descontrolada, em direção ao usuário.
- NUNCA use a guia de corte e o transferidor de ângulo, simultaneamente. Isto poderá provocar contragolpes fortes e graves ferimentos.
- Tome CUIDADO quando cortar peças grandes. Garanta que peças grandes são apoiadas por suportes adequados na entrada e saída da peça.
- NÃO corte toras ou peças redondas que não possam ser colocadas de forma plana sobre a mesa. Evite madeiras torcidas, deformadas ou cheias de nós.
- NÃO corte madeiras molhadas pois isso produz uma fricção elevada contra a lâmina de serra. Além disso a serragem úmida poderá se acumular na lâmina aumentando ainda mais a probabilidade de contragolpes.
- Segure a peça de trabalho SEMPRE com firmeza, com ambas as mãos, posicionando seus braços de modo a resistir às forças de contragolpe.
- Fique fora da trajetória da lâmina e posicione seu corpo equilibradamente em ambos os lados da lâmina, mas não em linha com ela.
- NÃO retroceda o movimento de corte. Caso precise interromper o movimento antes de completar um corte, desligue a serra e remova a peça de trabalho, após a lâmina parar de girar.
- EVITE que peças de trabalho caiam sobre a lâmina. Não tente realizar cortes de imersão com sua serra de mesa.
- Use SEMPRE extensores ou blocos extensores, quando apropriado, para guiar a peça de trabalho durante a operação de corte. Use pentes de segurança para manter a peça de trabalho contra a mesa,

Familiarização com o produto

- Tomada de energia elétrica
- Lâmina de serra
- Protetor de lâmina
- Bocal de pó do protetor de lâmina
- Parafuso de fixação do protetor
- Lâmina separadora
- Parafuso de bloqueio da lâmina separadora
- Tampa da escova
- Bocal de extração de pó
- Bobina de nivelamento do módulo
- Roleta do módulo
- Painel coletor de serragem
- Controle de altura da lâmina
- Ajuste do ângulo de chanfro
- Parafuso de corte a 45°
- Parafuso de corte a 0°
- Indicador do ângulo de chanfro
- Parafuso de calibração de ângulo
- Alavanca de trava
- Orifícios para os dedos
- Fendas para as mãos
- Furo de acesso à placa de entalhe
- Parafuso da bobina de nivelamento do módulo
- Parafuso de nivelamento da placa de entalhe
- placa de entalhe
- Placa descartável
- Roda de alinhamento lateral
- Parafuso de nivelamento do módulo
- Superfície da mesa do módulo
- Suporte do mandril
- Porca de fixação da lâmina
- Mandril
- Flange da lâmina
- Botão de fixação
- Parafuso de ajuste da lâmina separadora
- Aba de fixação
- Parafuso de fixação
- Extensor
- Multiferramenta 1
- Multiferramenta 2
- Transferidor
- Botão de trava da bancada
- Guia dianteira ajustável
- Suporte de apoio
- Guia angular de 45°
- Fenda angular
- Escala de graduação

- Visualizador de ângulo
- Trilho da bancada
- Botão de ajuste de ângulo
- Guia de corte
- Braço da guia de corte

Uso pretendido

Uma mesa de serra eficiente capaz de efetuar cortes transversais, em chanfro ou de entalhes. Inclui transferidor e guia de corte Adequada apenas para cortes em madeira e materiais similares. Para ser usada com o Centro de Trabalho TWX7 Triton e respectivos acessórios.

Desembalagem de seu produto

- Desembale e inspecione cuidadosamente seu produto. Familiarize-se completamente com todos os recursos e funções
- Certifique-se de que todas as peças do produto estão presentes e em bom estado. Caso estejam faltando peças ou existam peças danificadas, substitua-as primeiro, antes de tentar usar a ferramenta.

IMPORTANTE: Leia estas instruções juntamente com as instruções fornecidas com seu Centro de Trabalho Triton.

Para ver um vídeo com instruções, acesse: www.tritontools.com

Antes do uso



AVISO: Assegure-se de que a mesa de serra está desconectada da fonte de alimentação, antes de instalar ou trocar acessórios, inserir ou remover módulos ou fazer quaisquer ajustes.

AVISO: Use SEMPRE luvas adequadas à prova de cortes quando manusear a lâmina de serra. Caso não faça isso, poderá se cortar ou ferir.

Instalação do parafuso de nivelamento do módulo

- Com o Módulo de serra de empreiteiro instalado em uma superfície firme e plana, instale os parafusos da bobina de nivelamento do módulo (23), os Parafusos de nivelamento de módulo (28) e os Roletes do módulo (11), como mostrado na fig. A

Instalação e remoção do módulo



CUIDADO: Quando transportar o Módulo de serra de empreiteiro, use as Fendas para as mãos (21).

Nota: Para inserir/remover o Módulo de serra de empreiteiro, a Lâmina de serra (2) precisa estar na posição de 45°. Consulte 'Ajuste de lâmina' para obter instruções detalhadas sobre a alteração do ângulo da lâmina.

Instalação de módulo:

AVISO: Abaixe a lâmina de serra (2) até uma altura segura, antes de instalar ou remover o módulo de serra de empreiteiro.

AVISO: Alguns módulos são pesados, especialmente com as ferramentas elétricas instaladas. Segure o módulo SEMPRE pelas fendas para as mãos (21), assegurando-se de que está com os pés firmemente apoiados e em posição vertical. Evite movimentos desajeitados quando remover e instalar módulos.

IMPORTANTE: Abaixe os módulos sempre com cuidado usando ambos os furos de dedo disponíveis (20). Um abaixamento descontrolado poderá provocar danos ao Centro de Trabalho, módulo e à ferramenta elétrica, como também ferimentos ao operador.



CUIDADO: Não coloque dedos e/ou partes de seu corpo entre o módulo e a estrutura do Centro de Trabalho. Ver a fig. B

- Deslize os roletes do módulo (11) para dentro dos trilhos de montagem do módulo e abaixe o módulo até sua posição, cuidadosamente. Veja a figura B.
- Coloque as Travas do módulo na posição travada, fig. C

Nota: Assegure-se de que os parafusos da bobina de nivelamento do módulo (23) estão posicionados corretamente nos localizadores das bobinas. Os parafusos de nivelamento do módulo (28) precisam ser ajustados para eliminar a folga entre o módulo e a estrutura do Centro de Trabalho.

Remoção de módulo:

- Coloque as travas do módulo na posição 'destravada'. Erga o módulo da estrutura usando os orifícios de dedo, e deslize os Roletes do Módulo (11) dos trilhos de Montagem do Módulo, consulte a fig. B.

Nivelamento dos módulos da mesa

- Nivele o módulo, ajustando os parafusos da bobina de nivelamento do módulo (23) e os parafusos de nivelamento do módulo (28) na ordem apresentada na figura. D
- Verifique se o módulo está nivelado em relação à superfície da mesa, usando uma borda reta, como mostrado no diagrama da figura E. Caso o módulo ainda esteja desnivelado, repita o procedimento acima.

Montagem do módulo de serra de empreiteiro

- Veja as figuras de A a O e as informações abaixo para montar o Módulo de serra de empreiteiro.

Instalação da lâmina separadora

AVISO: Antes do uso, assegure que a lâmina separadora (6) está devidamente travada em seu lugar

- Com a lâmina de serra (2) na posição de 0°, erga a lâmina até sua altura máxima, usando o Controle de altura da lâmina (13).
- Solte o parafuso sextavado, localizado na extremidade de entrada do Furo de acesso à placa de entalhe (25), e use este furo (22) para soltar a placa, fig. F.
- Insira a lâmina separadora (6) no suporte de fixação, e aperte o Botão de fixação (34) fig. G

Nivelamento da placa de entalhe

AVISO: Antes do uso, assegure-se de que a placa de entalhe (25) está corretamente instalada e nivelada.

- Nivele a placa de entalhe ajustando os Parafusos de nivelamento da placa de entalhe (24).
- Verifique se a placa de entalhe está nivelada em relação à superfície da mesa em torno dela, usando uma borda reta. Se a placa de entalhe ainda estiver desnivelada, repita o procedimento acima.

Ajuste da lâmina

- Para ajustar o ângulo de chanfro da lâmina de serra (2):
 - Destrave a alavanca de trava (19)
 - Gire o ajuste de ângulo de chanfro (14) para alterar o ângulo da lâmina.
 - Use o indicador de ângulo de chanfro (17) para ver o ângulo da lâmina.
- Para ajustar a altura da lâmina de serra, gire o Controle de altura de lâmina (13),
 - no sentido horário, para levantar a lâmina de serra, e
 - no sentido anti-horário, para abaixar a lâmina de serra.

Calibração de lâmina

Nota: Consulte a fig. H, quando calibrar a lâmina de serra (2).

- Erga a lâmina de serra até sua altura máxima, usando o Controle de altura da lâmina (13).
- Usando o ajuste do ângulo de chanfro (14), posicione a lâmina de serra de modo a ficar perpendicular à superfície da mesa.
- Posicione um esquadro plano (não fornecido) contra o topo da mesa e contra a lâmina de corte.
- Solte o parafuso de corte a 0° (16).
- Ajuste o ângulo da lâmina de serra de modo que fique paralela com o esquadro.
- Solte os parafusos de calibração de ângulo (18) e alinhe o ponteiro vermelho com o '0' no Indicador de ângulo de chanfro (17).
- Trave a lâmina de serra na posição, usando a alavanca de trava (19).
- Aperte o parafuso de corte de 0°.
- Solte o parafuso de corte a 45° (15).
- Mova a lâmina de corte para a posição de 45°.
- Aperte o parafuso de corte de 45° e verifique se aparece o valor de 45° no indicador de ângulo de chanfro. Caso não apareça 45° no indicador de ângulo de chanfro, após o aperto do parafuso de corte de 45°, repita os passos de 9 a 11.

Alinhamento da lâmina separadora

- Com a lâmina de serra (2) na posição de 0°, erga a lâmina até sua altura máxima, usando o Controle de altura da lâmina (13).
- Solte o parafuso sextavado, localizado na extremidade de entrada do Furo de acesso à placa de entalhe (25), e use este furo (22) para soltar a placa, fig. F
- Solte o parafuso de ajuste da lâmina separadora (35) e o parafuso de bloqueio da lâmina separadora (7).
- Coloque duas bordas retas, por exemplo régua, contra as laterais da lâmina de serra e da lâmina separadora.
- Remova as bordas retas e aperte o parafuso de ajuste da lâmina separadora, e em seguida o parafuso bloqueio da lâmina separadora.
- Verifique se a lâmina separadora está alinhada com a lâmina de serra. Caso não estejam alinhadas, repita os passos de 3 a 5 até que ocorra o alinhamento.
- Reposicione a placa de entalhe e a lâmina separadora, agora está alinhada.

Guia de corte

- Desdobre os Braços da guia de corte (52) e deslize-os para dentro das guias da guia de corte, localizada na estrutura do Centro de trabalho, fig. I.
- Os braços da guia de corte apresentam uma escala de graduação. Quando usada juntamente com o Indicador de posição da guia de corte, podem ser extraídas medidas de largura precisas.

Transferidor

- Solte o botão de trava da bancada (42) e deslize o trilho da bancada (49) para dentro da fenda em T da estrutura do Centro de trabalho, fig. J.
- Aperte o botão de trava da bancada para prender o transferidor (41).
- O ajuste de ângulo pode ser obtido destravando o botão de ajuste de ângulo (50) e girando o transferidor até ao ângulo desejado.
- O ângulo é exibido através do visualizador de ângulo (48).
- Ajuste a guia dianteira ajustável (43), soltando os dois parafusos sextavados, de modo a acomodar peças de trabalho de tamanhos diferentes.
- Gire o transferidor até o ângulo de 0°, para usar a guia angular de 45° (45) em cortes precisos a 45°.

Coleta de pó

AVISO: Use SEMPRE um aspirador de pó adequado ou um sistema de aspiração de pó de oficina.

AVISO:Alguns pós de madeira natural, revestimentos de superfície e materiais compostos contém substâncias tóxicas. Descarte SEMPRE os pós nocivos de acordo com as leis e regulamentos.

- Embora o pó possa ser coletado com um aspirador de pó, as unidades domésticas (com saco) podem ficar cheias muito rapidamente. Para obter uma capacidade muito maior, considere acoplar um Triton Dust Collector (DCA300) a seu aspirador de pó.

- A carga elétrica combinada da serra de empreiteiro e do aspirador de pó pode ultrapassar a amperagem nominal do cabo de extensão doméstico ou da tomada elétrica. Conecte sempre a serra de empreiteiro e o aspirador em tomadas elétricas separadas e acione ambos os aparelhos separadamente.

Conexões elétricas

Nota: O Centro de trabalho possui um interruptor isolador e um soquete que facilitam a conexão das ferramentas na rede de alimentação elétrica, fig. K.

Conecte o Centro de trabalho à rede elétrica usando o plugue de tomada elétrica.

- Use o conector de energia para ligar ferramentas elétricas na rede elétrica.

1. As ferramentas elétricas devem ser conectadas à caixa de conexões do Centro de Trabalho.

2. Caso necessário, poderão ser usados cabos de extensão para aumentar o comprimento do cabo de energia do Centro de Trabalho.

AVISO: Use apenas cabos de extensão que estejam em boas condições, com secção transversal de diâmetro suficiente para suportar a corrente consumida pela respectiva ferramenta. Cabos subdimensionados provocarão uma queda de voltagem na linha, resultando em perda de potência, superaquecimento e queima do motor elétrico da ferramenta.

Operação

AVISO: Use SEMPRE proteção ocular, auricular e respiratória adequadas, bem como luvas apropriadas, quando trabalhar com esta ferramenta.

IMPORTANTE: O módulo de serra de empreiteiro possui marcas com a direção de alimentação das peças de trabalho, que indicam o sentido correto e seguro a ser seguido, quando se realizam os cortes.

AVISO: Não desequilibre o Centro de Trabalho alimentando-o com peças de trabalho muito grandes.

AVISO: Antes do uso, assegure-se de que a placa de entalhe (25) está corretamente instalada e nivelada.

Nota: Consulte as instruções originais de seu Centro de Trabalho TWX7 para obter as instruções e diagramas completos das peças de seu Centro de Trabalho.

Operação da caixa de conexões

IMPORTANTE: A caixa de conexões exige ser conectada a uma tomada de energia elétrica de rede para ser ligada (estado ON). Ela voltará ao estado OFF assim que a energia for desconectada, e precisará ser reiniciada para o estado ON, quando a energia for restaurada, para que a operação possa continuar.

Acionamento e desligamento

- O interruptor ON/OFF do Centro de trabalho fica localizado na frente da estrutura do Centro de Trabalho, Fig. K
- Conecte o plugue do cabo de energia do Centro de Trabalho em uma tomada elétrica de parede e ligue.
- Coloque o interruptor ON/OFF do Centro de trabalho na posição '0', pressionando o botão de parada com o joelho.
- Conecte o plugue de alimentação elétrica da ferramenta no soquete de conexão de ferramentas elétricas.
- Ligue a ferramenta pressionando o interruptor ON/OFF para a posição 'I'.
 - Pressione o botão de parada com o joelho para desligar.

Nota: Caso a energia elétrica seja interrompida durante o uso, a máquina não reiniciará. O interruptor LIGA/DESLIGA terá de ser ativado novamente para se retomar a operação.

Posição do usuário e direção de alimentação

- A posição principal do operador é definida pela localização do botão de parada acionado com o joelho.
- Permaneça SEMPRE próximo a esse botão de modo que possa parar a máquina imediatamente, no caso de uma emergência.
- Alimente as peças de trabalho na direção indicada pelas setas na superfície da mesa (29).

Uso das extensões de mesa (Disponíveis como acessórios)

- As barras de saída (TWX7OS) e de suporte lateral (TWX7SS), opcionais, podem ser ajustadas para fornecer um suporte robusto para peças de trabalho maiores. O ajuste pode ser feito soltando-se os parafusos do suporte de saída e/ou os parafusos do suporte lateral, e estendendo a respectiva barra de suporte até atingir o tamanho da peça de trabalho.

Ajuste do transferidor

Nota: Para aumentar a vida útil do transferidor (C41), recomenda-se prender um pedaço de madeira descartável na guia.

- Com o transferidor localizado na fenda em T, solte o botão de trava da bancada (42) e o botão de ajuste de ângulo (50).
- Ajuste o ângulo do transferidor, o ângulo é exibido através do visualizador de ângulo (48).

3. Trave o botão de ajuste de ângulo com firmeza e o aperte botão de trava da bancada apenas até começar a sentir resistência, de forma a prender o transferidor na fenda em T.

- Alternativamente, caso se deseje um ângulo de 45°:

- Remova o transferidor e reinstale-o de modo que a guia frontal ajustável (43) fique à direita.
- Assegure-se de que está aparecendo o valor '0°' no visualizador de ângulo e trave o botão de ajuste de ângulo.
- Use a face angular de 45° (45) para prender a peça de trabalho.

Uso do extensor

AVISO: A realização de cortes em peças de trabalho pequenas é perigosa e exige o uso de extensores.

- Este produto é fornecido com um extensor (38). Contudo, poderá ser necessário usar mais de um extensor para cortar a peça de trabalho com segurança.
- Quando estiver cortando ripas de madeira de pequeno diâmetro, será necessário usar múltiplos extensores para prender a peça de trabalho que estiver próxima da lâmina de serra (2).

Operações de corte

AVISO: NUNCA manuseie nenhuma parte da peça de trabalho que estiver próxima da lâmina de serra (2), enquanto a lâmina estiver em movimento, ou enquanto a energia estiver ligada. Fazer isso poderá provocar a ejeção da peça de trabalho da máquina, causando ferimentos no operador.

AVISO: Mantenha ambas as mãos longe da lâmina e do trajeto de corte, em todos os momentos.

AVISO: NUNCA tente puxar a peça de trabalho para trás durante uma operação de corte; desligue a máquina e espere que a lâmina de corte pare, antes de remover a parte da peça de trabalho.

AVISO: Quando cortar peças de tamanho grande, maiores do que a largura e/ou comprimento da mesa do Centro de trabalho, será necessário apoiar a peça de trabalho adequadamente por meio dos suportes opcionais de saída (TWX7OS) e/ou lateral (TWX7SS) do Centro de trabalho, os quais podem ser encontrados em seu revendedor Triton.

AVISO: Assegure-se de que o Centro de trabalho é instalado em uma superfície firme, plana e estável. Antes de usar o Centro de trabalho, verifique SEMPRE se seus pés estão firmemente apoiados. O uso do Centro de trabalho em terrenos perigosos, irregulares e instáveis é perigoso e poderá causar ferimentos graves no operador.

Execução de cortes transversais

AVISO: Para evitar que a parte da peça de trabalho que está sendo cortada seja arremessada, evite restringir a peça de trabalho com a Guia de corte (51). Use o transferidor (41) para apoiar a peça de trabalho durante o procedimento de corte.

- Se a peça de trabalho for maior do que as dimensões máximas de peça de trabalho estipuladas na 'Especificação', ajuste as estruturas de suporte para apoiarem a peça de trabalho durante o procedimento de corte.

- Posicione a Guia de corte longe do trajeto da peça de trabalho. Ajuste o transferidor (41) no ângulo desejado e trave nessa posição.
- Posicione a lâmina de serra de forma que seu ponto mais alto fique aproximadamente 3,2 mm mais alto do que o topo da peça de trabalho.
- Segure a peça de trabalho firmemente contra o transferidor com a mão que está mais próxima da lâmina de serra, e posicione a outra mão na parte da peça de trabalho que está mais longe da lâmina de serra.
- Ligue a mesa de empreiteiro e deixe que a lâmina atinja sua velocidade de operação.
- Enquanto usa ambas as mãos para apoiar a peça de trabalho, como descrito no 'passo 3', empurre a peça de trabalho lentamente contra a lâmina de serra.

Nota: Ante de remover a parte cortada da peça de trabalho, desligue a serra e espere que a lâmina pare completamente de girar.

Execução de cortes entalhados

- Se a peça de trabalho for maior do que as dimensões máximas de peça de trabalho estipuladas na 'Especificação', ajuste as estruturas de suporte para apoiarem a peça de trabalho durante o procedimento de corte.

- Ajuste o transferidor (41) no ângulo desejado. Para obter as instruções sobre o ajuste e calibração do transferidor, consulte a seção 'Ajuste do transferidor'.
- Consulte 'Execução de cortes transversais' para ver as instruções sobre os procedimentos de corte.

Execução de cortes de ripas

AVISO: Assegure-se de que a Guia de corte (51) é usada quando realizar o corte de ripas, pois a execução desses cortes à mão livre é perigosa. Verifique SEMPRE se a guia está firmemente travada em sua posição, antes de efetuar os cortes.

AVISO: Sempre que realizar cortes de ripas, e sempre que possível, mantenha as mãos longe da lâmina de serra (2) e use o extensor (38) para alimentar a peça de trabalho contra a lâmina, caso a distância entre a guia e a lâmina seja menor do que 152mm.

AVISO: NUNCA tente puxar a peça de trabalho para trás durante o processo de corte. Desligue a máquina e aguarde a lâmina de serra parar completamente antes de remover a parte da peça que foi cortada.

- Se a peça de trabalho for maior do que as dimensões máximas de peça de trabalho estipuladas na 'Especificação', ajuste as estruturas de suporte para apoiarem a peça de trabalho durante o procedimento de corte.

1. Ajuste e trave a Guia de corte fechando as travas da guia de corte.
2. Remova o transferidor (41).
3. Posicione a lâmina de serra de forma que seu ponto mais alto fique aproximadamente 3,2 mm mais alto do que o topo da peça de trabalho.
4. Segure a peça de trabalho plana contra a mesa e contra a guia de corte. Mantenha a peça de trabalho a, pelo menos, 25 mm da lâmina de corte.
5. Ligue a serra de empreiteiro e deixe que a lâmina atinja sua velocidade de operação.
6. Enquanto segura a peça de trabalho contra a guia e contra a mesa, empurre lentamente a peça contra a lâmina de serra. Empurre a peça de trabalho com uma pressão constante até que a peça toda tenha passado pela lâmina de corte. Use o extensor (38) para continuar empurrando a peça de trabalho contra a lâmina, quando a ponta da peça de trabalho que sobrou para cortar estiver a menos do que 150 mm da lâmina.

Execução de cortes chanfrados em ripas

AVISO: Quando executar um corte de chanfro em uma tábua, assegure-se de que a Guia de corte (51) está do lado direito da lâmina de serra (2). A lâmina de serra nunca deve ser inclinada em direção à guia de corte.

Nota: Esta operação segue o mesmo procedimento descrito em 'Execução de cortes de ripas', exceto que o ângulo é ajustado em um valor diferente de '0°'.

- Se a peça de trabalho for maior do que as dimensões máximas de peça de trabalho estipuladas na 'Especificação', ajuste as estruturas de suporte para apoiarem a peça de trabalho durante o procedimento de corte.

1. Destrave a alavanca de trava (19) e o ângulo da Lâmina de serra (2) por meio do Ajuste do ângulo de chanfro (14).
2. Quando o ângulo desejado estiver ajustado, trave a lâmina de serra na posição com a Alavanca de trava.
3. Siga os procedimentos de corte descritos em 'Execução de cortes de ripas'.

Execução de cortes chanfrados transversais

Nota: Esta operação segue o mesmo procedimento descrito em 'Execução de cortes transversais', exceto que o ângulo é ajustado em um valor diferente de '0°'.

- Se a peça de trabalho for maior do que as dimensões máximas de peça de trabalho estipuladas na 'Especificação', ajuste as estruturas de suporte para apoiarem a peça de trabalho durante o procedimento de corte.

1. Destrave a alavanca de trava (19) e ajuste o ângulo da lâmina de serra usando Ajuste de ângulo de chanfro (14).
2. Quando o ângulo desejado estiver ajustado, trave o controle de ajuste na posição com a Alavanca de trava.
3. Siga os procedimentos de corte descritos em 'Execução de cortes transversais'.

Acessórios

- O seu revendedor Triton oferece uma série de acessórios incluindo o Kit de trajeto robusto (TWX7RTK), o Suporte lateral (TWX7SS) e o Suporte de saída (TWX7OS). Peças de reposição podem ser adquiridas em seu revendedor Triton, ou on-line pelo site: www.toolsparsonline.com

Manutenção

⚠ CUIDADO: Desconecte SEMPRE o Centro de Trabalho da energia elétrica, antes de limpar, trocar acessórios, fazer ajustes ou realizar manutenções.

⚠ CUIDADO: Use SEMPRE equipamento de proteção, incluindo proteção ocular e luvas à prova de cortes adequadas, quando limpar ou realizar manutenção nesta ferramenta.

⚠ AVISO: Use SEMPRE luvas adequadas quando manusear a Lâmina de serra (2). Caso isso não seja feito, o operador poderá se cortar ou ferir.

Substituição da lâmina de serra

AVISO: A velocidade nominal de rotação da lâmina de serra deve ser pelo menos igual à velocidade máxima especificada na ferramenta elétrica. Acessórios que girarem acima de sua velocidade nominal poderão se quebrar e suas partes serem arremessadas.

1. Destaque o protetor de lâmina (3) da lâmina separadora (6), removendo o parafuso que segura o protetor à lâmina separadora.
2. Solte o parafuso sextavado, localizado na extremidade de entrada do Furo de acesso à placa de entalhe (25), e use este furo (24) para soltar a placa, figura F.
3. Com a alavanca de trava (19) destravada, levante o mandril (32) até sua altura máxima, girando o Controle de altura da lâmina (13) no sentido horário.
4. Trave o Controle de altura da lâmina em sua posição com a alavanca de trava.
5. Remova a Lâmina de serra (2) atual, prendendo o mandril (30) com a Multiferramenta 1 (39), ao mesmo tempo em que remove a porca de fixação da lâmina (31) com a Multiferramenta 2 (40).
6. Instale as duas metades do flange da lâmina (33) na lâmina de serra nova e, depois, instale este conjunto no mandril figura L.

Nota: Assegure-se de instalar a lâmina de serra com a orientação correta. A seta de direção da lâmina, encontrada na lâmina de serra deve corresponder à direção da seta que aparece no protetor de lâmina.

7. Aperte a lâmina de serra no lugar, prendendo o suporte do mandril com a Multiferramenta 1 , ao mesmo tempo em que aperta a porca de fixação da lâmina com a Multiferramenta 2.
8. Reinstale a placa de entalhe e o protetor de lâmina.

Substituição da placa de entalhe

AVISO: Quando a serra de empreiteiro é sujeita a uso constante, pode ocorrer a deterioração da placa de entalhe. Esta placa deverá estar sempre em boas condições de uso. Portanto, deve ser substituída, caso necessário.

1. Destaque o protetor de lâmina (3) da lâmina separadora (6), removendo o parafuso que segura o protetor à lâmina separadora.
2. Solte o parafuso sextavado, localizado na extremidade de entrada do Furo de acesso à placa de entalhe (25), e use este furo (22) para soltar a placa, fig. F.
3. Instale a placa de entalhe nova e/ou a Placa descartável.
4. Nivele a placa de entalhe. Consulte 'Nivelamento da placa de entalhe' para obter instruções detalhadas sobre este procedimento.
5. Reinstale o protetor de lâmina.

Limpeza

- Mantenha sua ferramenta limpa o tempo todo. A sujeira e o pó produzem desgaste acelerado das peças internas e encurtam a vida útil da ferramenta. Limpe o corpo de sua ferramenta com uma escova macia e pano seco. Se houver ar comprimido disponível, use-o para soprar a sujeira nas fendas de ventilação.
- Nunca use agentes cáusticos para limpar peças plásticas. Caso não seja suficiente uma limpeza seca, recomenda-se o uso de um pano úmido com detergente suave.
- Água não deve nunca entrar em contato com a ferramenta.
- Assegure-se de que a ferramenta está completamente seca, antes de usá-la.

Limpeza de obstruções causadas por detritos

1. Desligue a ferramenta e desconecte-a da alimentação elétrica. Destaque o protetor de lâmina (3) da lâmina separadora (6), removendo o parafuso que segura o protetor à lâmina separadora.
2. Solte o parafuso sextavado, localizado na extremidade de entrada do Furo de acesso à placa de entalhe (25), e use este furo (24) para soltar a placa, figura F.
3. Remova o Painel coletor de serragem (12) e todas as conexões de tubulação de aspiração ao bocal de coleta de pó (9).
4. Localize o local obstruído e remova os detritos.
5. Reinstale o protetor de lâmina, a placa de entalhe, o Painel do coletor de pó e as conexões de aspiração, uma vez que a obstrução tenha sido removida.

Lubrificação

- Lubrifique todas as peças móveis a intervalos regulares com PTFE aerossol, especialmente depois de um uso intenso ou após a limpeza.

AVISO: NÃO lubrifique com óleo ou aerossóis de manutenção à base de silicone. Os resíduos do lubrificante se combinarão com a madeira e com o pó provocando o acúmulo de sujeira e interferindo nas peças móveis e mecanismos. Lubrifique APENAS a seco com PTFE em aerossol.

Armazenamento

- Armazene esta ferramenta e seus acessórios em sua caixa, em um local seco e firme, fora do alcance de crianças.

Descarte

Cumpra sempre as leis nacionais ao descartar ferramentas elétricas que não funcionam mais e cujo reparo não é mais viável.

- Não descarte ferramentas elétricas, ou outros equipamentos elétricos e eletrônicos (WEEE) no lixo doméstico.
- Contate a autoridade local de eliminação de resíduos para saber o modo correto de descartar ferramentas elétricas.

Resolução de problemas

Problema	Possível causa	Solução
Nada funciona quando o botão Liga/Desliga (On/Off) é acionado	Não há energia	Verifique a fonte de alimentação elétrica
	Interruptor Liga/Desliga danificado	Leve a máquina a um Centro de Serviço Autorizado da Triton, para troca do interruptor de energia
Qualidade de corte ruim	Lâmina defeituosa	A lâmina precisa ser trocada. Consulte 'Substituição da lâmina de corte' para obter instruções de como trocar a lâmina.
Os perfis de corte não correspondem às medições	A fixação do Transferidor (41) ou da Guia de corte (51) não está bem apertada	Reaperte as guias garantindo que não ocorre nenhum movimento quando se aplica alguma pressão.
	A lâmina de serra (2) não está calibrada	Calibre a lâmina de serra usando o método descrito em 'Calibração da lâmina'
	A madeira descartável ou a Guia do transferidor (41) não estão fornecendo o apoio necessário	Substitua o pedaço de madeira descartável

Garantia

Para registrar sua garantia, visite nosso site em www.tritontools.com* e cadastre suas informações.

Seus dados serão incluídos em nossa lista de endereços (a menos que indicado de outro modo) para que você receba informações sobre lançamentos futuros. Os dados que nos fornecer não serão repassadas a terceiros.

Registro de compra

Data de compra: ___/___/___

Modelo: TWX7CS001 Retenha sua nota fiscal como comprovante de compra.

Declaração de conformidade

O abaixo assinado: Sr. Darrell Morris

Conforme autorizado por: Triton

Declara que o equipamento

Código de identificação: TWX7CS001

Descrição: Serra de Empreiteiro

Está em conformidade com os seguintes padrões e diretivas:

- Diretiva de Maquinário 2006/42/EC
- Diretiva de EMC 2014/30/EC
- Diretiva de RoHS 2011/65/EU
- EN61029-1:2009+A11:2010
- EN61029-2:2012
- EN55014-1:2006+A1:2009+A2:2011
- EN55014-2:1997+A1:2001+A2:2008
- EN61000-3-2:2014
- EN61000-3-3:2013

A Triton Precision Power Tools garante ao comprador deste produto que se qualquer peça estiver comprovadamente defeituosa devido a falhas de material ou mão de obra durante os próximos 3 anos a partir da data da compra original, Triton irá reparar ou, a seu critério, substituir a peça defeituosa sem custo.

Esta garantia não se aplica ao uso comercial nem se estende ao desgaste normal ou a danos decorrentes de acidente, abuso ou uso indevido.

* Registre-se online dentro de 30 dias após a compra.

Termos e condições aplicáveis.

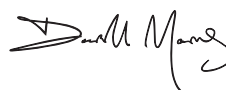
Isto não afeta seus direitos legais.

Orgão notificado: TÜV Rheinland

A documentação técnica é mantida pela: Triton

Data: 31/08/2016

Assinado:



Mr Darrell Morris

Diretor Geral

Nome e endereço do fabricante:

Powerbox International Limited, Company No. 06897059. Registered address: Powerbox, Boundary Way, Lufton Trading Estate, Yeovil, Somerset BA22 8HZ, United Kingdom.

Wprowadzenie

Dziękujemy za zakup narzędzia marki Triton. Zalecamy zapoznać się z niniejszymi instrukcjami: zawierają one informacje niezbędne dla bezpiecznej i wydajnej obsługi produktu. Produkt posiada szereg unikalnych funkcji, dlatego też, nawet, jeśli jesteś zaznajomiony z podobnymi produktami, przeczytanie instrukcji obsługi umożliwi Ci pełne wykorzystanie tego wyjątkowego projektu. Przechowuj niniejsze instrukcje w zasięgu ręki i upewnij się, że użytkownicy narzędzia przeczytali i w pełni zrozumieli wszystkie zalecenia.

Opis symboli

Tabela znamionowa zawiera symbole dotyczące narzędzia. Stanowią one istotne informacje o produkcie lub instrukcje dotyczące jego stosowania.



Należy nosić środki ochrony słuchu
Należy nosić okulary ochronne
Należy nosić środki ochrony dróg oddechowych
Należy używać kasku ochronnego



Należy nosić rękawice ochronne



Należy w całości przeczytać instrukcję obsługi



Bądź świadomy odrzutu!



Ostrzeżenie: Ostre zęby/ostre



Do użytku wyłącznie w pomieszczeniach!



NIE WOLNO korzystać z urządzenia w przypadku deszczu lub wilgotnym środowisku!



Uwaga!



Toksyczne opary lub gazy!



NIE DOTYKAĆ! NIE WOLNO próbować dostać się do osłony bez uprzedniego wyłączenia zasilania. Należy trzymać dzieci oraz osoby postronne z dala od pracującego narzędzia. Dekoncentracja może spowodować utratę kontroli. Wszystkie osoby pojawiające się wokół miejsca prac powinny być bezpiecznie trzymane z dala od miejsca pracy.



Należy zawsze odłączać urządzenie od zasilania elektrycznego, podczas regulacji, wymiany akcesoriów, czyszczenia, konserwacji oraz gdy nie jest w użytku!



Ochrona środowiska
Nie należy wyrzucać zużytych produktów elektrycznych wraz z odpadami komunalnymi. Jeśli jest to możliwe, należy przekazać produkt do punktu recyklingu. W celu uzyskania wskazówek dotyczących recyklingu należy skontaktować się z władzami lokalnymi lub sprzedawcą.

Dane techniczne

Numer modelu:	TWX7CS001
Moc:	1800W
Prędkość bez obciążenia:	4500/min
Tarcza tnąca:	zgodny z EN 847-1 254 x 30 x 2,6 mm, 40 zębów
Rozmiar modułu piłarki tnącej Dł. x Szer. x Wys.	679 x 422 x 449 mm
Maks. zdolność cięcia wzdłużnego:	775 mm
Maks. głębokość cięcia przy 90°:	86mm +/-1 mm
Maksymalne cięcie pod kątem 45°:	59,5 mm +/-1 mm
Moduł z elementem przedłużającym szerokość:	+600 mm
Moduł z elementem przedłużającym długość:	+670 mm
Maks. wielkość obrabianego przedmiotu dł. x szer.:	851 x 775 mm (bez dodatkowego elementu przedłużającego szerokość i długość stołu)
Rozmiar portu ekstrakcji pyłu:	64,5/ 32,6 mm
Waga:	15 kg
Parametry emisji dźwięku i wibracji	
Poziom ciśnienia akustycznego L _{PA} :	92,3 dB(A)
Poziom mocy akustycznej L _{WA} :	104,6 dB(A)
Niepewność pomiaru K:	2,5 dB
Poziom natężenia dźwięku dla operatora może przekroczyć 85 dB(A) dlatego konieczne jest zastosowanie środków ochrony słuchu.	

OSTRZEŻENIE: Jeżeli poziom hałasu przekracza 85 dB(A) należy zawsze stosować środki ochrony słuchu oraz, jeśli to konieczne, ograniczyć czas narażenia słuchu na nadmierny hałas. Jeśli poziom dźwięku powoduje dyskomfort nawet przy zastosowaniu ochraniaczy słuchu, należy natychmiast zaprzestać korzystania z narzędzia i sprawdzić, czy ochronniki słuchu są prawidłowo zamontowane i zapewniają właściwy poziom tłumienia dźwięku względem poziomu hałasu wytwarzanego przez narzędzie.

UWAGA: Narażenie użytkownika na wibracje narzędzia może spowodować utratę zmysłu dotyku, drętwienie, mrowienie i zmniejszenie zdolności uchwytu. Długotrwałe narażenie może prowadzić do stanu przewlekłego. Jeśli jest to konieczne, ogranicz czas narażenia na wibracje i stosuj rękawice antywibracyjne. Nie korzystaj z urządzenia w trybie ręcznym w temperaturze niższej niż normalna komfortowa temperatura otoczenia, ponieważ zwiększy to efekt wywołany przez wibracje. Skorzystaj z wartości liczbowych podanych w specyfikacji dotyczącej wibracji, aby obliczyć czas trwania i częstotliwość pracy z narzędziem.

Poziom hałasu i wibracji w specyfikacjach jest określony zgodnie z normą EN60745 lub podobnymi normami międzynarodowymi. Wartości te reprezentują korzystanie z urządzenia w normalnych warunkach roboczych. Niedbała konserwacja, nieprawidłowy montaż lub nieprawidłowe użytkowanie urządzenia mogą spowodować wzrost poziomu hałasu oraz wibracji. www.osha.europa.eu dostarcza informacji na temat poziomów hałasu i wibracji w środowisku pracy, które mogą być przydatne dla użytkowników prywatnych korzystających z urządzenia przez długi czas.

Ogólne instrukcje dotyczące bezpieczeństwa użytkowania elektronarzędzia

OSTRZEŻENIE! Zawsze należy się stosować do podstawowych zasad korzystania z elektronarzędzi (w tym informacji na temat bezpieczeństwa ujętych w niniejszej instrukcji) podczas ich użytkowania dla zmniejszenia ryzyka pożaru, porażenia prądem obrażeń ciała. Należy przeczytać wszystkie instrukcje przed rozpoczęciem pracy oraz zachować ją na przyszłość.

OSTRZEŻENIE: Urządzenie nie jest przeznaczone do użytkowania przez osoby (w tym dzieci) o ograniczonej sprawności fizycznej lub umysłowej, lub o braku doświadczenia i wiedzy, chyba, że będą one nadzorowane lub zostaną poinstruowane na temat korzystania z urządzenia przez osobę odpowiedzialną za ich bezpieczeństwo. Należy pilnować, aby dzieci nie wykorzystywały urządzenia, jako zabawki.

OSTRZEŻENIE: Należy używać elektronarzędzia, akcesoriów oraz innych oprzyrządzeń zgodnie z tą instrukcją, biorąc pod uwagę warunki pracy oraz rodzaj pracy, który ma być wykonywany. Korzystanie z elektronarzędzi niezgodnie z ich przeznaczeniem może doprowadzić do niebezpiecznych sytuacji.

Termin „elektonarzędzie” odnosi się do urządzenia zasilanego sieciowo (przewodowego) lub urządzenia zasilanego za pomocą baterii (beprzewodowego).

1 – **Utrzymanie miejsca pracy w czystości** – Brak porządku sprzyja wypadkom

2 – **Przemysłany obszar pracy**

- Nie wystawiać urządzeń na deszcz
- Nie korzystać z narzędzi w miejscach wilgotnych i mokrych
- Miejsce pracy powinno być dobrze oświetlone
- Nie używać narzędzi w obecności cieczy palnych lub gazów

3 – **Ochrona przed porażeniem prądem elektrycznym** – Należy unikać kontaktu elementów uziemionych (jak np. grzejniki, kuchenki, lodówki)

4 – **Ochrona osób postronnych** - Nie wolno pozwolić osobom postronnym zwłaszcza dzieciom, na korzystanie z narzędzia, dotykanie przedłużacza, ani zbliżanie się do miejsca pracy.

5 – **Przechowywanie nieużywanych urządzeń** - Podczas niekorzystania z narzędzi, należy je przechowywać w suchym i bezpiecznym miejscu z dala od dzieci

6 – **Nie przeciążanie urządzeń** – Zaleca się pracę w tempie dla lepszej eksploatacji i bezpieczeństwa pracy narzędzi.

7 – **Korzystanie z odpowiednich narzędzi** – Nie wolno używać drobnych narzędzi do dużych prac, ani używać narzędzi nieprzeznaczonych do danych celów, np. korzystania z piły tarczowej do cięcia gałęzi lub pni

8 – **Odpowiedni ubiór**

- Nie należy zakładać do pracy z elektronarzędziem luźnej odzieży ani biżuterii
- Należy nosić odpowiednie obuwie podczas pracy na zewnątrz.
- Nosić osłonę ochronną na długie włosy

9 – **Korzystanie z środków ochrony** -Należy nosić okulary ochronne -Należy nosić środki ochrony dróg oddechowych

OSTRZEŻENIE: Nie noszenie odpowiednich środków ochrony może spowodować uszkodzenie ciała bądź doprowadzić do urazu.

10 – **Podłączenie system ssącego** - Jeśli narzędzie jest wyposażone w króciec ssący do odsysania pyłu, należy się upewnić, że jest przyłączone i prawidłowo zamocowane do system ssącego

11 – **Nie wolno ciągnąć przewodu zasilającego** – Nigdy nie należy szarpać przewodu zasilającego, w celu odłączenia go od gniazda. Należy utrzymywać go z dala od ciepła, oleju i ostrych krawędzi. Uszkodzony bądź splątany przewód zwiększa ryzyko porażenia prądem.

12 – **Asekuracja** - Kiedy jest to możliwe należy użyć zacisków bądź imadła, zwiększa to komfort i bezpieczeństwo operatora.

13 – **Nie należy się wychylać** – Należy utrzymywać balans i równowagę ciała podczas pracy

14 – **Konserwacja narzędzi**

- Należy utrzymywać narzędzie w czystości i dobrze naostrzone. Zadbane narzędzia tnące z ostrymi krawędziami tnącymi rzadziej się zacinają i łatwiej nimi sterować
- Postępowanie zgodnie z instrukcjami smarowania i wymiany akcesoriów
- Należy systematycznie dokonywać kontroli przewodów zasilających w razie jakichkolwiek uszkodzeń należy je naprawić w autoryzowanym serwisie
- Należy systematycznie dokonywać kontroli przewodów przedłużających i wymienić w razie uszkodzenia
- Należy utrzymywać uchwyty w czystości

OSTRZEŻENIE: Wiele wypadków została spowodowana przez niewłaściwą ich konserwację.

15 – **Odłączanie narzędzie z zasilania** - Podczas niekorzystania z elektronarzędzia, przed oddaniem do naprawy, podczas wymiany akcesoriów, ostrzy i innych oprzyrządzeń zawsze należy odłączyć elektronarzędzie od zasilania.

OSTRZEŻENIE: Korzystanie z akcesoriów i innego wyposażenia niezalecanego przez producenta może spowodować ryzyko powstania obrażeń

16 – **Usunięcie kluczy regulacyjnych** – Przed włączeniem zasilania zawsze należy się upewnić o usunięciu kluczy z urządzenia.

17 – **Unikanie przypadkowego włączenia** - Zawsze należy się upewnić, że przełącznik zasilania jest w pozycji "off" podczas podłączenia do gniazda sieciowego lub włożeniu akumulatora, bądź podczas podnoszenia lub przenoszenia elektronarzędzia

OSTRZEŻENIE: Niezamierzony uruchomienie urządzenia może spowodować poważne obrażenia.

18 – **Używanie przedłużaczy na zewnątrz tylko do tego przeznaczonych** - Podczas korzystania z elektronarzędzia na zewnątrz należy używać przedłużaczy przeznaczonych specjalnie do stosowania na dworze, co zmniejsza ryzyko porażenia prądem

19 – **Zachowanie czujności**

- Należy uważać na to się robi, nie wolno korzystać z elektronarzędzia, gdy jest się zmęczonym
- Nie wolno korzystać z urządzenia będąc pod wpływem środków odurzających bądź leków

OSTRZEŻENIE: Chwila nieuwagi podczas użytkowania elektronarzędzia może spowodować poważne obrażenia ciała.

20 – **Sprawdzanie uszkodzonych części**

- Przed dalszym korzystaniem z urządzenia należy się upewnić o poprawności ich działania
- Należy sprawdzić ustawienie ruchomych części, ich oprawy, pęknięć montażu oraz wszelkich innych warunków, które mogą mieć wpływ na jego działanie
- Osłona lub inne części, które zostały uszkodzone powinny zostać naprawione lub wymienione przez autoryzowany serwis, chyba, że zaznaczono inaczej w niniejszej instrukcji
- Uszkodzone przełączniki należy wymienić w autoryzowanym centrum serwisowym

OSTRZEŻENIE: Nie wolno korzystać z urządzenia, jeśli przełącznik on/off nie działa prawidłowo. Przełącznik musi zostać naprawiony przed dalszym użyciem narzędzia.

21 – **Naprawa urządzenia przez wykwalifikowaną osobę** – Niniejsze elektronarzędzie jest zgodne z odpowiednimi normami i zasadami bezpieczeństwa. Naprawa powinna mieć miejsce tylko u wykwalifikowanej osoby, w przeciwnym razie może to spowodować niebezpieczeństwo podczas użytkowania

OSTRZEŻENIE: Podczas serwisowania należy używać tylko identycznych części zamiennych.

OSTRZEŻENIE: Jeśli przewód zasilający jest uszkodzony musi zostać wymieniony przez producenta lub autoryzowane centrum serwisowe.

22 – **Dopasowane wtyczki zasilające do gniazda sieciowego** - Nigdy nie wolno modyfikować wtyczki w jakikolwiek sposób, ani stosować żadnych przejściówek z uziemieniem (uziemionych elektronarzędzi) . Oryginalne i pasujące wtyczki zmniejszają ryzyko porażenia prądem.

23 – **Podczas korzystania z urządzenia na zewnątrz należy korzystać z wyłącznika różnicoprądowego (RCD)** – Korzystaj z wyłącznika RCD co zmniejszy porażenie prądem

UWAGA: Określenie "wyłącznika RCD" może zostać zastąpione przez termin "obwód doziemny" (GFCI) lub wyłącznik różnicowy (ELCB)

UWAGA: W przypadku korzystania z urządzenia w Australii lub Nowej Zelandii, zalecane jest zasilanie urządzenia TYLKO z wykorzystaniem wyłącznika różnicowoprądowego (RCD) o znamionowym prądzie różnicowym nieprzekraczającym 30 Ma

OSTRZEŻENIA. Przed podłączeniem narzędzia do źródła zasilania (gniazda zasilania wyłącznika sieciowego, sieci itp.) należy upewnić się, że napięcie zasilania jest takie samo, jak podano na tabliczce znamionowej urządzenia. Źródło zasilania o napięciu większym niż napięcie określone dla narzędzia może spowodować poważne obrażenia użytkownika oraz uszkodzenie narzędzia. W przypadku wątpliwości nie podłączać urządzenia do danego źródła zasilania. Korzystanie ze źródła zasilania o napięciu mniejszym niż napięcie określone na tabliczce znamionowej jest szkodliwe dla silnika.

Wtyczki spolaryzowane (dotyczy wyłącznie Ameryki Północnej), aby zmniejszyć ryzyko porażenia prądem, niniejsze urządzenie posiada spolaryzowane wtyczki (jeden bolec jest szerszy od drugiego. Wtyczka będzie pasować do spolaryzowanego gniazda sieciowego, jeśli nie pasuje należy odwrócić wtyczkę, jeśli nadal nie pasuje należy się skontaktować z wykwalifikowanym elektrykiem, aby zainstalować odpowiednie gniazdko, gdyż nie wolno zmieniać wtyczki w jakikolwiek sposób.

Wskazówki dotyczące bezpieczeństwa pracy ze stołowymi pilarkami tarczowymi

OSTRZEŻENIE: ZAWSZE należy nosić osobiste wyposażenie ochronne, w tym do okulary ochronnych, nauszniki przeciwhałasowe, odpowiednią maskę przeciwpyłową oraz rękawice ochronne podczas korzystania z pilarki stołowej. Ponadto należy się upewnić, że wszystkie osoby znajdujące się w pobliżu miejsca pracy muszą posiadać odpowiednie wyposażenie ochronne. Osoby postronne powinny trzymać się w bezpiecznej odległości.

OSTRZEŻENIE: ZAWSZE należy podłączyć system odsysania pyłu do osłony tarczy w pilarcie stołowej. Niektóre gatunki drewna są toksyczne dla mózgu powodować reakcję alergiczną u ludzi i zwierząt, zwłaszcza pod wpływem bardzo drobnego pyłu. Należy, zatem pamiętać, aby ZAWSZE nosić odpowiednią maskę przeciwpyłową w jak i podłączyć systemem odsysania pyłu do urządzenia.

OSTRZEŻENIE: Znamionowa prędkość korzacji tnącej powinna być, co najmniej równa maksymalnej prędkości zaznaczonej na elektronarzędziu. Akcesoria pracujące szybciej niż ich prędkość znamionowa mogą złać się i zostać odrzucone z urządzenia w kawałkach.

- Należy montować wyłącznie pilarki tarczowe, które zostały wymienione jako kompatybilne w 'Danych technicznych' pilarki stołowej. Ponadto, używać wyłącznie kompatybilnych tarczy tnących, a także upewnić się, że klin rozszczepiający nie jest grubszy niż szerszelina ostrza, ale nie cieńszy niż tarcza tnąca.**
- UPEWNIJ SIĘ, że miejsce pracy jest bezpieczne i dostatecznie oświetlone, bez przeszkód, oraz innych elementów, które mogą spowodować upadek i niebezpieczeństwo.**
- NIGDY nie należy próbować ciąć powyższym narzędziem metali lub płyt kartonowo gipsowych, które zawierają beton. Narzędzie zostało zaprojektowane wyłącznie do cięcia drewna i tworzyw drewno podobnych.**
- Nigdy nie należy wykonywać formowania niniejszym urządzeniem. Kompatybilne pilarki tarczowe nie są przeznaczone do tego typu cięcia**
- ZAWSZE należy się upewnić, iż obszar pracy jest odpowiednio wentylowany . Należy regularnie usuwać pył wytworzony podczas pracy, aby zapobiec potencjalnemu roznieceniu pożaru.**
- NIGDY nie należy próbować usuwać dłonią kawałka utkniętego drewna, bądź kurzu/ pyłu, kiedy tarcza nadal się obraca. ZAWSZE należy uprzednio wyłączyć maszynę od zasilania i odczekać, aż tarcza całkowicie się zatrzyma. ZAWSZE korzystaj z rękawic odpornych na przecięcia podczas dotykania tarczy, aby uniknąć obrażeń.**
- NIGDY nie pozostawiaj pilarki pracującej bez nadzoru. Po wyłączeniu maszyny, nie wolno pozostawiać pilarki do momentu, kiedy tarcza całkowicie się zatrzyma**
- DOKŁADNIE przeczytaj instrukcję 'Zapobieganie efektowi odrzutu, i postępuj zgodnie z zaleceniami podczas korzystania z niniejszej pilarki stołowej .**
- ZAWSZE wprowadzaj materiał obróbki w kierunku przeciwnym do kierunku obracania się tarczy tnącej. Kierunek wprowadzania materiału jest wskazany przez strzałkę znajdującą się na powierzchni blatu.**
- ZAWSZE korzystaj z prowadnicy równoległej podczas wykonywania cięć wzdłużnych. Upewnij się, że prowadnica znajduje się równoległe do tarczy tnącej nie może być ustawiona pod kątem w kierunku ostrza, zaś solidnie zablokowana na obu końcach.**
- ZAWSZE solidnie zabezpiecz przedmiot obróbki naprzeciw prowadnicy równoległej, bądź miernika skosu. NIGDY nie należy używać prowadnicy równoległej podczas tego samego procesu, jako miernika skosu.**
- NIGDY nie należy zdejmować osłony tarczy tnącej, bądź klina rozszczepiającego. Kliny rozszczepiające są również znane, jako rozdzielacze.**
- Należy korzystać z popychaczy podczas cięcia wąskich elementów, aby Twoja dłoń podczas pracy nie zbliżała się do tarczy tnącej. Jednakże popychacz musi być zawsze węższy niż obrabiany element, aby zapobiec zetknięcia się popychacza z tarczą tnącą. Zaleca się korzystanie z grzebieni dociskowych oraz bloczków popychających do wykonywania innych cięć. Przechowuj popychacz razem z pilarką, kiedy nie ma potrzeby jego użycia.**
- NIE WOLNO pracować trybem z wolnej ręki, wspierając obrabiany przedmiot wyłącznie rękami. ZAWSZE należy pamiętać u zyciu prowadnicy równoległej celu prawidłowego ustawienia oraz naprowadzania prac.**
- Pod żadnym pozorem, NIGDY nie należy się wychylać nad, bądź pod tarczą na 75 mm (3")**
- ZAWSZE należy przesunąć prowadnicę równoległą, podczas wykonywania cięć poprzecznych. NIGDY nie należy używać prowadnicy jako wskaźnika odcięcia przy cięciu poprzecznych.**
- NIGDY nie należy próbować uwalniać zakleszczonej tarczy z wyłącznikiem znajdującym się w pozycji 'On'. ZAWSZE należy najpierw wyłączyć maszynę i odłączyć od zasilania.**

- r) **ZAWSZE należy wesprzeć duże elementy obróbki zarówno przy wprowadzaniu i wyprowadzaniu materiału, a także boków jeśli to konieczne.** Skorzystaj z podpory rolkowej, bądź koziołków, jeśli to tylko możliwe.
- s) **NIGDY nie należy puszczać przedmiotu obróbki zanim zostanie wsunięty do tarczy tnącej,** skorzystaj z popychaczy jeśli to konieczne.
- t) **UNIKAJ przedmiotów obróbki o nieregularnych kształtach, które nie mają prostych krawędzi.**
- u) **NIE NALEŻY wycinać okrągłych elementów przy użyciu niniejszego urządzenia.** NIE WOLNO korzystać z pilarki do cięcia pni, ani drewna kominkowego.
- v) **Należy unikać nietypowych działań oraz pozycji rąk,** gdyż niespodziewane poślizgnięcie może doprowadzić do zranienia dłoni, bądź innych części ciała, przy zetknięciu z tarczą tnącą.
- w) **Przed każdym użyciem należy sprawdzić płytkę gardłową.** Dokonaj wymiany płytki gardłowej, jeśli została uszkodzona bądź uległa zużyciu.
- x) **Korzystaj wyłącznie z akcesoriów, które zostały wymienione w instrukcji, aby były kompatybilne z pilarką stołową.** Użycie niekompatybilnych akcesoriów, mogłoby być niebezpieczne i doprowadzić do poważnych obrażeń lub uszkodzeń mienia. Należy ZAWSZE postępować zgodnie z instrukcją bezpieczeństwa dołączoną do akcesoriów.
- y) **Przed odłączeniem pilarki stołowej od zasilania należy ZAWSZE uprzednio przełączyć jej wyłącznik na pozycję ‘Off’.** Dzięki temu unikniemy niechcianego uruchomienia urządzenia przy ponownym podłączeniu do zasilania.

Zapobieganie efektowi odrzutu

Uwaga: Odrzut to gwałtowna reakcja narzędzia na zaklinowanie, zablokowanie lub przemieszczenie ostrza piły, powodujące podniesienie i wyrzucenie bezwładnej piły z przedmiotu obróbki w stronę operatora. Może także pociągnąć dłoń użytkownika w stronę tarczy tnącej, powodując poważne obrażenia.

OSTRZEŻENIE: Odrzut jest efektem niewłaściwego użytkowania piły i nie przestrzegania właściwych procedur lub warunków obsługi urządzenia, któremu można zapobiec w następujący sposób:

- a) **ZAWSZE należy korzystać z pilarki wraz z zainstalowanym klinem rozszczepiającym.** NIGDY nie należy zdejmować klina, aby zapobiec przed zamknięciem się rzazu na tarczy.
- b) **NIGDY nie wolno próbować ciąć tarczą, która jest zużyta, bądź wygięta.** ZAWSZE się upewnij, iż tarcza jest kompatybilna z ciętym materiałem.
- c) **ZAWSZE należy pamiętać o równoległym ustawieniu prowadnicy w stosunku do tarczy tnącej.** Prowadnica przechyla się do środka w kierunku tarczy tnącej, obrabiany przedmiot może się stykać z tylną krawędzią ostrza i zostać wyrzucony w kierunku użytkownika w niekontrolowany sposób.
- d) **NIGDY nie należy używać prowadnicy równoległej i miernika kąta poziomego jednocześnie.** Może to doprowadzić do poważnego odrzutu i obrażeń.
- e) **Należy zachować szczególną OSTROŻNOŚĆ podczas cięcia dużych elementów.** Upewnij się, że duże przedmioty zostały odpowiednio zabezpieczone przy wprowadzaniu i wyprowadzaniu materiału.
- f) **NIE WOLNO ciąć okrągłych elementów, które nie mogą płasko leżeć na blacie.** Unikaj obrabiania skręconego, zniekształconego, bądź sękatego drewna.
- g) **NIE WOLNO ciąć mokrego drewna, gdyż powoduje ono większe tarcie dla tarczy.** Mokry pył, może się zbierać na tarczy, zwiększając prawdopodobieństwo odrzutu.
- h) **ZAWSZE należy zachować solidny uchwyt na obrabianym przedmiocie obiema rękoma, ustawiając swoje ramiona w taki sposób, aby przeciwdziałać odrzutowi.**
- i) **Ustaw się z dala od tarczy tnącej, najlepiej po drugiej stronie tarczy, jednakże nie stojąc równo w linii z tarczą.**
- j) **NIE WOLNO wycyfować elementu obróbki podczas cięcia.** Jeśli musisz niespodziewanie zaprzestać pracę, należy najpierw wyłączyć pilarkę, a następnie wyjąć przedmiot z tarczy tnącej, po tym jak całkowicie się zatrzyma.
- k) **ZAPOBIEGAJ przed opadnięciem obrabianego materiału na tarczę.** Nie wolno wykonywać cięć wgłębnych niniejszą pilarką.
- l) **ZAWSZE korzystaj z popychaczy bądź innych elementów w celu naprowadzenia materiału.** Skorzystaj z grzebieni dociskowych do przytrzymania przedmiotu obróbki, kiedy tylko to jest możliwe.

Przedstawienie produktu

1. Wtyczka główna
2. Tarcza tnąca
3. Osłona tarczy
4. Przyłącze do odsysania pyłu
5. Wkręty do mocowania osłony
6. Klin rozszczepiający
7. Wkręty blokujące klin rozszczepiający
8. Zaślepka dostępu do szcotek
9. Przyłącze do odsysania pyłu
10. Szpula poziomiująca moduł
11. Rolki modułu
12. Panel zsypu pyłu
13. Pokrętko regulacji wysokości tarczy
14. Regulacja kąta skosu
15. Wkręt cięcia pod kątem 45°
16. Wkręt cięcia pod kątem 0°
17. Miara kąta skosu
18. Wkręt kalibracji kąta
19. Dźwignia blokady
20. Otwór na kciuki
21. Szczelina na dłoń
22. Otwór dostępu do płytki prowadzącej
23. Wkręty szpulowe poziomiujące moduł
24. Wkręt poziomiujący płytkę prowadzącą
25. Płytkę prowadzącą
26. Płytkę dostępu
27. Pokrętko wyrównujące boki
28. Wkręt poziomiujący moduł
29. Powierzchnia modułu

30. Uchwyt wrzeciona
31. Śruba zabezpieczająca tarczę
32. Wrzeciono
33. Kołnierz tarczy
34. Pokrętko zabezpieczające
35. Wkręt regulacyjny klina rozszczepiającego
36. Płytkę montażowa
37. Wkręt mocujący
38. Popychacz
39. Narzędzie wielofunkcyjna 1
40. Narzędzie wielofunkcyjne 2
41. Kątomierz
42. Pokrętko blokady stołu
43. Regulowana przednia prowadnica
44. Wspornik
45. Prowadnica kątowna 45°
46. Szczelina kątowna
47. Podziałka
48. Wizjer kątowy
49. Tor
50. Pokrętko regulacji kąta
51. Prowadnica równoległa
52. Ramiona prowadnicy równoległej

Zastosowanie zgodne z przeznaczeniem

Efektowna pilarka stołowa, wykonująca cięcia ukośne, pod kątem, poprzeczne oraz złożone. With anti-kickback device. W komplecie z kątomierzem oraz prowadnicą równoległą. Przeznaczona wyłącznie do cięcia drewna oraz podobnych materiałów. Do zastosowania z Triton stołem Workcentre TWX7 oraz jego akcesoriom.

Rozpakowanie narzędzia

- Ostrożnie rozpakuj i sprawdź narzędzie. Zapoznaj się ze wszystkimi mechanizmami i funkcjami.
- Upewnij się, że narzędzie zawiera wszystkie części i są one w dobrym stanie. Jeśli brakuje pewnych części lub są one uszkodzone, należy uzupełnić lub wymienić je przed rozpoczęciem korzystania z narzędzia.

WAŻNE: Przeczytaj niniejszą instrukcję wraz z instrukcją dołączoną do stołu Triton.

Instrukcja video dostępna na stronie www.tritontools.com

Przygotowanie do eksploatacji

OSTRZEŻENIE: Upewnij się, że urządzenie jest wyłączone i odłączone od zasilania przed podłączeniem jakichkolwiek akcesoriów, instalacją i deinstalacją modułu, bądź dokonywaniem innych regulacji.

OSTRZEŻENIE: ZAWSZE należy nosić rękawice odporne na przecięcia podczas pracy z powyższym urządzeniem. Nie zastosowanie się do tych zaleceń może doprowadzić do zranienia operatora.

Instalacja wkrętów poziomiujących modułu

- Umieść moduł pilarki stołowej na bezpiecznej i płaskiej powierzchni, a następnie zamontuj poziomiujące moduł wkręty szpulowe (23), wkręty poziomiujące moduł (28) oraz rolki modułu (11) jak przedstawiono na Rys. A

Instalacja i zdejmowanie modułu

OSTRZEŻENIE: Podczas przenoszenia modułu pilarki stołowej należy korzystać ze szczeliny (21).

Uwaga: W związku instalacją/zdejmowaniem modułu pilarki stołowej, tarcza tnąca (2) musi się znajdować w pozycji 45°. Patrz 'Regulacja tarczy tnącej' w celu otrzymania bardziej szczegółowych informacji dotyczących zmiany kąta tarczy.

Instalacja modułu:

OSTRZEŻENIE: Obniż (2) tarczę tnącą na bezpieczną wysokość, przed zainstalowaniem, bądź zdjęciem modułu.

OSTRZEŻENIE: Niektóre moduły są bardzo ciężkie, zwłaszcza te z zainstalowanym elektronarzędziem. Należy, zatem ZAWSZE chwycić moduł za szczeliny (21), upewniając się uprzednio o zajęciu prawidłowej postawy. Unikaj nagłych ruchów podczas instalacji i zdejmowania modułu.

WAŻNE: Zawsze należy ostrożnie wprowadzać moduł korzystając z otworów na kciuki (20). Niekontrolowane obniżanie może doprowadzić, do uszkodzenia Workcentre, modułu, jaki i elektronarzędzia.

OSTRZEŻENIE: Nie wolno wkładać palców i/lub innych części ciała pomiędzy moduł, a podstawę Workcentre. Patrz Rys. B

- Wsuń rolki modułu (11) w szczeliny i ostrożnie obniż moduł, Patrz Rys. B
- Przelącz blokadę modułu na zablokowaną pozycję, Rys. C

Uwaga: Upewnij się, że wkręty szpulowe (23), zostały poprawnie umieszczone. Wkręty poziomiujące moduł (28) zaś, muszą zostać wyregulowane w celu zlikwidowania luzu znajdującego się pomiędzy modulem a Workcentre.

Zdejmowanie modułu:

- Przelącz blokadę modułu na pozycję odblokowania. Podnieś moduł z Workcentre korzystając z otworów na palce i przesuń rolki (11) z toru montażowego, patrz Rys. B

Poziomowanie modułu

- Dokonaj wypoziomowania modułu poprzez regulację wkrętów szpulowych (23) oraz wkrętów poziomiujących (28) w kolejności wskazanej na Rys. D
- Sprawdź czy moduł został wypoziomowany z powierzchnią blatu korzystając z prostego liniału, jak przedstawiono na Rys. E. Jeśli moduł nie jest wypoziomowany, należy powtórzyć opisany wcześniej proces.

Montaż modułu pilarki stołowej

- Spójrz na rysunki A – L w celu uzyskania informacji potrzebnych do pilarki stołowej do modułu.

Instalacja klina rozszczepiającego

OSTRZEŻENIE: Upewnij się, że klin rozszczepiający (6) został prawidłowo umieszczony przed rozpoczęciem użycia.

1. Z tarczą tnącą (2) w pozycji 0°, podnieś ją na jej maksymalną wysokość przy użyciu pokrętła regulacji wysokości tarczy (13)
2. Poluzuj wkrety sześciokątne zlokalizowane na końcu płytki prowadzącej (25), ze strony wprowadzania materiału i użyj otworów dostępu do płytki prowadzącej (22) w celu jej uwolnienia, Rys. F
3. Wsuń klin rozszczepiający (6) w uchwyt mocujący i przymocuj pokrętło zabezpieczające (34) Rys. G

Poziomowanie płytki prowadzącej

OSTRZEŻENIE: Upewnij się, że płytka prowadząca (25) została prawidłowo umieszczona i wypoziomowana przed rozpoczęciem użycia.

1. Dokonaj wypoziomowania płytki korzystając z wkrętów poziomujących płytkę prowadzącą (24)
2. Sprawdź czy płytka została prawidłowo wypoziomowana, korzystając z prostej linijki opartej o powierzchnie modułu. Jeśli płytka nadal pozostaje nierówna, należy powtórzyć wcześniej opisane czynności.

Regulacja tarczy

- Aby dokonać regulacji kąta skosu tarczy tnącej, należy (2):

1. Odblokować dźwignię blokady (19)

2. Obrócić regulator kąta skosu (14) w celu zmiany kąta tarczy

3. Użyć miary kąta skosu (17) aby sprawdzić kąt tarczy

- Dostosuj wysokość tarczy tnącej poprzez obrócenie pokrętła regulacji wysokości tarczy (13):

- W prawo, aby podnieść tarczę

- W lewo, aby obniżyć tarczę tnącą

Kalibracja tarczy tnącej

Uwaga: Należy odnieść się do Rys. H, w celu skalibrowania tarczy tnącej (2).

1. Przy użyciu pokrętła regulacji wysokości tarczy (13) należy ją podnieść na jej maksymalną wysokość
2. Korzystając z regulacji kąta skosu (14) dostosuj tarczę tnącą, tak, aby była prostopadła do powierzchni stołu
3. Umieść kątowniki (brak w zestawie) płasko na przeciw powierzchni blatu i tarczy tnącej
4. Poluzuj wkręt przycinania pod kątem 0° (16)
5. Dostosuj kąt tarczy, tak, aby był ustawiony równolegle względem kątowników
6. Poluzuj wkrety kalibracji kąta (18) i ustaw czerwone pokrętło na '0' miarce kąta skosu (17)
7. Zablokuj tarczę przy użyciu dźwigni blokady (19)
8. Przykręć wkręt 0° (16)
9. Poluzuj wkręt 45° (15)
10. Przesuń tarczę na pozycję 45°
11. Przykręć wkręt 45° i sprawdź czy 45° jest pokazane na miarce kąta skosu. Jeśli taka informacja nie jest wskazana na skali po przykręceniu wkrętu cięcia na 45°, należy powtórzyć kroki od 9 do 11

Wyrównanie klina rozszczepiającego

1. Z tarczą tnącą (2) będącą na pozycji 0°, unieś ją na jej maksymalną wysokość przy użyciu pokrętła regulacji wysokości tarczy (13)
2. Odkręć wkrety sześciokątne umieszczone na płytce prowadzącej (25), ze strony wprowadzania materiału, następnie skorzystaj z otworu dostępu do płytki (22) w celu jej uwolnienia, Rys. F
3. Odkręć wkręt regulacyjny klina rozszczepiającego (35) oraz wkrety blokujące klin rozszczepiający (7)
4. Umieść dwie proste krawędzie np. linijkę, na przeciw obu stron tarczy tnącej boków oraz klina rozszczepiającego
5. Zdejmij proste krawędzie i przykręć wkręt regulujący klin rozszczepiający, a następnie wkrety blokujące klin
6. Sprawdź, czy klin jest wyrównany z tarczą tnącą. Jeśli nie, należy powtórzyć kroki od 3 do 5 do momentu wyrównania klina rozszczepiającego z tarczą
7. Zamontuj ponownie płytkę prowadzącą, kiedy już klin zostanie wyrównany

Prowadnica równoległa

- Rozwinąć ramioną prowadnicę (52) i wsuń w rowki prowadnicy na stole Workcentre, Rys. I
- Ramioną prowadnicy przedstawiają skalę podziałki. W połączeniu ze wskaźnikiem pozycji prowadnicy, szczegółowym wskaźnikiem szerokości, dokładna szerokość pomiaru może zostać zdeteminowana

Kątomierz

- Poluzuj pokrętła blokady stołu (42) i wsuń tor (49) wewnątrz szczeliny - T na stole Workcenter, Rys. J
- Przykręć pokrętła blokady stołu, aby zabezpieczyć kątomierz (41)
- Regulacji kąta można dokonać, poprzez odblokowanie pokrętła regulacji kąta (50) i przekręcenia kątomierza na żądany kąt
- Kąt zostanie pokazany na wizjerze kątowym (48)
- Dostosuj regulację przedniej prowadnicy (43) poprzez odkręcenie dwóch śrubek sześciokątnych, w celu dostosowania różnorodnego rozmiaru obrabianego przedmiotu
- Obróć kątomierz dookoła i ustaw na kat 0°, w celu użycia prowadnicy kątowej 45°(45) do wykonania dokładnego cięcia o kącie 45°

Ekstrakcja pyłu

OSTRZEŻENIE: Użyj odpowiedniego odkurzacza, bądź warsztatowego systemu odsysania pyłu.

OSTRZEŻENIE: Pył z naturalnego drewna, bądź powłok oraz kompozytów drewnianych może zawierać toksyczne substancje. Należy, zatem ZAWSZE utylizować takie pył zgodnie z zaleceniami obowiązującymi w danym kraju.

- O ile odsysanie pyłu, zostanie osiągnięte już po skorzystaniu ze zwykłego odkurzacza, domowe urządzenia (na wymienne worki) zostają bardzo szybko wypełniane. Dla dłuższej pracy i większej pojemności, zalecamy rozważyć zamontowanie Pojemnika na pył i strużyny Triton (DCA300) do twojego odkurzacza
- Połączone obciążenie elektryczne pilarki i odkurzacza może przekroczyć znamionowy prąd w przedłużaczu lub gniazdku. Zawsze należy podłączyć odkurzacz i pilarkę do oddzielnych gniazd elektrycznych i włączyć oba urządzenia oddzielnie

Podłączenie do zasilania elektrycznego

Uwaga: Workcentre posiada główny wyłącznik zasilania wraz z gniazdem elektrycznym (18), aby

umożliwić łatwe podłączenie elektronarzędzi, Rys. K

- Podłącz Workcentre do głównego zasilania poprzez wtyczkę zasilającą

Użyj wtyczki, aby podłączyć elektronarzędzie do zasilania

1. Wtyczka elektronarzędzia musi być podłączona do gniazda Workcentre
2. W razie konieczności istnieje możliwość zastosowania przedłużacza do wydłużenia własnego przewodu zasilania Workcentre

OSTRZEŻENIE: Należy stosować przedłużacze będące wyłącznie w dobrym stanie, o wystarczającym przekroju poprzecznym przewodu do prowadzenia wymaganej mocy. Zbyt małe przedłużacze spowodują spadek napięcia w sieci, a tym samym spadek mocy, przegrzaniem i spalaniem jednostek motorycznych.

Obsługa

OSTRZEŻENIE: ZAWSZE należy nosić odpowiednie wyposażenie ochronne oczu, odpowiednią maskę przeciwpyłową, nauszniki przeciwhałasowe, jak również rękawice ochronne podczas obsługi powyższego narzędzia.

WAŻNE: Moduł pilarki stołowej posiada zaznaczoną na blacie strzałkę wprowadzania materiału – wskazuje ona na bezpieczny i prawidłowy kierunek pracy.

OSTRZEŻENIE: Nie należy przeważać stołu Workcentre, poprzez przycinanie zbyt dużych elementów.

OSTRZEŻENIE: Upewnij się, że płytka prowadząca (25) została poprawnie zamontowana i wypoziomowana.

Uwaga: Należy zasięgnąć oryginalnej instrukcji stołu I TWX7 Workcentre w celu otrzymania pełnej informacji i diagramów, które odnoszą się do poszczególnych elementów Workcentre.

Obsługa włącznika Workcentre

WAŻNE: Włącznik Workcentre wymaga podłączenia do zasilania głównego, w celu uruchomienia urządzenia. Automatyycznie zostanie wyłączony, jak tylko zasilanie zostanie odłączone i będzie wymagało ponownego przełączenia na ON po przywróceniu zasilania i kontynuowania pracy.

Włączanie i wyłączanie

1. Włącznik Workcentre ON/OFF znajduje się z przodu, Rys. K
2. Podłącz przewód główny do zasilania w gnieździe ściennym
3. Przełącz włącznik Workcentre ON/OFF na pozycję 'O' poprzez naciśnięcie na awaryjną klawę zatrzymania
4. Włącz elektronarzędzie poprzez wciśnięcie przełącznika ON/OFF na pozycję 'I'
5. Włącz Workcentre ON/OFF na pozycję 'I' aby uruchomić urządzenie

- Wciśnij awaryjną klawę zatrzymania, aby wyłączyć urządzenie

Uwaga: Jeśli zasilanie zostanie przerwane podczas użytkowania, maszyna nie zrestartuje się sama. Należy, zatem aktywować ponownie włącznik ON/OFF, aby rozpocząć pracę na nowo.

Pozycja użytkownika oraz kierunek wprowadzania materiału

- Pozycja użytkownika jest zdefiniowana poprzez lokalizację wyłącznika sterowanego kolanem
- ZAWSZE należy pozostać w bliskim sąsiedztwie włącznika, by móc natychmiastowo wyłączyć maszynę w przypadku nagłego wypadku
- Obrabiany przedmiot należy wprowadzać zgodnie z kierunkiem wskazanym przez strzałkę na powierzchni modułu (29)

Korzystanie z przedłużeń stołu (dostępne, jako akcesoria)

- Opcjonalna Workcentre Podpora zewnętrzna (TWX7OS) oraz Podpora boczna (TWX7SS) mogą być dostosowane w celu zapewnienia mocnego wsparcia dla większych elementów obróbki. Regulacja może być wykonana poprzez poluzowanie pokręteł wsparcia i/bądź bocznych pokręteł, a następnie wysunięcie wsporników na wielkość obrabianego przedmiotu.

Regulacja kątomierza

Uwaga: W celu zwiększenia długości eksploatacji kątomierza (41) zaleca się przymocowanie zbędnego kawałka drewna do prowadnicy.

1. Z kątomierzem znajdującym się w szczelinie T, należy poluzować pokrętła blokady stołu (42) oraz pokrętło regulacji kąta (50)
2. Dostosuj kąt kątomierza, kąt będzie widoczny w wizjerze (48)
3. Zablokuj dokładnie pokrętło regulacji kąta, podczas gdy pokrętło blokujące stół powinno być zakręcone do oporu, aby zabezpieczyć kątomierz w szczelinie T

- Alternatywnie, jeśli kąt 45° jest wymagany:

1. Zdejmij kątomierz i zainstaluj regulowaną przednią prowadnicę (43)
2. Upewnij się, że 0° jest przedstawione na wizjerze kątowym, po czym zablokuj pokrętło regulacji kąta
3. Użyj prowadnicy kątowej 45° (45) aby zabezpieczyć obrabiany przedmiot

Korzystanie z popychaczy

OSTRZEŻENIE: Wykonywanie, więc cięć na drobnych materiałach obróbki, może być niebezpieczne, dlatego też wymaga się zastosowania popychaczy.

- Popychacz (38) znajduje się w komplecie tego urządzenia. Jednakże może okazać się konieczne użycie więcej niż jednego popychacza do bezpiecznej pracy
- Podczas obrabiania elementów o małej średnicy, należy użyć większej ilości popychaczy w celu zabezpieczenia materiału obróbki, który znajduje się w bliskiej odległości od tarczy tnącej (2)

Cięcie

OSTRZEŻENIE: NIGDY nie należy manipulować częściami, które znajdują się blisko tarczy tnącej (2), kiedy jest ona w ruchu, bądź, kiedy włącznik znajduje się w pozycji ON. Nie dostosowanie się do zaleceń, może doprowadzić do wyrzucenia materiału obróbki z maszyny, a tym samym doprowadzić do zranienia operatora.

OSTRZEŻENIE: Trzymaj obydwie ręce z dala od tarczy tnącej oraz ścieżki tnącej przez cały czas.

OSTRZEŻENIE: NIGDY nie należy ciągnąć materiału obróbki z powrotem, kiedy rozpoczął się proces cięcia; wyłącz maszynę i odczekaj, aż tarcza zatrzyma się przed wyciągnięciem częściowego wyciętego elementu.

OSTRZEŻENIE: Podczas cięcia dużych elementów, które są większe od szerokości i/bądź długości powierzchni stołu Workcentre, należy stosować dodatkowe wsparcie korzystając (opcjonalnie) z Podpory zewnętrznej (TWX7OS) i/bądź Podpory bocznej (TWX7SS), które są dostępne u Twojego dystrybutora Triton.

OSTRZEŻENIE: Upewnij się, że Workcentre jest ustawiony na stabilnej i płaskiej powierzchni. Przed rozpoczęciem korzystania z Workcentre, ZAWSZE należy się upewnić, że przyjęliśmy stabilną postawę. Korzystanie z Workcentre na nierównym terenie jest niebezpieczne i może doprowadzić do poważnych obrażeń operatora.

Wykonywanie cięć poprzecznych

OSTRZEŻENIE: Aby uniknąć wyrzucenia odciętego elementu, należy unikać obrabiania elementu wyłącznie przy użyciu prowadnicy równoległej (51). Użyj kątomierza (41) do wsparcia materiału podczas cięcia.

- Jeśli materiał obróbki nie odpowiada maksymalnym wymiarom określonym w 'Danych technicznych', należy dostosować strukturę wsporników do obrabianego przedmiotu
1. Ustaw prowadnicę równoległą z dala od ścieżki cięcia materiału. Dostosuj kątomierz (41) na żądany kąt i zablokuj
 2. Dokonaj ustawienia tarczy tnącej, tak, aby jej najwyższy punkt znajdował się około 3,2 mm wyżej niż obrabiany element
 3. Chwyć pewnie materiał obróbki opierając o kątomierz, ręką znajdującą się najbliżej tarczy, zaś drugą ustaw na przedmiocie obróbki, jak najdalej od tarczy
 4. Włącz pilarkę i pozwól tarczy, aby osiągnęła swoją prędkość pracy
 5. Podczas używania rąk do wspierania materiału, jak opisano w punkcie 3, powoli wprowadzaj materiał w kierunku tarczy tnącej

Uwaga: Przed usunięciem odciętego materiału, wyłącz pilarkę i odczekaj aż tarcza całkowicie się zatrzyma.

Wykonywanie cięć ukośnych

Jeśli materiał obróbki nie odpowiada maksymalnym wymiarom określonym w 'Danych technicznych', należy dostosować strukturę wsporników do obrabianego przedmiotu

1. Dostosuj kątomierz (41) na żądany kąt. W celu uzyskania informacji dotyczących regulacji i kalibracji kątomierza, należy odnieść się do rozdziału: 'Regulacja kątomierz'
2. Patrz podrozdział 'Wykonywanie cięć poprzecznych' w celu uzyskania informacji dotyczących cięcia

Wykonywanie cięć wzdłużnych

OSTRZEŻENIE: Upewnij się, że prowadnica równoległa (51) jest używana do cięć wzdłużnych (wykonywanie cięć wzdłużnych z wolnej ręki jest niebezpieczne). **ZAWSZE** należy dokonać sprawdzenia poprawnego zablokowania prowadnicy, przed rozpoczęciem pracy.

OSTRZEŻENIE: Podczas wykonywania cięć wzdłużnych, bądź, jeśli to tylko możliwe, trzymaj rękę z dala od tarczy tnącej (2) i korzystaj z popychaczy (38) w celu wprowadzania materiału, jeśli między prowadnicą, a tarczą tnącą jest mniejsza odległość niż 152 mm.

OSTRZEŻENIE: NIGDY nie należy ciągnąć materiału obróbki z powrotem, kiedy rozpoczął się proces cięcia; wyłącz maszynę i odczekaj, aż tarcza zatrzyma się przed wyciągnięciem częściowo wyciętego elementu.

- Jeśli materiał obróbki nie odpowiada maksymalnym wymiarom określonym w 'Danych technicznych', należy dostosować strukturę wsporników do obrabianego przedmiotu
1. Dostosuj i zablokuj prowadnicę równoległą poprzez zamknięcie zacisków prowadnicy
 2. Zdejmij kątomierz (41)
 3. Ustaw tarczę, aby jej najwyższy punkt był 3,2 mm wyżej od góry materiału obróbki
 4. Trzymaj materiał płasko na stole opierając o prowadnicę równoległą. Utrzymuj przedmiot przynajmniej 25 mm z dala od tarczy tnącej
 5. Włącz pilarkę i pozwól tarczy, aby osiągnęła swoją prędkość pracy
 6. Podczas trzymania przedmiotu obróbki naprzeciw prowadnicy i płasko na stole, powoli wprowadzaj materiał w stronę tarczy. Utrzymuj ten sam nacisk dopóki cały element nie przejdzie przez tarczę tnącą. Korzystaj z popychaczy (38) w celu kontynuacji prowadzania materiału, kiedy odstęp między tarczą stanie się mniejszy niż 150 mm

Wykonywanie cięć wzdłużnych pod kątem

OSTRZEŻENIE: Podczas wykonywania cięć wzdłużnych pod kątem, należy zawsze się upewnić, iż prowadnica równoległa (51) znajduje się po prawej stronie tarczy (2). Tarcza tnąca nigdy nie powinna być ustawiona pod kątem względem prowadnicy równoległej.

Uwaga: Niniejsza procedura przebiega dokładnie tak samo jak opisano w podrozdziale 'Wykonywanie cięć wzdłużnych' prócz tego, że tarcza jest ustawiona na wartość inną niż '0°'.

Jeśli materiał obróbki nie odpowiada maksymalnym wymiarom określonym w 'Danych technicznych', należy dostosować strukturę wsporników do obrabianego przedmiotu

1. Odblokuj dźwignię blokady (19) i dostosuj kąt tarczy tnącej (1) przy pomocy regulacji kąta skosu (14)
2. Kiedy żądany kąt zostanie ustawiony, należy zablokować tarczę przy użyciu dźwigni blokady
3. Postępuj zgodnie z instrukcjami opisanymi w podrozdziale 'Wykonywanie cięć wzdłużnych'

Wykonywanie cięć poprzecznych pod kątem

Uwaga: Niniejsza procedura przebiega dokładnie tak samo jak opisano w podrozdziale 'Wykonywanie cięć poprzecznych' prócz tego, że tarcza tnąca jest ustawiona na wartość inną niż '0°'.

- Jeśli materiał obróbki nie odpowiada maksymalnym wymiarom określonym w 'Danych technicznych', należy dostosować strukturę wsporników do obrabianego przedmiotu
1. Odblokuj dźwignię blokady (19) dostosuj kąt tarczy tnącej (1) przy pomocy regulacji kąta skosu (14)
 2. Kiedy żądany kąt zostanie ustawiony, należy tarczę zablokować przy użyciu dźwigni blokady
 3. Postępuj zgodnie z instrukcjami opisanymi w podrozdziale 'Wykonywanie cięć poprzecznych'

Akcesoria

- Szeroki zakres akcesoriów, w tym Zestaw transportowy(TWX7RTK), Podpora boczna (TWX7SS) oraz Podpora zewnętrzna (TWX7OS) jest dostępny w sprzedaży u dystrybutora marki Triton Zakup części zamiennych jest dostępny na stronie internetowej toolsparesonline.com.

Konserwacja

OSTRZEŻENIE: Przed przeprowadzeniem kontroli, czynności konserwacyjnych lub czyszczenia zawsze odłączaj urządzenie Workcentre od źródła zasilania.

OSTRZEŻENIE: ZAWSZE noś środki ochrony osobistej, w tym środki ochrony oczu oraz rękawice odporne na przecięcia.

OSTRZEŻENIE: ZAWSZE należy nosić rękawice odporne na przecięcia, podczas dotykania tarczy tnącej (2). Nie zastosowanie się do tych zaleceń może doprowadzić do zranienia operatora.

Wymiana tarczy tnącej

OSTRZEŻENIE: Prędkość znamionowa tarczy tnącej musi być przynajmniej równa maksymalnej prędkości zaznaczonej na elektronarzędziu. Akcesoria pracujące z prędkością szybszą niż ich prędkość znamionowa mogą doznać uszkodzeń, zostać złamane i odrzucone.

1. Odczep osłonę tarczy tnącej(3) od klina rozszczepiającego (6) poprzez odkręcenie wkrętów zabezpieczających klin
2. Poluzuj wkręty sześciokątne znajdujące się na płycie prowadzącej (25) od strony wprowadzania materiału i użyj otworów dostępu do płytki w celu jej uwolnienia, Rys. F
3. Z blokada dźwigni (19) będącą w pozycji odblokowani, podnieś wrzeciono (32) na jego

maksymalna wysokość poprzez obrócenie w prawo pokrętła regulacji wysokości tarczy (13)

4. Zablokuj pokrętło regulacji wysokości tarczy przy użyciu dźwigni blokady
 5. Zdejmij stara tarczę tnącą (2) poprzez przytrzymanie uchwytu wrzeciona (30) przy pomocy wielofunkcyjnego narzędzia 1 (39), przy jednoczesnym odkręcaniu śruby zabezpieczającej tarczę (31) przy użyciu narzędzia wielofunkcyjnego 2 (40)
 6. Zamontuj dwie połowki kołnierza (33) na nowej tarczy, po czym zamontuj resztę części na wrzecionie , Rys. L
- Uwaga:** Upewnij się, że tarcza tnąca została zamontowana z poprawnym położeniem. Kierunek tarczy jest zlokalizowany na tarczy i powinien pasować do kierunku strzałki wskazanej na osłonie tarczy.
7. Przymocuj nową tarczę tnącą poprzez przymocowanie uchwytu wrzeciona przy pomocy narzędzia wielofunkcyjnego 1 i jednoczesnym przykręcaniu śruby zabezpieczającej tarczą tnącą przy użyciu narzędzia wielofunkcyjnego 2
 8. Zamotuj ponownie płytkę prowadzącą oraz osłonę tarczy

Wymiana płytki prowadzącej

OSTRZEŻENIE: Jeśli moduł pilarki stołowej podlega ciągłej eksploatacji, płytka prowadząca może ulec uszkodzeniu. Ponieważ musi ona pozostać w dobrym stanie technicznym, należy ją wymienić.

1. Odczep osłonę tarczy tnącej(3) od klina rozszczepiającego (6) poprzez odkręcenie wkrętów zabezpieczających klin
2. Poluzuj wkręty sześciokątne znajdujące się na płycie prowadzącej (25) od strony wprowadzania materiału i użyj otworów dostępu do płytki w celu jej uwolnienia, Rys. F
3. Zainstaluj nową płytkę prowadzącą i/bądź płytkę dodatkową
4. Wypoziomuj płytkę prowadzącą, patrz podrozdział 'Poziomowanie płytki prowadzącej' w celu uzyskania szczegółowych informacji
5. Ponownie przymocuj osłonę tarczy

Czyszczenie

- Utrzymuj maszynę w czystości przez cały czas brud i kurz powodują szybsze zużycie elementów wewnętrznych i skracają okres eksploatacji urządzenia.
- Należy oczyścić korpus urządzenia miękką szcztotką lub suchą ściereką.
- Do czyszczenia elementów plastikowych nie należy używać środków żrących. Jeśli czyszczenie na sucho nie przynosi wystarczających efektów, zalecane jest użycie wilgotnej szmatki i łagodnego detergentu.
- Nie wolno dopuszczać do kontaktu urządzenia z wodą.
- Upewnij się, że urządzenie jest całkowicie suche przed ponownym włączeniem.
- Jeśli to możliwe, przedmuchać otwory wentylacyjne czystym powietrzem sprężonym (w stosownych przypadkach).

Usuwanie blokad spowodowanej zanieczyszczeniami

1. Wyłącz urządzenie i odłącz od zasilania. Odczep osłonę tarczy tnącej(3) od klina rozszczepiającego (6) poprzez odkręcenie wkrętów zabezpieczających klin
2. Poluzuj wkręty sześciokątne znajdujące się na płycie prowadzącej (25) od strony wprowadzania materiału i użyj otworów dostępu do płytki w celu jej uwolnienia, Rys. F
3. Zdejmij panel zsypu pyłu (12) oraz jakiegokolwiek podłączenie do odkurzacza do przyłącza do odsysania pyłu (9)
4. Zlokalizuj i wyczyść blokadę
5. Zamontuj ponownie osłonę tarczy, płytkę prowadzącą, panel zsypu pyłu oraz podłączenie do odkurzacza, jeśli tylko blokada zostanie usunięta.

Smarowanie

- Należy regularnie smarować wszystkie ruchome części urządzenia niewielką ilością środka smarnego w sprayu PTFE, zwłaszcza po intensywnym użyciu, bądź czyszczeniu.

OSTRZEŻENIE: NIE WOLNO stosować do smarowania oleju na bazie siłikonu. Pozostałości smaru w połączeniu z drewnem i pyłem, prowadzą do nagromadzenia się brudu, który może zakłócać mechanizm urządzenia oraz innych ruchomych części. Dlatego też, zaleca się stosowanie smarów typu PTFE.

Przechowywanie

Należy przechowywać narzędzie w bezpiecznym, suchym miejscu niedostępnym dla dzieci.

Utylizacja

Należy zawsze przestrzegać przepisów krajowych dotyczących utylizacji elektronarzędzi, które nie są już funkcjonalne i nie nadają się do naprawy.

- Nie wyrzucaj elektronarzędzi lub innych odpadów elektrycznych i elektronicznych (WEEE) wraz z odpadami komunalnymi.
- Skontaktuj się z władzami lokalnymi zajmującymi się utylizacją odpadów, aby uzyskać informacje na temat prawidłowego sposobu utylizacji elektronarzędzi

Rozwiązywanie problemów

Problem	Możliwa przyczyna	Rozwiązanie
Brak reakcji po uruchomieniu włącznika On/Off	Brak zasilania	Sprawdź zasilanie
	Uszkodzony włącznik On/Off	Wymień włącznik w autoryzowanym serwisie Triton
Kiepska jakość cięcia	Uszkodzona tarcza	Należy wymienić tarczę tnącą, w celu uzyskania wskazań, patrz podrozdział 'Wymiana tarczy tnącej'
Cięcie profili jest niezgodne z wymiarami	Wsparcie kątomierza (41) bądź prowadnicy równoległej (51) nieprawidłowo zamontowane	Zamontuj ponownie wsparcie prowadnicy i upewnij się, że nie przesuwają się, podczas stosowania nacisku
	Trzcza tnąca (2) nieprawidłowo skalibrowana	Skalibruj tarczę tnącą korzystając z metody opisanej w podrozdziale 'Kalibracja tarczy'
	Kawałek drewna na kątomierzu (41) nie gwarantuje już odpowiedniego wsparcia	Dokonaj wymiany kawałka drewna

Gwarancja

W celu rejestracji gwarancji odwiedź naszą stronę internetową www.tritontools.com* i podaj odpowiednie dane.

Dane zostaną dodane do naszej listy wysyłkowej (chyba, że wskazano inaczej) w celu przesyłania informacji dotyczących przyszłych produktów. Dostarczone dane nie zostaną udostępnione osobom trzecim.

Protokół zakupu

Data zakupu: ___ / ___ / ___

Model: TWX7CS001

Należy zachować paragon jako dowód zakupu

Deklaracja Zgodności WE

Niżej podpisany: Mr Darrell Morris

upoważniony przez: Triton

Oświadcza, że

Kod identyfikacyjny: TWX7CS001

Opis: Moduł pilarki stołowej

Produkt jest zgodny z następującymi dyrektywami oraz normami:

- Dyrektywa maszynowa 2006/42/EC
- Dyrektywa kompatybilności elektromagnetycznej 2014/30/EC
- Dyrektywa RoHS 2011/65/EU
- EN61029-1:2009+A11:2010
- EN61029-2:2012
- EN55014-1:2006+A1:2009+A2:2011
- EN55014-2:1997+A1:2001+A2:2008
- EN61000-3-2:2014
- EN61000-3-3:2013

Precyzyjne Elektronarzędzia Triton gwarantują nabywcy tego produktu pewność, iż w razie usterki bądź uszkodzenia z powodu wad materiałowych lub jakości wykonania, w ciągu 3 lat od daty zakupu, firma Triton naprawi bądź według własnego uznania bezpłatnie wymieni uszkodzoną część.

Powyższa gwarancja nie pokrywa szkód spowodowanych naturalnym zużyciem, nieprawidłowym użytkowaniem, nieprzestrzeganiem zaleceń obsługi, wypadkami lub wykorzystaniem urządzenia do celów komercyjnych.

* Zarejestruj swój produkt w ciągu 30 dni od daty zakupu.

Obowiązują zasady i warunki użytkowania.

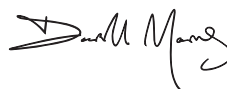
Powyższe postanowienia nie mają wpływu na prawa ustawowe klienta.

Jednostka notyfikowana: TÜV Rheinland

Dokumentacja techniczna produktu znajduje się w posiadaniu: Triton

Data: 31/08/2016

Podpis:



Darrell Morris

Dyrektor Naczelny

Nazwa i adres producenta:

Powerbox International Limited, zarejestrowany pod numerem 06897059. Adres rejestracyjny firmy: Powerbox, Boundary Way, Lufton Trading Estate, Yeovil, Somerset BA22 8HZ, United Kingdom.

Введение

Благодарим за выбор инструмента Triton. В этом руководстве содержится информация, необходимая для безопасной и эффективной эксплуатации изделия. Данное изделие отличается некоторыми уникальными особенностями, и даже если вы уже знакомы с аналогичными изделиями, важно внимательно прочитать это руководство и понять содержащиеся в нем инструкции. Убедитесь, что каждый пользователь инструмента ознакомился с руководством и понял его.

Символы и обозначения

На паспортную табличку инструмента могут быть нанесены символы. Они предоставляют важную информацию об изделии или инструкции по его эксплуатации.



Пользоваться средствами защиты органов слуха
Пользоваться средствами защиты органов зрения
Пользоваться средствами защиты органов дыхания
Пользоваться средствами защиты головы



Пользоваться средствами защиты рук



Прочитайте руководство



Берегитесь отдачи!



Внимание! Острые ножи или зубья!



Использовать только в помещении!



БЕРЕЧЬ от дождя и влаги!



Осторожно!



Ядовитые пары или газы!



НЕ прикасаться! НЕ снимать ограждения без отключения питания. Во время работы с электроинструментом не позволяйте детям и посторонним лицам приближаться к вам. Они будут отвлекать ваше внимание, и вы можете потерять управление. Лица, не участвующие в работе, должны находиться на безопасном расстоянии от рабочего участка.



Перед регулировкой, сменой оснастки, чисткой, обслуживанием и хранением прибора всегда отключайте его от сети питания.



Охрана окружающей среды
Утилизация электротехнических изделий с бытовым мусором запрещена. Такие изделия сдают в пункты утилизации, имеющие специальное оборудование. За

Технические характеристики

Номер модели:	TWX7CS001
Мощность:	1800 Вт
Частота вращения без нагрузки:	4500 об/мин
Пильный диск из карбида:	254 x 30 x 2,6 мм, 40 зубьев, соответствует EN 847-1
Размеры модуля пилы (ДхШхВ):	679 x 422 x 449 мм
Максимальная длина продольного пропила:	775 мм
Максимальная глубина пропила под углом 90°:	86 мм +/-1 мм
Максимальная глубина пропила под углом 45°:	59,5 мм +/-1 мм
Ширина стола с боковым вылетом:	+600 мм
Ширина стола с вылетом в направлении подачи:	+670 мм
Максимальные размеры заготовки (ДхШ):	851 x 775 мм (без дополнительной боковой опоры и отводной опоры)
Размер соединения для отвода пыли:	64,5/ 32,6 мм
Масса:	15 кг
Информация по шуму и вибрации	
Уровень звука излучения L_{pA} :	92,3 дБ(A)
Корректированный уровень звуковой мощности L_{WA} :	104,6 дБ(A)
Погрешность К:	2,5 дБ
Уровень звука, воздействующего на оператора, может превышать 85 дБ(A). Использование средств защиты органов слуха обязательно.	

ВНИМАНИЕ! Если уровень звука превышает 85 дБ(A), то обязательно пользуйтесь средствами защиты органов слуха. При необходимости ограничивайте продолжительность работы. Если шум вызывает дискомфорт даже при использовании средств защиты, незамедлительно выключите инструмент и убедитесь, что защита надета правильно, а ее звукоизолирующие характеристики соответствуют уровню звука, вырабатываемого инструментом.

ВНИМАНИЕ! Воздействие вибрации инструмента на человека может вызывать потерю чувствительности, онемение, покалывание и снижение способности удерживать предметы. Продолжительное воздействие чревато развитием хронических заболеваний. При необходимости ограничивайте продолжительность работы и пользуйтесь антивибрационными перчатками. Не работайте в ручном режиме, если температура ниже комфортного уровня: в таких условиях вибрация оказывает более выраженное воздействие на организм. Продолжительность и периодичность работы с инструментом можно рассчитать по значениям, которые приведены в разделе «Технические характеристики».

Указанные в характеристиках уровни звука получены в соответствии с EN61029-1 или аналогичными международными стандартами. Значения справедливы для инструмента в нормальном рабочем состоянии, эксплуатируемого в нормальных условиях. Нарушение регламента обслуживания, порядка сборки или эксплуатации инструмента может явиться причиной повышения уровня звука и вибраций. На сайте www.osha.europa.eu представлена информация по уровням звука и вибраций на рабочем месте, которая может оказаться полезной для пользователей, работающих с инструментом в бытовых условиях в течение продолжительного времени.

Общие правила техники безопасности

ВНИМАНИЕ! При работе с электроинструментами следует всегда соблюдать базовые меры предосторожности (включая приведенные ниже требования), чтобы уменьшить риск пожара, поражения электрическим током и других травм. Прочитайте все инструкции, прежде чем начинать эксплуатацию изделия, и сохраните инструкции на будущее.

ВНИМАНИЕ! Эксплуатация прибора детьми, лицами с ограниченными физическими или умственными возможностями и лицами, не имеющими достаточного опыта или знаний, разрешается только при условии, что они будут находиться под пристальным ответственным за их безопасность или получат от него необходимые инструкции по работе с прибором. Не оставляйте детей без присмотра и не позволяйте им играть с прибором.

ОСТОРОЖНО! Соблюдайте эти инструкции при эксплуатации электроинструмента, оснастки и режущего инструмента. Учитывайте условия и особенности предстоящей работы. Использование электроинструмента не по назначению может быть опасным. *В разделе, посвященном технике безопасности, термин «электроинструмент» относится как к проводным (работающим от сети), так и к беспроводным (работающим от аккумулятора) инструментам.*

1. **Следите за чистотой на рабочем месте.** Загроможденные участки и верстак – источник травм!
2. **Учитывайте условия окружающей среды.**
 - Не подвергайте инструменты воздействию дождя.
 - Не работайте с инструментами в условиях высокой влажности.
 - Следите за освещенностью рабочего места.
 - Не работайте с инструментами в присутствии воспламеняющихся жидкостей или газов.
3. **Защита от поражения электрическим током.** Избегайте контакта с заземленными поверхностями (например, трубопроводами, радиаторами, электроплитами, рефрижераторами).
4. **Не пускайте посторонних в рабочую зону.** Не позволяйте посторонним лицам (особенно детям), не участвующим в производстве работы, касаться инструмента или шнура питания. Не пускайте их в рабочую зону.
5. **Соблюдайте правила хранения неиспользуемых инструментов.** Когда инструмент не используется, он должен храниться в сухом закрытом месте, недоступном для детей.
6. **Не допускайте перегрузки инструмента.** Он будет работать лучше и безопаснее в тех режимах, на которые он рассчитан.
7. **Грамотно выбирайте инструмент.** Не выполняйте маленьким инструментом те операции, для которых нужен инструмент, предназначенный для тяжелой работы.

Не допускайте нецелевого применения инструмента. Например, не следует отрезать ветки деревьев или выполнять раскрывку циркулярной пилой.

8. Одевайтесь надлежащим образом.

- Не надевайте свободную одежду и украшения: они могут попасть в движущиеся детали.
- Вне помещений рекомендуется работать в подходящей защитной обуви.
- Длинные волосы следует прятать под защитным головным убором.

9. Используйте средства защиты.

- Используйте защитные очки.
- Используйте респираторы или защитные маски, если во время выполнения операции производится пыль.

ВНИМАНИЕ! Отсутствие средств защиты и неподходящая одежда может привести к травме или усилить тяжесть травмы.

10. Подключайте оборудование для вытяжки пыли. Если инструмент оснащен соединением для оборудования для вытяжки и сбора пыли, обязательно подключите это оборудование и используйте им надлежащим образом.

11. Не допускайте повреждения электрического кабеля. Запрещается дергать за кабель, чтобы отключить его от розетки. Держите кабель подальше от источников тепла, масла и острых кромок. Поврежденный или запутанный кабель увеличивает риск поражения электрическим током.

12. Фиксируйте заготовку. По возможности фиксируйте заготовку струбцинами или тисками. Это гораздо безопаснее, чем держать ее в руках.

13. Не тянитесь за пределы комфортной зоны досягаемости. Твердо стойте на ногах и сохраняйте равновесие.

14. Обслуживайте инструмент.

- Следите за тем, чтобы режущий инструмент был чистым и острым. Таким инструментом легче управлять, и он менее подвержен защемлению в заготовке.
- Выполняйте инструкции по смазке и замене оснастки.
- Регулярно осматривайте кабель питания. Если он поврежден, сдайте инструмент в официальный центр обслуживания.
- Периодически осматривайте удлинители. Поврежденные удлинители подлежат замене.
- Следите за тем, чтобы рукоятки были сухими и чистыми. Наличие масла и консистентной смазки не допускается.
- Следите за тем, чтобы инструмент находился в устойчивом положении.

ВНИМАНИЕ! Причиной многих несчастных случаев становится неудовлетворительное обслуживание электроинструмента.

15. Отключайте инструменты от сети. По окончании работы, перед обслуживанием или заменой оснастки (ножей, насадок, резаков) отключайте инструмент от источника питания.

ВНИМАНИЕ! Использование оснастки или навесного оборудования, не рекомендованного производителем, может привести к травмам.

16. Снимайте регулировочные и гаечные ключи. Возьмите за привычку проверять, сняты ли регулировочные и гаечные ключи, прежде чем включать инструмент.

17. Избегайте случайного пуска. Убедитесь, что выключатель находится в положении «выключено», прежде чем подключать кабель к сети, вставлять аккумулятор, поднимать или переносить инструмент.

ВНИМАНИЕ! Случайный пуск может повлечь за собой тяжелые травмы!

18. Используйте удлинители, предназначенные для работы вне помещений. Если вы работаете вне помещений, используйте только специально предназначенные для таких условий удлинители, имеющие соответствующую маркировку. Применение удлинителя, пригодного для эксплуатации вне помещения, снижает риск поражения электрическим током.

19. Будьте внимательны.

- Следите за тем, что делаете и руководствуйтесь здравым смыслом. Не работайте с инструментом, если вы устали.
- Запрещается пользоваться электроинструментом, если вы находитесь под действием алкоголя, наркотиков или лекарственных препаратов.

ВНИМАНИЕ! Даже кратковременное ослабление внимания во время работы чревато тяжелой травмой.

20. Осматривайте детали на предмет повреждений.

- Перед началом работы с инструментом следует убедиться, что он работает нормально и в состоянии выполнять свои функции.
- Следите за тем, чтобы не было биения или заедания движущихся деталей, сломанных деталей или креплений и других неисправностей, способных повлиять на работу инструмента.
- Если ограждение или любая другая деталь повреждены, следует сдать инструмент в официальный сервисный центр на ремонт или замену детали (если иное не указано в этом руководстве).
- Неисправные выключатели должен менять только официальный сервисный центр.

ВНИМАНИЕ! Не работайте с инструментом, если выключатель не включается или не выключается. Продолжать эксплуатацию инструмента можно будет только после ремонта выключателя.

21. Ремонт инструмента должен производить только квалифицированный специалист.

Этот электроинструмент соответствует применимым требованиям безопасности. Ремонт должен производить только квалифицированный специалист. В противном случае инструмент может стать источником серьезной опасности.

ВНИМАНИЕ! При обслуживании используйте только идентичные запчасти.

ВНИМАНИЕ! Если кабель питания поврежден, то его замену должен осуществлять только производитель или официальный сервисный центр.

22. Вилка электроинструмента должна соответствовать розетке. Запрещается вносить какие-либо изменения в конструкцию вилки. Не разрешается подключать заземленный электроинструмент к сети через переходники. Применение стандартных вилок и соответствующих им розеток снижает риск поражения электрическим током.

23. При работе с электроинструментом вне помещений пользуйтесь устройствами защитного отключения (УЗО). Применение УЗО позволит снизить риск поражения электрическим током.

ПРИМЕЧАНИЕ. Термин «устройство защитного отключения» (УЗО) можно заменить термином «выключатель короткого замыкания на землю» или «устройство защиты от токов утечки».

ВНИМАНИЕ! При эксплуатации инструмента на территории Австралии или Новой Зеландии рекомендуется ВСЕГДА включать в цепь питания устройство защитного отключения (УЗО) с номинальным остаточным током 30 мА или меньше.

ВНИМАНИЕ! Перед подключением инструмента к источнику питания (точке подключения, розетке и т.д.) убедитесь, что напряжение питания соответствует значению, указанному на паспортной табличке инструмента. Если напряжение источника питания выше этого значения, то подключение инструмента к такому источнику может привести к серьезным травмам пользователя и выходу инструмента из строя. Если имеются сомнения – не подключайте инструмент. Использование источника питания, напряжение которого ниже номинального напряжения инструмента, может привести к поломке электродвигателя.

Полярные вилки (только для Северной Америки). Чтобы снизить риск поражения электрическим током данное устройство оснащено полярной вилкой (один контакт шире второго). Такую вилку можно вставить в соответствующую розетку только в одном положении. Если вилка не вставляется до конца, переверните ее. Если она все равно не вставляется, обратитесь к квалифицированному электрику, и он установит подходящую розетку. Запрещается вносить какие-либо изменения в конструкцию вилок.

Правила безопасности при работе со стационарной пилой

⚠ ВНИМАНИЕ! При работе со столом для пилы ВСЕГДА используйте средства индивидуальной защиты, включая, без ограничения, средства защиты глаз, средства защиты органов слуха, подходящий респиратор и подходящие перчатки. Проследите за тем, чтобы все люди, находящиеся вблизи рабочей зоны, носили соответствующие средства защиты. Не позволяйте посторонним приближаться на опасное расстояние.

⚠ ВНИМАНИЕ! ВСЕГДА подключайте соединитель для вытяжки пыли на ограждении диска к соответствующей системе вытяжки. Некоторые сорта древесины являются ядовитыми или вызывают аллергические реакции у людей и животных. Негативное воздействие проявляется особенно ярко, если пыль очень мелкая. ВСЕГДА пользуйтесь соответствующими средствами защиты органов дыхания в дополнение к системе вытяжки.

ВНИМАНИЕ! Номинальная частота вращения пильного диска должна быть не ниже максимальной частоты вращения, указанной на электроинструменте. Работа на частотах вращения выше номинальной может привести к разрушению инструмента и разлету осколков.

- а) Устанавливайте на стол ТОЛЬКО те циркулярные пилы, которые указаны как совместимые в разделе «Технические характеристики».** Используйте ТОЛЬКО совместимые пильные диски. Расклинивающий нож должен быть не толще ширины пропила, образуемого диском, и не тоньше самого диска.
- б) ОБЕСПЕЧЬТЕ безопасность и освещенность рабочего места.** Наличие помех, объектов, представляющих опасность падения, и других опасностей не допускается.
- в) ЗАПРЕЩАЕТСЯ обрабатывать этой стационарной пилой металлы или гипсокартонные изделия на кирпичной кладке.** Она рассчитана на обработку только древесины и подобных материалов.
- г) ЗАПРЕЩАЕТСЯ использовать калевочные головки с этой стационарной пилой.** Совместимые циркулярные пилы и стол не предназначены для такого вида обработки.
- д) ВСЕГДА обеспечивайте хорошую вентиляцию рабочего места.** Регулярно удаляйте пыль и держите пилу в чистоте. Это снижает риск пожара.
- е) ЗАПРЕЩАЕТСЯ удалять фрагменты древесины или пыль с диска, пока он вращается.** ВСЕГДА отключайте пилу, отсоединяйте ее от сети питания и дождитесь полной остановки диска. Касаться диска разрешается ТОЛЬКО в стойких к порезам перчатках. В противном случае возможна травма.
- ж) ЗАПРЕЩАЕТСЯ оставлять вращающуюся пилу без присмотра.** После отключения НЕ оставляйте стационарную пилу до тех пор, пока диск полностью не остановится.
- з) ВНИМАТЕЛЬНО прочитайте инструкции в разделе «Предотвращение отдачи» и выполняйте их во время работы со стационарной пилой.**
- и) Направление подачи заготовки ВСЕГДА должно быть противоположным направлению вращения диска.** Направление подачи указано стрелкой на поверхности стола.
- к) ВСЕГДА используйте параллельную направляющую при выполнении продольных пропилов.** Следите за тем, чтобы направляющая оставалась параллельна диску. Она

НЕ ДОЛЖНА находиться под углом к нему. Надежно закрепите направляющую с обоих концов.

- л) Заготовка ВСЕГДА должна быть плотно прижата к направляющей или угловому упору. ЗАПРЕЩАЕТСЯ использовать параллельную направляющую на одной операции с угловым упором.
- м) ЗАПРЕЩАЕТСЯ демонтировать ограждение пильного диска или расклинивающий нож. Расклинивающие ножи также называют «распорками».
- н) При пилении узких заготовок ВСЕГДА используйте толкатель, чтобы руки не приближались к пильному диску. Толкатель должен ВСЕГДА быть уже заготовки. В противном случае он может коснуться диска. При выполнении глухих пропилов используйте гребенчатый зажим и блоки для толкания. Толкатель, когда он не используется, следует хранить вместе с пилой.
- о) ЗАПРЕЩАЕТСЯ работать в ручном режиме, удерживая заготовку руками. Для позиционирования и направления заготовки ВСЕГДА используйте параллельную направляющую или угловой упор.
- п) ЗАПРЕЩАЕТСЯ протягивать руки за пильным диском или над ним, а также подводить руки на расстояние менее 75 мм (3") от диска вне зависимости от причины.
- р) ВСЕГДА убирайте параллельную направляющую при выполнении поперечных пропилов. ЗАПРЕЩАЕТСЯ использовать параллельную направляющую в качестве ориентира для отрезки при выполнении поперечных пропилов.
- с) ЗАПРЕЩАЕТСЯ пытаться освободить заклинивший диск, не отключая пилу. ВСЕГДА отключайте инструмент и отсоединяйте его от сети питания.
- т) ВСЕГДА обеспечивайте опору крупногабаритным заготовкам на стороне подачи и выдачи стола и, при необходимости, с боков. По возможности применяйте роликовые опоры или пильные козлы.
- у) ЗАПРЕЩАЕТСЯ отпускать заготовку до того, как она полностью пройдет пильный диск. При необходимости используйте толкатель.
- ф) НЕ РЕКОМЕНДУЕТСЯ вести по параллельной направляющей заготовки неправильной формы с неровным краем.
- х) ЗАПРЕЩАЕТСЯ пилить круглые заготовки стационарными пилами. НЕ ДОПУСКАЕТСЯ использовать стационарные пилы для разделки бревен и дров.
- ц) ИЗБЕГАЙТЕ неудобных операций и положений рук, в которых неожиданное поскользывание может привести к контакту руки или другой части тела с диском.
- ч) ОСМАТРИВАЙТЕ защитные пластины перед использованием. Поврежденные или изношенные пластины подлежат замене.
- ш) Используйте ТОЛЬКО то вспомогательное оборудование, которое перечислено в настоящем руководстве. Оно совместимо со стационарной пилой. Использование несовместимого вспомогательного оборудования может быть опасным и может привести к тяжелой травме или материальному ущербу. ВСЕГДА соблюдайте все инструкции по безопасности и безопасные методики эксплуатации, описанные в руководстве ко вспомогательному оборудованию.
- щ) ВСЕГДА выключайте стационарную пилу, прежде чем отсоединять ее от сети питания. Это позволит избежать случайного пуска при подключении к источнику питания.

Предотвращение отдачи

Примечание. Отдача возникает при резкой остановке диска в результате защемления, торможения или перекоса. При отдаче заготовка движется назад в сторону оператора. Кроме того, рука оператора может попасть на диск, что приведет к тяжелой травме.

ВНИМАНИЕ! Отдача – результат нарушения правил эксплуатации пилы и/или неправильных рабочих процедур или условий. Однако если оператор примет определенные меры предосторожности, то можно или снизить усилие отдачи, или совсем избежать отдачи.

- а) Используйте пилу ТОЛЬКО с установленным расклинивающим ножом (также называемым «распоркой»). ЗАПРЕЩАЕТСЯ демонтировать расклинивающий нож. В противном случае может возникнуть защемление диска в пропиле.
- б) ЗАПРЕЩАЕТСЯ выполнять обработку затупившимся или деформированным диском. ВСЕГДА следите за тем, чтобы диск соответствовал обрабатываемому материалу.
- в) Следите за тем, чтобы параллельная направляющая ВСЕГДА была параллельна диску. Если направляющая наклонена к диску, то заготовка может прийти в контакт с задней кромкой диска. В результате ее может выбросить назад.
- г) ЗАПРЕЩАЕТСЯ использовать параллельную направляющую и угловой упор одновременно. Это может привести к сильной отдаче и тяжелой травме.
- д) Соблюдайте ОСТОРОЖНОСТЬ при разделке крупногабаритных листов. Проследите за тем, чтобы крупные заготовки надлежащим образом опирались на вспомогательные опоры на сторонах подачи и выдачи.
- е) ЗАПРЕЩАЕТСЯ пилить круглые заготовки, которые не могут неподвижно лежать на столе. Избегайте перекрученной, деформированной или узловатой древесины.
- ж) ЗАПРЕЩАЕТСЯ пилить влажную древесину: такая древесина отличается большим коэффициентом трения по пильному диску. Влажная пыль может скапливаться на диске, что повышает вероятность отдачи.
- з) ВСЕГДА крепко удерживайте заготовку обеими руками. Располагайте руки так, чтобы можно было противостоять силам отдачи.
- и) Держитесь подальше от пути движения диска и располагайтесь с какой-либо стороны от диска, а не на одной линии с ним.
- к) НЕ сдавайте заготовку назад по пропилу. Если нужно прервать выполнение пропила, отключите пилу, дождитесь остановки диска и снимите заготовку.
- л) НЕ ДОПУСКАЙТЕ падения заготовок на диск. ЗАПРЕЩАЕТСЯ выполнять погружные пропилы с помощью стационарной пилы.
- м) В соответствующих случаях ВСЕГДА используйте толкатели или блоки для толкания, чтобы подавать заготовку к диску. По возможности используйте гребенчатые прижимы для удержания заготовки.

Знакомство с изделием

1. Сетевая вилка
2. Пильный диск
3. Ограждение пильного диска
4. Соединение для отвода пыли в ограждении пильного диска
5. Винт крепления ограждения
6. Расклинивающий нож
7. Винт крепления расклинивающего ножа
8. Крышка щеток
9. Соединение для отвода пыли
10. Бобина выравнивания модуля
11. Ролик модуля
12. Панель пылеотвода
13. Ручка регулировки вертикального положения диска
14. Узел регулировки угла диска
15. Винт для раскроя под углом 45°
16. Винт для раскроя под углом 0°
17. Шкала угла наклона диска
18. Винт калибровки угла
19. Рычаг фиксации
20. Отверстия под большой палец
21. Вырезы для захвата
22. Отверстие для доступа в защитной пластине
23. Винт бобины выравнивания модуля
24. Винт выравнивания защитной пластины
25. Защитная пластина
26. Расходная пластина
27. Ручка поперечной регулировки
28. Винт выравнивания модуля
29. Поверхность стола модуля
30. Держатель оправки
31. Гайка крепления диска
32. Оправка
33. Фланец диска
34. Ручка крепления
35. Винт регулировки расклинивающего ножа
36. Установочная петля
37. Крепежный винт
38. Толкатель
39. Многофункциональный инструмент 1
40. Многофункциональный инструмент 2
41. Угломер
42. Ручка крепления к столу
43. Регулируемая передняя направляющая
44. Опорный кронштейн
45. Направляющая для обработки под углом 45°
46. Паз для регулировки угла
47. Градуировочная шкала
48. Визир для регулировки угла
49. Рейка крепления к столу
50. Ручка регулировки угла
51. Параллельная направляющая
52. Откидная часть направляющей

Назначение

Эффективная стационарная пила для выполнения угловых и поперечных пропилов, разделки кромок. Имеется устройство защиты от отдачи. Угломер и параллельная направляющая в комплекте. Предназначена исключительно для обработки древесины и подобных материалов. Для использования с обрабатываемым центром Triton TWX7 и вспомогательным оборудованием.


Распаковывание инструмента

- Аккуратно распакуйте и осмотрите инструмент. Ознакомьтесь со всеми его характеристиками и функциями.
- Убедитесь, что все детали инструмента находятся в хорошем состоянии. Если какие-либо детали отсутствуют или повреждены, то эксплуатация инструмента разрешается только после замены таких деталей.

ВАЖНО! Эти инструкции следует читать вместе с инструкциями, поставляемыми с обрабатываемым центром Triton.

Инструкции в формате видео смотрите на сайте www.tritontools.com

Перед эксплуатацией

 **ВНИМАНИЕ!** Прежде чем ставить или снимать оснастку, вставлять или вынимать модули, выполнять какие-либо настройки обязательно выключите стационарную пилу и отсоедините ее от сети питания.

ВНИМАНИЕ! При работе с пильным диском ВСЕГДА пользуйтесь подходящими стойкими и порезам перчатками. В противном случае возможны порезы и другие травмы.

Установка винта выравнивания модуля

- Уложите модуль пилы на устойчивую плоскую поверхность и установите винты бобины выравнивания модуля (23), винты выравнивания модуля (28) и ролики модуля (11) как показано на рисунке А.

Установка и демонтаж модуля

⚠ ВНИМАНИЕ! При переноске модуля пилы пользуйтесь вырезами для захвата (21).

Примечание. Для установки/демонтажа модуля пилы диск (2) должен находиться в положении 45°. Подробный порядок изменения угла диска смотрите в разделе «Регулировка диска».

Установка модуля

ВНИМАНИЕ! Прежде чем устанавливать или демонтировать модуль пилы опустите пыльный диск (2) на безопасную высоту.

ВНИМАНИЕ! Некоторые модули отличаются значительной массой, особенно если установлены электроинструменты. Для устойчивости и обеспечения вертикального положения тела ВСЕГДА берите модуль за вырезы для захвата (21). Избегайте неаккуратных движений при демонтаже и установке модулей.

ВАЖНО! Всегда осторожно опускайте модули, используя об отверстиях под большие пальцы (20). Неконтролируемое опускание может привести к повреждению обрабатываемого центра, модуля и электроинструмента, а также нанести травмы оператору.

⚠ ВНИМАНИЕ! Запрещается засовывать пальцы и/или части тела между модулем и шасси обрабатываемого центра. Смотрите рисунок В.

• Вставьте ролики модуля (11) в крепежные направляющие и аккуратно опустите модуль на место. Смотрите рисунок В.

• Переведите оба фиксатора модуля в закрытое положение. Смотрите рисунок С.

Примечание. Проследите за тем, чтобы винты бобины выравнивания модуля (23) были правильно расположены в крепежных элементах бобины. Винты выравнивания модуля (28) необходимо отрегулировать таким образом, чтобы устранить зазор между модулем и шасси обрабатываемого центра.

Демонтаж модуля

• Переведите фиксаторы модуля в открытое положение. Поднимите модуль с шасси, пользуясь отверстиями под пальцы, и вытащите ролики модуля (11) из крепежных направляющих. Смотрите рисунок В.

Выравнивание модулей стола

• Модуль выравнивают с помощью винтов бобины выравнивания модуля (23) и винтов выравнивания модуля (28) в порядке, показанном на рисунке D.

• Проверьте положение модуля относительно поверхности стола с помощью линейки, как показано на рисунке E. Если модуль все еще не стоит ровно, повторите вышеописанную процедуру.

Сборка модуля пилы

• Смотрите рисунки A–L и приведенные ниже инструкции по сборке модуля пилы.

Установка расклинивающего ножа

ВНИМАНИЕ! Перед эксплуатацией убедитесь, что расклинивающий нож (6) правильно установлен на место.

1. Переведите пыльный диск (2) в положение 0° и поднимите его на максимальную высоту ручкой регулировки вертикального положения (13).

2. Ослабьте шестигранный винт защитной пластины (25) на стороне входа заготовки и, пользуясь отверстием для доступа (22), вытащите пластину. Смотрите рисунок F.

3. Наденьте расклинивающий нож (6) на крепежный кронштейн и затяните ручку крепления (34). Смотрите рисунок G.

Выравнивание защитной пластины

ВНИМАНИЕ! Перед эксплуатацией убедитесь, что защитная пластина (25) надлежащим образом установлена и выровнена.

1. Для выравнивания защитной пластины используют винты (24).

2. Пользуясь линейкой, убедитесь, что защитная пластина находится вровень с поверхностью стола. Если это не так, повторите вышеописанную процедуру.

Регулировка диска

• Порядок регулировки угла пыльного диска (2):

1. Ослабьте рычаг фиксации (19).

2. Измените угол диска с помощью узла регулировки угла диска (14).

3. Контроль угла осуществляют по шкале угла наклона диска (17).

• Отрегулируйте вертикальное положение пыльного диска, поворачивая ручку регулировки вертикального положения диска (13):

• по часовой стрелке, чтобы поднять пыльный диск;

• против часовой стрелки, чтобы опустить пыльный диск.

Калибровка диска

Примечание. При калибровке пыльного диска (2) смотрите рисунок H.

1. Поднимите пыльный диск на максимальную высоту с помощью ручки регулировки вертикального положения диска (13).

2. Пользуясь узлом регулировки угла диска (14), установите пыльный диск перпендикулярно поверхности стола.

3. Положите угольник (не поставляется в комплекте) на поверхность стола и диск.

4. Ослабьте винт для раскроя под углом 0° (16).

5. Отрегулируйте положение пыльного диска так, чтобы он встал параллельно угольнику.

6. Ослабьте винты калибровки угла (18) и совместите красную шкалу с нулем на шкале угла наклона диска (17).

7. Зафиксируйте положение пыльного диска рычагом фиксации (19).

8. Затяните винт для раскроя под углом 0°.

9. Ослабьте винт для раскроя под углом 45° (15).

10. Переведите пыльный диск в положение 45°.

11. Затяните винт для раскроя под углом 45° и убедитесь, что на шкале угла наклона диска отображаются 45°. Если 45° не отображаются на шкале после затяжки винта для раскроя под углом 45°, повторите шаги 9–11.

Регулировка положения расклинивающего ножа

1. Переведите пыльный диск (2) в положение 0° и поднимите его на максимальную высоту ручкой регулировки вертикального положения (13).

2. Ослабьте шестигранный винт защитной пластины (25) на стороне входа заготовки и, пользуясь отверстием для доступа (22), вытащите пластину. Смотрите рисунок F.

3. Ослабьте винт регулировки расклинивающего ножа (35) и винт крепления расклинивающего ножа (7).

4. Приложите две линейки к сторонам пыльного диска и расклинивающего ножа.

5. Уберите линейки и затяните сначала винт регулировки расклинивающего ножа, а затем – винт крепления расклинивающего ножа.

6. Убедитесь, что расклинивающий нож находится на одной линии с пыльным диском. Если это не так, повторите шаги 3–5 до достижения нужного положения.

7. Установите защитную пластину на место. Регулировка положения расклинивающего ножа завершена.

Параллельная направляющая

• Разверните откидные части параллельной направляющей (52) и вставьте их в соответствующие направляющие в шасси обрабатываемого центра. Смотрите рисунок I.

• На откидных частях параллельной направляющей имеется градуированная шкала. При использовании вместе с индикатором положения параллельной направляющей можно обеспечить высокоточные измерения ширины.

Угломер

• Ослабьте ручку крепления к столу (42) и введите рейку крепления к столу (49) в T-образный паз в шасси обрабатываемого центра. Смотрите рисунок J.

• Зафиксируйте угломер (41), затянув ручку крепления к столу.

• Чтобы выполнить настройку угла, ослабьте ручку регулировки угла (50) и поверните угломер на нужный угол.

• Угол смотрят через визир (48).

• Настройте регулируемую переднюю направляющую (43) под размер заготовки. Для этого ослабьте два болта с шестигранной головкой.

• Разверните угломер и задайте угол 0°, чтобы использовать направляющую для обработки под углом 45° (45).

Вытяжка пыли

ВНИМАНИЕ! ВСЕГДА пользуйтесь подходящим пылесосом или цеховой системой вытяжки.

ВНИМАНИЕ! Некоторые пыли природной древесины, поверхностные покрытия и композитные материалы содержат ядовитые вещества. ВСЕГДА утилизируйте опасную пыль в соответствии с нормами и правилами.

• Несмотря на то, что можно применять любые пылесосы, бытовые устройства (с мешочным пылеуловителем) заполняются очень быстро. Для повышения емкости рекомендуем использовать со своим пылесосом сборник для пыли Triton (DCA300).

• Общая электрическая нагрузка пилы и пылесоса может превысить номинальный ток бытового удлинителя или сетевой розетки. Всегда подключайте пылесос и пилу к разным розеткам и не включайте оба прибора одновременно.

Электрические соединения

Примечание. В конструкции обрабатываемого центра предусмотрен выключатель-разъединитель и универсальная бортовая розетка, которая позволяет легко подключать электроинструменты. Смотрите рисунок K.

Присоедините обрабатывающий центр к сети с помощью сетевой вилки.

• Для подключения электроинструментов к сети питания применяют бортовую розетку.

1. Электроинструмент следует подключать к распределительной коробке обрабатываемого центра.

2. Если длины электрического кабеля обрабатываемого центра не хватает, допускается применять подходящие удлинители.

ВНИМАНИЕ! Используйте только удлинители, находящиеся в хорошем состоянии. Сечение проводников удлинителей должно быть достаточным для тока, потребляемого электроинструментом. Использование удлинителей с проводниками недостаточного сечения приведет к падению напряжения в линии, потере мощности, перегреву и выходу из строя электродвигателя инструмента.

Эксплуатация

⚠ ВНИМАНИЕ! При работе с этим инструментом ВСЕГДА пользуйтесь подходящими средствами защиты органов зрения, дыхания и слуха. Пользуйтесь подходящими перчатками.

ВАЖНО! На модуле пилы указано направление подачи. Это правильное и наиболее безопасное направление перемещения заготовки при выполнении пропилов.

ВНИМАНИЕ! Не используйте слишком крупные заготовки, которые могут перевесить обрабатывающий центр.

ВНИМАНИЕ! Перед эксплуатацией убедитесь, что защитная пластина (25) надлежащим образом установлена и выровнена.

Примечание. Полную информацию и схемы, относящиеся к частям обрабатываемого центра, смотрите в исходных инструкциях к обрабатываемому центру TWX7.

Эксплуатация распределительной коробки обрабатываемого центра

ВАЖНО! Для включения распределительной коробки необходимо подключение к сети питания, находящейся под напряжением. Если питание прекратится, коробка сразу же отключится, и для продолжения работы необходимо будет перевести выключатель в включенное положение после восстановления питания.

Включение и выключение

1. Выключатель обрабатываемого центра располагается в передней части шасси. Смотрите рисунок K.

2. Присоедините шнур обрабатываемого центра к настенной розетке и переведите выключатель в положение «включено».

3. Переведите выключатель обрабатываемого центра в положение «О», нажав на коленный выключатель.

4. Подключите вилку питания электроинструмента к розетке для электроинструмента.

5. Включите электроинструмент, переведя выключатель в положение «I».

• Чтобы выключить питание, нажмите коленный выключатель.

Примечание. В случае перебоя электроснабжения во время работы устройство не перезапустится. Для того, чтобы продолжить работу, необходимо заново активировать выключатель.

Положение пользователя и направление подачи

• Основное положение пользователя определяется местоположением коленного выключателя.

• ВСЕГДА располагайтесь в непосредственной близости от выключателя, чтобы в чрезвычайной ситуации можно было мгновенно отключить инструмент.

• Заготовки следует подавать в направлении, показанном стрелками на поверхности стола модуля (29).

Использование подвижных опор стола (доступны в качестве опции)

- Отводные опоры обрабатывающего центра (ТWХ7ОS) и боковые опоры обрабатывающего центра (ТWХ7SS) можно настроить таким образом, чтобы они обеспечивали надежную опору для крупногабаритных заготовок. Эти опоры являются опцией. Для регулировки необходимо ослабить ручки крепления отводной опоры и/или ручки крепления боковой опоры и переместить опорный стержень в соответствии с размером заготовки.

Регулировка угломера

Примечание. Для увеличения срока службы угломера (41) рекомендуется прикрепить к направляющей расходный кусок древесины.

- Ослабьте ручку крепления к столу (42) и ручку регулировки угла (50). При этом угломер должен быть расположен в Т-образном пазу.
 - Отрегулируйте угол угломера, контролируя его через визир (48).
 - Зафиксируйте угломер в Т-образном пазу: плотно затяните ручку регулировки угла; затяните ручку крепления к столу до появления сопротивления.
- Если требуется угол 45°:
 - Снимите угломер и установите его обратно так, чтобы регулируемая передняя направляющая располагалась позади (43).
 - Добейтесь того, чтобы через визир отображалось значение 0° и затяните ручку регулировки угла.
 - Закрепите заготовку с помощью направляющей для обработки под углом 45° (45).

Использование толкателя

ВНИМАНИЕ! При пилении мелких заготовок необходимо использовать толкатели. В противном случае работа будет представлять опасность.

- Толкатель (38) идет в комплекте с данным изделием. Однако в некоторых случаях для безопасной обработки заготовки могут потребоваться несколько толкателей.
- При разделке заготовки малого диаметра потребуются несколько толкателей, чтобы фиксировать заготовку рядом с пильным диском (2).

Операции пиления

ВНИМАНИЕ! ЗАПРЕЩАЕТСЯ касаться части заготовки, расположенной рядом с пильным диском (2), если вращается диск или включено питание. В противном случае заготовка может вылететь и нанести травмы оператору.

ВНИМАНИЕ! Всегда держите обе руки на расстоянии от диска и траектории пиления.

ВНИМАНИЕ! ЗАПРЕЩАЕТСЯ оттягивать заготовку назад во время пиления. Для удаления частично распиленной заготовки необходимо отключить инструмент и дождаться полной остановки пильного диска.

ВНИМАНИЕ! При пилении крупногабаритных заготовок, размеры которых больше длины и/или ширины поверхности рабочего стола, необходимо обеспечить поддержку этих заготовок за счет отводных опор обрабатывающего центра (ТWХ7ОS) и/или боковых опор обрабатывающего центра (ТWХ7SS). Они являются опцией и поставляются местным дилером Triton.

ВНИМАНИЕ! Обрабатываемый центр должен располагаться на устойчивой, ровной и надежной поверхности. Перед эксплуатацией обрабатывающего центра ВСЕГДА проверяйте, устойчиво ли он стоит. Эксплуатация обрабатывающего центра на неровной, неустойчивой поверхности опасна и может привести к тяжелым травмам.

Выполнение поперечных пропилов

ВНИМАНИЕ! Во избежание вылета отпиленной части заготовки не допускайте ограничения заготовки с помощью параллельной направляющей (51). Используйте угломер (41) для поддержания заготовки во время пиления.

- Если размеры заготовки больше максимальных значений, указанных в разделе «Технические характеристики», отрегулируйте опорные конструкции под размеры заготовки в процессе работы.

- Уберите параллельную направляющую с пути движения заготовки. Настройте угломер (41) на нужный угол и зафиксируйте его.
- Расположите пильный диск так, чтобы высшая точка находилась примерно на 3,2 мм выше верха заготовки.
- Плотно прижмите заготовку к угломеру рукой, ближайшей к диску. Положите вторую руку на часть заготовки, наиболее удаленной от пильного диска, для поддержки.
- Включите пилу и дождитесь, пока пильный диск не разгонится до рабочей частоты вращения.
- Удерживая заготовку обеими руками (как описано в пункте 3), медленно подайте ее к пильному диску.

Примечание. Прежде чем удалять отпиленную часть заготовки отключите пилу и дождитесь остановки диска.

Выполнение угловых пропилов

- Если размеры заготовки больше максимальных значений, указанных в разделе «Технические характеристики», отрегулируйте опорные конструкции под размеры заготовки в процессе работы.

- Настройте угломер (41) на нужный угол. Порядок настройки и калибровки угломера смотрите в разделе «Регулировка угломера».
- Инструкции по пилению смотрите в разделе «Выполнение поперечных пропилов».

Выполнение продольных пропилов

ВНИМАНИЕ! При выполнении продольных пропилов следует обязательно использовать параллельную направляющую (51) (свободное пиление с удержанием заготовки руками опасно). Перед выполнением пропилов ВСЕГДА проверяйте, чтобы направляющая была надежно закреплена.

ВНИМАНИЕ! При выполнении продольных пропилов и по возможности держите руки на расстоянии от пильного диска (2). Если между направляющей и диском менее 152 мм, то для подачи заготовки следует применять толкатель (38).

ВНИМАНИЕ! ЗАПРЕЩАЕТСЯ оттягивать заготовку назад в процессе пиления. Для удаления частично распиленной заготовки отключите инструмент и дождитесь полной остановки пильного диска.

- Если размеры заготовки больше максимальных значений, указанных в разделе «Технические характеристики», отрегулируйте опорные конструкции под размеры заготовки в процессе работы.

- Отрегулируйте и зафиксируйте параллельную направляющую с помощью зажимов направляющей.
- Снимите угломер (41).
- Расположите диск так, чтобы высшая точка находилась примерно на 3,2 мм выше верха заготовки.

- Уложите заготовку на стол и прижмите ее к параллельной направляющей. Заготовка должна располагаться на расстоянии не менее 25 мм от пильного диска.
- Включите пилу и дождитесь, пока пильный диск не разгонится до рабочей частоты вращения.
- Удерживая заготовку на столе прижатой к направляющей, медленно подайте ее через пильный диск. Сохраняйте равномерное толкающее усилие до тех пор, пока вся заготовка не пройдет через диск. Когда задний конец заготовки подойдет ближе 150 мм к диску, используйте толкатель (38) для дальнейшей подачи.

Выполнение продольных пропилов под углом

ВНИМАНИЕ! При выполнении продольного пропила под углом параллельная направляющая (51) должна располагаться на правой стороне пильного диска (2). Пильный диск ни при каких обстоятельствах не должен быть наклонен к направляющей.

Примечание. Эту операцию выполняют в соответствии с разделом «Выполнение продольных пропилов» за исключением того, что угол пильного диска настроен на значение, отличное от 0°.

- Если размеры заготовки больше максимальных значений, указанных в разделе «Технические характеристики», отрегулируйте опорные конструкции под размеры заготовки в процессе работы.

- Ослабьте рычаг фиксации (19) и настройте угол пильного диска (2) с помощью узла регулировки (14).
- Задав нужный угол, зафиксируйте пильный диск рычагом фиксации.
- Выполните процедуру пиления в соответствии с разделом «Выполнение продольных пропилов».

Выполнение поперечных пропилов под углом

Примечание. Эту операцию выполняют в соответствии с разделом «Выполнение поперечных пропилов» за исключением того, что угол пильного диска настроен на значение, отличное от 0°.

- Если размеры заготовки больше максимальных значений, указанных в разделе «Технические характеристики», отрегулируйте опорные конструкции под размеры заготовки в процессе работы.

- Ослабьте рычаг фиксации (19) и настройте угол пильного диска (2) с помощью узла регулировки (14).
- Задав нужный угол, зафиксируйте диск рычагом фиксации.
- Выполните процедуру пиления в соответствии с разделом «Выполнение поперечных пропилов».

Оснастка

- Местный дилер Triton предоставляет широкий выбор оснастки, включая комплект ходовых деталей (ТWХ7RТK), боковую опору (ТWХ7SS) и отводную опору (ТWХ7ОS). Запчасти можно приобрести у местного дилера Triton или заказывать на сайте www.toolsparsonline.com.

Техническое обслуживание

⚠ ВНИМАНИЕ! ВСЕГДА отсоединяйте обрабатываемый центр от источника питания перед очисткой, сменой оснастки, регулировкой или обслуживанием.

⚠ ВНИМАНИЕ! При очистке или обслуживании ВСЕГДА пользуйтесь средствами защиты, включая средства защиты глаз и подходящие стойкие к порезам перчатки.

ВНИМАНИЕ! При работе с пильным диском (2) ВСЕГДА пользуйтесь подходящими стойкими к порезам перчатками. В противном случае возможны порезы и другие травмы.

Замена пильного диска

ВНИМАНИЕ! Номинальная частота вращения пильного диска должна быть не ниже максимальной частоты вращения, указанной на электроинструменте. Работа на частотах вращения выше номинальной может привести к разрушению инструмента и разлету осколков.

- Выкрутите винт крепления ограждения диска (3) к расклинивающему ножу (6) и отсоедините ограждение.
- Ослабьте шестигранный винт защитной пластины (25) на стороне входа заготовки и, пользуясь отверстием для доступа, вытащите пластину. Смотрите рисунок F.
- Отключите фиксацию рычагом (19), поднимите оправку (32) на максимальную высоту, поворачивая ручку регулировки вертикального положения диска (13) по часовой стрелке.
- Зафиксируйте ручку вертикального положения диска рычагом фиксации.
- Снимите старый пильный диск (2): зафиксируйте держатель оправки (30) многофункциональным инструментом 1 (39) и одновременно открутите гайку крепления диска (31) многофункциональным инструментом 2 (40).
- Установите две половинки фланца диска (33) на новый пильный диск, затем установите диск в сборе на оправку. Смотрите рисунок L.

Примечание. Проверьте ориентацию установленного пильного диска. Направление, указанное стрелкой на пильном диске, должно соответствовать направлению стрелки на ограждении диска.

- Закрепите новый пильный диск: зафиксируйте держатель оправки многофункциональным инструментом 1 и затяните гайку крепления диска многофункциональным инструментом 2.
- Установите на место защитную пластину и ограждение диска.

Замена защитной пластины

ВНИМАНИЕ! При интенсивной эксплуатации пилы может возникнуть износ защитной пластины. Защитную пластину необходимо поддерживать в хорошем состоянии. При необходимости выполняют замену.

- Выкрутите винт крепления ограждения диска (3) к расклинивающему ножу (6) и отсоедините ограждение.
- Ослабьте шестигранный винт защитной пластины (25) на стороне входа заготовки и, пользуясь отверстием для доступа (22), вытащите пластину. Смотрите рисунок F.
- Установите новую защитную пластину и/или расходную пластину.
- Выровняйте защитную пластину. Подробные инструкции смотрите в разделе «Выравнивание защитной пластины».
- Установите ограждение диска на место.

Очистка

- Всегда держите инструмент в чистоте. Пыль и грязь ускоряют износ внутренних деталей и сокращают срок службы инструмента. Для чистки корпуса используйте

мягкую щетку или сухую тряпку. По возможности рекомендуется продуть вентиляционные отверстия сухим и чистым сжатым воздухом.

- Запрещается использовать щелочные вещества для очистки пластиковых деталей. Если сухая чистка не дает желаемого результата, рекомендуется протереть инструмент влажной тряпкой с мягким моющим средством.
- Не допускайте контакта инструмента с водой.
- Тщательно высушите инструмент перед использованием.

Удаление засорений

1. Отключите инструмент и отсоедините его от источника питания. Выкрутите винт крепления ограждения диска (3) к расклинивающему ножу (6) и отсоедините ограждение.
2. Ослабьте шестигранный винт защитной пластины (25) на стороне входа заготовки и, пользуясь отверстием для доступа, вытащите пластину. Смотрите рисунок F.
3. Снимите панель пылеотвода (12) и отсоедините трубку вытяжной системы, присоединенную к соединению для отвода пыли (9).
4. Найдите и устраните засорение.
5. Затем установите на место ограждение диска, защитную пластину, панель пылеотвода; присоедините трубку вытяжной системы.

Смазка

- Регулярно смазывайте все движущиеся детали ПТФЭ-спреем, особенно после работы в тяжелом режиме или очистки.

ВНИМАНИЕ! НЕ ПРИМЕНЯЙТЕ спрей на основе силикона. Остатки смазки будут накапливать древесную пыль, что приведет к образованию отложений грязи, которые начнут мешать движущимся деталям и механизмам. Применяйте ТОЛЬКО сухую смазку в виде спрея из ПТФЭ.

Хранение

- После работы укладывайте инструмент и оснастку в чемоданчик. Храните его в сухом, надежном, недоступном для детей месте.

Утилизация

Утилизация неработающего и не подлежащего ремонту электроинструмента должна выполняться в строгом соответствии с государственными нормативами.

- Запрещается утилизировать электроинструмент или иной лом электрического и электронного оборудования с бытовым мусором.
- Обратитесь в местное управление по утилизации отходов за информацией о правильных методах утилизации электроинструмента.

Поиск и устранение неисправностей

Неисправность	Возможная причина	Метод устранения
Не срабатывает выключатель.	Отсутствует питание.	Проверьте источник питания.
	Неисправен выключатель.	Сдайте инструмент в официальный сервисный центр Triton на замену выключателя.
Неудовлетворительное качество пиления.	Дефектный диск.	Диск требует замены. Порядок замены смотрите в разделе «Замена пильного диска».
Профили пиления не соответствуют измерениям.	Плохо закреплены угломер (41) или параллельная направляющая (51).	Закрепите направляющие и убедитесь, что при прикладывании давления отсутствует перемещение.
	Пильный диск (2) не откалиброван.	Выполните калибровку пильного диска в соответствии с разделом «Калибровка диска».
	Расходный кусок древесины на угломере (41) не обеспечивает надежную опору.	Замените расходный кусок древесины.

Гарантия

Чтобы зарегистрировать гарантию, зайдите на наш сайт www.tritontools.com и введите свои данные*.

Ваши данные будут включены в список рассылки (если вы от нее не откажетесь), и вы сможете получать информацию о наших будущих новинках. Указанные данные не передаются третьим сторонам.

Информация о покупке

Дата покупки: ___ / ___ / ___

Модель: TWX7CS001

Сохраните чек в качестве подтверждения покупки.

Компания Triton Precision Power Tools гарантирует покупателю данного изделия, что при обнаружении дефектов материала или производственного брака в течение 3 ЛЕТ со дня первичного приобретения, компания Triton выполнит ремонт или замену (на свое усмотрение) дефектной детали бесплатно.

Гарантия не распространяется на случаи коммерческой эксплуатации изделия, нормальный износ или повреждение в результате несчастного случая, нарушения правил эксплуатации или нецелевого использования.

* Зарегистрируйтесь онлайн в течение 30 дней.

Согласно условиям и положениям.

Данные условия не влияют на ваши законные права.

Декларация соответствия CE

Нижеподписавшийся: Господин Дэррел Моррис (Darrell Morris)

уполномоченный компанией: Triton

Заявляет, что

Идентификационный код: TWX7CS001

Описание: Модуль пилы

Соответствует следующим директивам и стандартам:

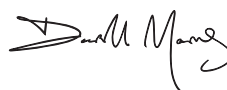
- Директива по машинам 2006/42/EC
- Директива по электромагнитной совместимости 2014/30/EC
- Директива об ограничении использования вредных веществ 2011/65/EU
- EN61029-1:2009+A11:2010
- EN61029-2:2012
- EN55014-1:2006+A1:2009+A2:2011
- EN55014-2:1997+A1:2001+A2:2008
- EN61000-3-2:2014
- EN61000-3-3:2013

Уполномоченный орган: TÜV Rheinland

Владелец технической документации: Triton

Дата: 31/08/2016

Подпись:



Господин Дэррел Моррис (Darrell Morris)

Директор

Название и адрес производителя:

Powerbox International Limited, Company No. 06897059. Юридический адрес: Powerbox, Boundary Way, Lufton Trading Estate, Yeovil, Somerset BA22 8HZ, United Kingdom (Великобритания).

Bevezetés

Köszönjük, hogy megvásárolta ezt a Triton szerszámot! A jelen útmutató a termék biztonságos és hatékony üzemeltetéséhez szükséges információkat tartalmazza. Ez a termék egyedi tulajdonságokkal rendelkezik, és még ha Ön ismeri is a hasonló termékeket, mindenképpen alaposan olvassa el ezt az útmutatót, hogy megértse a benne levő utasításokat. Ügyeljen arra, hogy a szerszámot használó minden személy elolvassa és teljesen megértse ezeket az utasításokat.

A szimbólumok leírása

A készülék adattábláján jelölések találhatóak. Ezek fontos információkat tartalmaznak a termékről vagy annak használatáról.



Viseljen fülvédőt.
Viseljen védőszemüveget.
Viseljen védőmaszkot.
Viseljen fejkendőt.



Viseljen védőkesztyűt.



Olvassa el a kezelési útmutatót.



Ügyeljen a visszarúgásra!



Figyelem: Éles pengék vagy fogak



Kizárólag beltéri használatra!



Ne használja esőben vagy nedves környezetben!



Vigyázat!



Mérgező gőzök vagy gázok!



NE érintse meg! NE bontsa meg a védőelemet, míg nem feszültségmentesíti a szerszámot. A szerszám gép használata közben tartsa távol a gyermekeket és a közelben tartózkodókat. A figyelemelvonás miatt elvesztheti ellenőrzését a munka felett. A látogatókat biztonságos távolságban kell tartani a munkaterülettől.



Mindig válassza le a gépet a hálózati feszültségről, ha nem használja, vagy mielőtt bármilyen beállítási, tartozékcsere, karbantartási vagy tisztítási műveletet végez. Always disconnect from the power supply when adjusting, changing accessories, cleaning, carrying out maintenance and when not in use!



Környezetvédelem
A leselejtezett elektromos termékeket nem szabad a háztartási hulladékba dobni. Kérjük, vigye el a megfelelő újrafelhasználási helyre, ha létezik ilyen. Keresse meg a helyileg illetékes hatóságokat vagy a forgalmazót az újrafelhasználásra vonatkozó tanácsokért.

Műszaki adatok

Típuszám:	TWX7CS001
Teljesítmény:	1800 W
Üresjárat fordulatszám:	4500 f/perc
Keménység fűrészlap:	megfelel az EN 847-1 szabványnak, 254 x 30 x 2,6 mm, 40 fog
Fűrészasztal-modul mérete (hossz. x szél. x mag.):	679 x 422 x 449 mm
Max. hasítási képesség:	775 mm
Max. vágási mélység 90°-nál:	86 mm +/- 1 mm
Max. ferdevágási képesség 45°-nál:	59,5 mm +/- 1 mm
Asztal szélessége oldalsó toldattal:	+600 mm
Asztal hosszúsága kiadagoló toldattal:	+670 mm
Munkadarab max. mérete (hossz. x szél.):	851x775 mm (kiegészítő oldalsó és kiadagoló támaszték nélkül)
Porelvezető csomk mérete:	64.5/ 32.6mm
Tömeg:	15kg
Zajra és rezgésre vonatkozó adatok:	
Hangnyomás L_{pA} :	92,3dB(A)
Hangteljesítmény L_{WA} :	104,6dB(A)
Tűrés K:	2,5dB
A kezelő számára a zajszint meghaladhatja a 85 dB(A) értéket, és kötelező a hallásvédő eszközök alkalmazása.	

FIGYELEM: Mindig viseljen hallásvédő eszközt, ha a zajszint meghaladja a 85 dB(A) értéket, és korlátozza a zajnak való kitettség időtartamát, amennyiben szükséges. Ha a zajszint még fülvédővel is kényelmetlen, azonnal hagyja abba a szerszám használatát, és ellenőrizze, hogy a fülvédő megfelelően illeszkedik-e, és biztosítja-e a szerszám által keltett hangszint megfelelő csökkentését.

FIGYELEM: A szerszám vibrációja a felhasználónál a tapintásérzék elvesztését, zsibbadást, bizsergő érzést és csökkent fogási készséget eredményezhet. A hosszú távú kitettség krónikus betegséget okozhat. Szükség esetén korlátozza a rezgésnek kitettség időtartamát, és használjon rezgéscsillapító kesztyűt. Ne használja a szerszámot csupasz kézzel a normál, kellemes hőmérséklet alatt, mivel ekkor a rezgésnek erősebb lesz a hatása. A műszaki adatokban megadott vibrációs számadatokból kiszámítható a szerszám használatának időtartama és gyakorisága.

A műszaki adatokban megadott hangerőszintek az EN61029-1 vagy hasonló nemzetközi szabványoknak megfelelően vannak meghatározva. A számadatok a szerszám szokásos működési körülmények között történő normál használatát jelzik. A rosszul karbantartott, rosszul összeszerelt, vagy nem megfelelő módon használt szerszámnál a zajszint és a rezgésszint megemelkedhet. A www.osha.europa.eu weboldal tájékoztatást nyújt a munkahelyi hang-és vibrációs szintekről. Ez hasznos lehet az otthoni felhasználók számára, akik a szerszámokat hosszú időn át használják.

- j) Keresztirányú vágásoknál MINDIG távolítsa el a párhuzamvezetőt az útból. Keresztirányú vágásoknál SOHA NE használja a párhuzamvezetőt a méretre vágás mérőeszközeként.
- q) A beragadt fűrészlapot SOHA ne próbálja meg kiszabadítani, ha a fűrész be van kapcsolva. MINDIG kapcsolja ki és válassza le a tápfeszültségről a készüléket.
- r) A nagyobb munkadarabokat az asztali körfűrész be- és kiadagoló oldalánál MINDIG támassza alá, valamint szükség szerint az oldalaknál is. Ahol lehetséges, használjon görgős támasztékokat vagy fűrészbakot.
- s) SOHA ne hagyja, hogy a munkadarab kiszaladjon, mielőtt teljesen át nem tolja a fűrészlap mellett, és szükség szerint használjon nyomópalcát.
- t) A párhuzamvezetővel való megvezetéshez NE dolgozzon fel szabálytalan alakú, egyenes éllel nem rendelkező munkadarabokat.
- u) NE vágjon gömbölyű munkadarabokat az asztali körfűrészsel. NE használja az asztali körfűrész szálfák vagy tűzifa vágására.
- v) Kerülje az esetlen munkapozíciókat és kezei olyan helyzetét, ahol egy hirtelen megcsúszás miatt a keze vagy más testrésze hozzáérhet a fűrészlaphoz.
- w) Használat előtt ELLENŐRIZZE az adagolólemezt. Cserélje ki az adagolólemezt, ha sérült vagy elhasználódott.
- x) KIZÁRÓLAG a jelen használati utasításban felsorolt, az asztali körfűrészsel való használatra engedélyezett tartozékokat használjon. A nem megfelelő tartozékok használata veszélyt hordoz magában, és súlyos sérüléshez vagy anyagi kárhoz vezethet. MINDIG tartsa be a tartozékhöz mellékelt összes biztonsági utasítást és üzemeltetési eljárást.
- y) MINDIG kapcsolja ki az asztali körfűrész, mielőtt leválasztja a tápfeszültségről. Ezzel megelőzhető a gép véletlenszerű elindulása a tápfeszültséghez való csatlakoztatáskor.

Visszarúgás megelőzése

Megjegyzés: Visszarúgás akkor lép fel, amikor az összezáródó vágat a fűrészlapot megfogja, vagy amikor a fűrészlap kitér a vágattal párhuzamos síkból. Ekkor a gép a munkadarabot hátrafele, a kezelő irányába mozdíja. A munkadarab a kezelő kezét a fűrészlaphoz ránthatja, mely súlyos sérülést eredményezhet.

FIGYELEM: A visszarúgás a fűrész nem megfelelő használatának és/vagy a helytelen üzemeltetési eljárásoknak vagy feltételeknek a következménye. A visszarúgás erőhatásait a kezelő kézben tarthatja, és az alábbi óvintézkedésekkel kerülheti el:

- a) A körfűrész MINDIG hasítókéssel használja. A hasítókést SOHA ne szerelje le, így megakadályozhatja, hogy a fűrészelési vágat rázáruljon a fűrészlapra.
- b) SOHA ne próbáljon élethen vagy megvetemedett fűrészlappal vágást végezni. MINDIG a vágandó anyag fajtájának megfelelő fűrészlapot használjon.
- c) MINDIG ügyeljen arra, hogy a párhuzamvezető párhuzamos legyen a fűrészlappal. Ha a párhuzamvezető a fűrészlap felé dől, a munkadarab hozzáérhet a fűrészlap hátsó részéhez, és ennek eredményeként kontrollálhatatlanul visszalökődhet a kezelő felé.
- d) SOHA NE használja együtt a párhuzamvezetőt és a gérvágási szög vezetőelemét. Ez komoly visszarúgáshoz és súlyos sérüléshez vezethet.
- e) Legyen KÖRÜLTEKINTŐ nagyméretű lapok vágásakor. Ügyeljen arra, hogy a nagyméretű munkadarab megfelelően legyen alátámasztva be- és kiadagolási támasztékokkal.
- f) NE vágjon gömbölyű munkadarabokat, melyek nem fektethetők el az asztalon. Kerülje a megcsavarodott, megvetemedett vagy csomós faanyagot.
- g) NE vágjon nedves faanyagot, mivel az nagyobb súrlódást okoz a fűrészlapon. A nedves fűrészpor összegyűlhet a fűrészlapon, és tovább növelheti a visszarúgás esélyét.
- h) MINDIG fogja stabilan a munkadarabot mindkét kezével, és hozza a karjait olyan helyzetbe, hogy ellen tudjon állni a visszarúgáskor fellépő erőeknek.
- i) Maradjon távol a fűrészlap vonalától; helyezze a testét a fűrészlap egyik oldalára, és semmiképpen sem azzal egy vonalba.
- j) NE hátráljon a vágatból. Ha egy vágás elkészülte előtt azt meg kell szakítania, kapcsolja ki a fűrész, és vegye ki a munkadarabot a fűrészből, miután a fűrészlap forgása leállt.
- k) ÜGYELJEN arra, hogy a munkadarabok ne essenek a fűrészlaphoz. NE próbáljon meg merülő vágást végezni az asztali körfűrészsel.
- l) Szükség esetén MINDIG használjon nyomópalcát vagy nyomótömböt a munkadarab fűrészlapon való átvetéséhez. Amikor lehetséges, használjon szorítólemezt a munkadarab lerögzítéséhez.

A termék ismertetése

- Villásdugó
- Fűrészlap
- Fűrészlap védőburkolat
- Fűrészlap védőburkolatának porelvezető nyílása
- Védőburkolat rögzítőcsavarja
- Hasítóké
- Hasítóké
- Hasítóké
- Szénkefetartó sapkája
- Porelvezető csonk
- Modulszintező Bobbin csavar
- Modulgörgő
- Porelvezető panel
- Fűrészlapmagasság-állító hajtókar
- Ferdevágás szögének állítógombja
- 45°-os vágás állítócsavarja
- 0°-os vágás állítócsavarja
- Ferdevágás szögmérője
- Szögkalibráló csavar
- Rögzítőkar
- Lyukak a hűvelykujjnak
- Nyílások a kezeknek
- Réselőlap szerelőnyílása
- Modulszintező Bobbin csavar
- Réselőlap szintezőcsavarja

- Réselőlap
- Kopólemez
- Oldalirányú állítókerék
- Modulszintező csavar
- Modul asztallapja
- Tengelytartó
- Fűrészlaprögzítő anya
- Tengely
- Alátéttárcsa
- Rögzítőgomb
- Hasítóké
- Rögzítőfül
- Rögzítőcsavar
- Nyomópálca
1. sz. többfunkciós szerszám
2. sz. többfunkciós szerszám
- Szögmérő
- Pad rögzítőgombja
- Állítható elülső vezetőlemez
- Támasztóbillincs
- 45°-os vezetőlemez
- Vezetőnyílás
- Asztali skála
- Szögkereső ablak
- Pad vezetősín
- Szögálló gomb
- Párhuzamvezető
- Párhuzamvezető karja

Rendeltetésszerű használat

Egy hatékony asztali körfűrész gép-, ferde- és keresztvágásokhoz használható. A gép szögmérőt és párhuzamvezetőt is tartalmaz. Kizárólag fa és fához hasonló anyagok vágásához használható. A Triton Workcentre TWX7 munkaállomással és tartozékaival használható.

A szerszám kicsomagolása

- Óvatosan csomagolja ki és ellenőrizze a szerszámot. Alaposan ismerkedjen meg az összes kezelőszervvel és funkcióval.
- Ellenőrizze, hogy a szerszám minden alkatrésze a helyén van és jó állapotú-e. Ha bármelyik alkatrész hiányzik vagy sérült, cseréltesse ki, mielőtt használni kezdi a szerszámot.

FONTOS: Olvassa el ezeket az utasításokat a Triton Workcentre munkaállomáshoz mellékelt használati útmutatókkal együtt.

Az oktató videó megtekintéséhez lépjen a www.tritontools.com weboldalra.

A használat előtt

FIGYELEM: Bármely tartozék felszerelése vagy cseréje, bármely modul behelyezése vagy eltávolítása, valamint beállítások elvégzése előtt mindig kapcsolja ki az asztali körfűrész, és tápcsatlakozóját húzza ki a hálózati aljzatból.

FIGYELEM: A fűrészlap kezelésekor MINDIG viseljen vágásálló védőkesztyűt. Ennek elmulasztása a kezelő sérüléséhez vezethet.

Modulszintező csavar felszerelése

- A szilárd, sík felületre helyezett fűrészasztal-modulra szerelje fel a modulszintező Bobbin csavarokat (23), a modulszintező csavarokat (28) és a modulgörgöket (11) az A ábrának megfelelően.

A modul fel- és leszerelése

FIGYELEM: A fűrészasztal-modul szállításkor használja a kezeknek kialakított nyílásokat (21).

Megjegyzés: A fűrészasztal-modul behelyezéséhez/eltávolításához a fűrészlapot (2) 45°-os helyzetbe kell állítani. A fűrészlap szögének módosításával kapcsolatban lásd „A fűrészlap beállítása” című fejezetet.

Modul felszerelése:

FIGYELEM: A fűrészasztal-modul fel- és leszerelése előtt süllyessze a fűrészlapot (2) biztonságos magasságba.

FIGYELEM: Egyes modulok nehezek, különösen akkor, ha elektromos szerszám van azokra szerelve. A modul megfogásakor MINDIG a kezeknek kialakított nyílásokat (21) használja, és vegyen fel stabil lábtartást, valamint egyenes testtartást. A modulok eltávolításakor és összeillesztésekor kerülje a hirtelen mozdulatokat.

FONTOS: A modulokat mindig óvatosan, a hűvelykujjak számára kialakított mindkét nyílás (20) segítségével engedje le. Az irányítatlan leengedés a Workcentre, a modul és az elektromos kéziszerszám megrongálódását, valamint a kezelő sérülését okozhatja.

FIGYELEM: Ne tegye az ujját és/vagy valamely testrészét a modul és a munkaállomás váza közé. Lásd a B. ábrát.

- Csúsztassa a modulgörgöket (11) a modultartó elemekbe, majd óvatosan süllyessze a modult a helyére a B ábrának megfelelően.
- Mindkét modulrögzítő reteszt állítsa zárt helyzetbe (C ábra).
- Megjegyzés: Ügyeljen arra, hogy a modulszintező Bobbin csavarok (23) megfelelően helyezkedjenek el az illesztőnyílásaikban. A modulszintező csavarokat (28) úgy kell beállítani, hogy megszüntessék a holtjátékot a modul és a munkaállomás váza között.

Modul eltávolítása:

- A modulrögzítő reteszeket állítsa nyitott helyzetbe. Az ujjnyílások segítségével emelje ki a modult a vázból, majd csúsztassa ki a modulgörgöket (11) a modultartó sínekből, lásd: B ábra.

Asztalmodulok szintezése

- Végezze el a modul szintezését a modulszintező Bobbin csavarok (23) és a modulszintező csavarok (28) állításával a D ábrán bemutatott sorrendnek megfelelően.
- Egy egyenes vonalzó segítségével ellenőrizze, hogy a modul szintben áll-e az asztallappal (az E ábrának megfelelően). Ha a modul továbbra sem áll szintben, ismételje meg a fenti eljárást.

Az asztali körfűrész modul összeszerelése

- Az asztali körfűrész modul összeszereléséhez kövesse az A-L ábrákat és az alábbi utasításokat.

Hasítókés felszerelése

FIGYELEM: Használat előtt ellenőrizze, hogy a hasítókés (6) megfelelően rögzített-e a helyén.

- Állítsa a fűrészlapot (2) 0°-os helyzetbe, majd emelje a fűrészlapot maximális magasságig a fűrészlapmagasság-állító hajtókarral (13).
- Lazítsa meg a réselőlap (25) bemeneti oldalánál található imbuszcsavart, majd a réselőlap szerelőnyílásán (22) keresztül oldja fel a lap rögzítését (F ábra).
- Illessze a hasítókést (6) a rögzítőleembe, majd szorítsa meg a rögzítógombot (34) a G ábra szerint.

Réselőlap szintezése

FIGYELEM: Használat előtt győződjön meg róla, hogy a réselőlap (25) felszerelése és szintezése megfelelő-e.

- A réselőlapot a réselőlap-szintezőcsavarok (24) állításával szintezze.
- Egyenes vonalzó segítségével ellenőrizze, hogy a réselőlap egy szintben van-e a környező asztalfelülettel. Ha a réselőlap nincs szintben, ismételje meg a fenti eljárást.

A fűrészlap beállítása

- A fűrészlap (2) ferdevágási szögének beállítása:

- Oldja fel a rögzítőkar zárását (19).
- A fűrészlap szögének módosításához forgassa el a ferdevágás szögének állítógombját (14).
- A fűrészlap szögének megállapításához használja a ferdevágás szögmérőjét (17).

- A fűrészlapmagasság-állító hajtókar (13) elforgatásával állítsa be a fűrészlap magasságát:

- az óramutató járásával megegyező irányba elforgatva emelheti a fűrészlapot
- az óramutató járásával ellentétes irányba elforgatva süllyesztheti a fűrészlapot

Fűrészlap kalibrálása

Megjegyzés: A fűrészlap (2) kalibrálásához tekintse meg a H ábrát.

- A fűrészlapmagasság-állító hajtókar (13) elforgatásával emelje a fűrészlapot a maximális magasságba.
- A ferdevágás szögének állítógombjával (14) úgy állítsa be a fűrészlapot, hogy merőleges legyen az asztallapra.
- Helyezzen egy derékszöget (nincs mellékelve) az asztallaphoz és a fűrészlaphoz.
- Lazítsa fel a 0°-os vágás állítócsavarját (16).
- Úgy állítsa be a fűrészlap szögét, hogy a fűrészlap párhuzamos legyen a derékszög élével.
- Lazítsa fel a szögkalibráló csavarokat (18), majd állítsa egy vonalba a piros mutatót a ferdevágás szögmérőjének (17) „0” jelzésével.
- Szorítsa meg a rögzítőkart (19), hogy a fűrészlapot ebben a helyzetben rögzítse.
- Szorítsa meg a 0°-os vágás állítócsavarját.
- Lazítsa fel a 45°-os vágás állítócsavarját (15).
- Állítsa a fűrészlapot 45°-os helyzetbe.
- Szorítsa meg a 45°-os állítócsavart, majd ellenőrizze, hogy 45° látható-e a ferdevágás szögmérőjén. Ismételje meg a 9-11. lépéseket, ha nem 45° látható a ferdevágás szögmérőjén a 45°-os állítócsavar megszorítása után.

Hasítókés beállítása

- Állítsa a fűrészlapot (2) 0°-os helyzetbe, majd emelje a fűrészlapot maximális magasságig a fűrészlapmagasság-állító hajtókarral (13).
- Lazítsa meg a réselőlap (25) bemeneti oldalánál található imbuszcsavart, majd a réselőlap szerelőnyílásán (22) keresztül oldja fel a lap rögzítését (F ábra) az eltávolításhoz.
- Lazítsa meg a hasítókés állítócsavarját (35) és a hasítókés rögzítőcsavarját (7).
- Helyezzen két egyenest, például vonalzót a fűrészlap és a hasítókés oldalához.
- Vegye el az egyeneseket, és szorítsa meg a hasítókés állítócsavarját, majd a hasítókés rögzítőcsavarját.
- Ellenőrizze, hogy a hasítókés egy vonalban áll-e a fűrészlappal. Ha a hasítókés nem áll egy vonalban, a pontos beállításg ismételje a 3-5. lépéseket.
- Helyezze vissza a réselőlapot, ha a hasítókés beállítása megfelelő.

Párhuzamvezető

- Hajtsa szét a párhuzamvezető karjait (52), majd csúsztassa a Workcentre munkapad vázának vezetőlemeibe (I ábra).
- A párhuzamvezető karjain skála látható. Amikor a párhuzamvezetőt helyzetjelzővel együtt használja, a szélesség pontosan leolvasható.

Szögmérő

- Lazítsa meg a pad rögzítő gombját (42), majd csúsztassa a pad vezetősínjét (49) a Workcentre vázának T alakú nyílásába (J ábra).
- Szorítsa meg úgy a pad rögzítógombját, hogy a szögmérő (41) szilárdan álljon.
- A szögbeállítás elvégezhető a szögálló gomb (50) kioldásával, majd a szögmérő kívánt szögbe történő elfordításával.
- A szög a szögkereső ablakban (48) olvasható le.
- Különböző méretű munkadarabok befogadásához módosítson az állítható elülső vezetőlemez elhelyezkedésén a két imbuszkulcs fellazításával.
- Ahhoz, hogy a 45°-os vezetőlemezt (45) precíz 45°-os vágás elvégzéséhez használhassa, fordítsa el a szögmérőt, és állítsa be a 0°-ot.

Porelvezetés

FIGYELEM: MINDIG használjon megfelelő porszívót vagy üzemi porelszívó rendszert.

- FIGYELEM:** Egyes természetes faanyagok, felületkezelő anyagok és kompozit anyagok porai mérgező hatásúak lehetnek. A káros por ártalmatlanításakor MINDIG kövesse a vonatkozó törvényeket és szabályozásokat.
- Miközben a porelvezetés bármilyen porszívóval megoldható, a háztartási (porzsákos) készülékek nagyon gyorsan megtelhetnek. A jóval nagyobb befogadóképesség érdekében vegye figyelembe a Triton porgyűjtő (DCA300) csatlakoztatását a porszívóhoz.
- Az asztali körfűrész és a porszívó együttes elektromos terhelése túllépheti a háztartás fali konnektorának vagy hosszabbító kábelének névleges áramerősségét. A porszívót és az asztali körfűrészét mindig csatlakoztassa különálló elektromos aljzatokhoz, és külön kapcsolja be a két készüléket.

Elektromos csatlakozások

Megjegyzés: A Workcentre munkaállomás főkapcsolóval ellátott hálózati aljzattal rendelkezik, hogy lehetővé tegye az elektromos kéziszerszámok egyszerű csatlakoztatását (K ábra).

- Csatlakoztassa a Workcentre munkaállomást a tápfeszültséghez a dugvilla segítségével.
- A hálózati aljzat segítségével csatlakoztassa az elektromos kéziszerszámokat a tápfeszültséghez.

- Az elektromos kéziszerszámokat a Workcentre kapcsolódobozához kell csatlakoztatni.
- Amennyiben szükséges, megfelelő hosszabbító kábel segítségével meghosszabbítható a munkaállomás saját hálózati kábele.

FIGYELEM: Kizárólag olyan hosszabbító kábeleket használjon, melyek jó állapotúak, és keresztmetszetük megfelelő az elektromos szerszám áramfelvételéhez. Az alumíniumezett hosszabbító kábel feszültségéset eredményez, ami teljesítménycsökkenést idéz elő, továbbá a szerszám motorjának túlmelegedését és kigyulladását okozhatja.

Használat

! FIGYELEM: MINDIG viseljen védőszemüveget, megfelelő pormaszkot, fülvédőt és munkavédelmi kesztyűt, amikor a géppel dolgozik.

FONTOS: Az asztali körfűrész modulon fel van tüntetve az adagolás iránya, mely a munkadarab vágásának helyes és legbiztonságosabb irányát jelzi.

FIGYELEM: Ne tegye labilissá a munkapadot túlzottan nagy munkadarabokkal.

FIGYELEM: Használat előtt ellenőrizze, hogy a réselőlap (25) felszerelése és szintezése megfelelő-e.

Megjegyzés: A Workcentre munkaállomás alkatrészeivel kapcsolatos, részletes tájékoztatásért és ábrákért olvassa el a TWX7 Workcentre munkaállomás eredeti használati útmutatóját.

A Workcentre munkaállomás kapcsolódobozának használata

FONTOS: A kapcsolódoboz bekapcsolásához egy élő elektromos hálózati kapcsolat megléte szükséges. A kapcsolódoboz K1 helyzetbe kapcsol, ha a tápfeszültség megszakad, és a munka folytatásához visszaállítást igényel BE állapotba, ha a tápfeszültség ismét megjelenik.

Be- és kikapcsolás

- A Workcentre munkaállomás ON/OFF (be/ki) kapcsolója a munkaállomás vázának elején található (K ábra).
- Csatlakoztassa a Workcentre hálózati dugvilláját egy fali aljzathoz, és állítsa BE helyzetbe a munkaállomás kapcsolóját.
- A Workcentre munkaállomás ON/OFF (Be/Ki) kapcsolóját állítsa „O” pozícióba a térdműködtetésű leállító kapcsoló stop gombjának megnyomásával.
- Csatlakoztassa az elektromos kéziszerszám dugaszát a munkaállomás kéziszerszámok részére kialakított hálózati aljzathoz.
- Az elektromos kéziszerszámot a BE/KI kapcsoló „I” helyzetbe állításával kapcsolja be.

- Kikapcsoláshoz nyomja meg a térdműködtetésű leállító kapcsoló gombját.

Megjegyzés: Amennyiben használat közben áramkimaradás lép fel, a készülék nem indul újra. A munkavégzés folytatásához újra meg kell nyomni a BE/KI kapcsolót.

A kezelő pozíciója és az adagolás iránya

- A kezelő fő pozícióját a térdműködtetésű leállító kapcsoló helyzete határozza meg.
- MINDIG maradjon a BE/KI kapcsoló közelében, hogy azonnal kikapcsolhassa a gépet vészhelyzet esetén.

- A munkadarabokat a modul asztallapján (29) található nyilakkal jelzett irányba adagolja.

Asztal toldatok használata (tartozékként állnak rendelkezésre)

- A (külön rendelhető) Workcentre kiadagoló támasztórudak (TWX7OS) és Workcentre oldalsó támasztórudak (TWX7SS) beállításával szilárdan alátámaszthatók a nagyobb munkadarabok. Az állításhoz lazítsa fel a kiadagoló támasztékának gombjait és/vagy az oldalsó támaszték gombjait, majd nyújtsa ki a megfelelő támasztórudat a munkadarab méretének megfelelően.

Szögmérő beállítása

Megjegyzés: A szögmérő (41) élettartamának megnövelése érdekében javasoljuk, hogy rögzítsen egy fadarabot a vezetőléchez.

- Helyezze a szögmérőt a T alakú nyílásba, majd lazítsa meg a pad rögzítő gombját (42) és a szögálló gombot (50).
- Állítsa be a szögmérő szögét, mely a szögkereső ablakban (48) olvasható le.
- A szögmérő T-alakú nyílásban való rögzítéséhez szilárdan húzza meg a szögálló gombot, miközben a pad rögzítő gombját csak addig szorítsa meg, míg ellenállást nem érezle.

- Amennyiben 45°-os szög szükséges:

- Vegye le a szögmérőt, majd szerelje vissza úgy, hogy az állítható elülső vezetőlemez sűrűlódjon.
- Ügyeljen arra, hogy „0” érték legyen leolvasható a szögkereső ablakban, majd szorítsa meg a szögálló gombot.
- A munkadarab rögzítéséhez használja a 45°-os vezetőlemezt (45).

Nyomópálca használata

FIGYELEM: A kisméretű munkadarabok vágása veszélyes lehet, és nyomópálca használatát igényli.

- A jelen termékhez egy nyomópalcát (38) mellékelünk. Azonban előfordulhat, hogy egynél több nyomópálca szükséges a munkadarab biztonságos elvágásához.

- Kis átmérőjű anyagok hasításakor több nyomópálca használata szükséges a fűrészlap (2) közelében levő munkadarab tartásához.

- Vágási műveletek

FIGYELEM: SOHA ne nyúljon a munkadarab fűrészlaphoz (2) közeli részéhez, ha a fűrészlap forog, vagy ha a gép be van kapcsolva. Ha nem így jár el, a munkadarab kirepülhet a gépből, és a kezelő sérülését okozhatja.

FIGYELEM: A kezeit mindig tartsa távol a fűrészlaptól és a vágási nyomvonaltól.

FIGYELEM: NE próbálja meg hátrahúzni a munkadarabot a vágási folyamat befejezése előtt; ehelyett kapcsolja ki a gépet, és a fűrészlap leállása után vegye ki a részlegesen elvágott munkadarabot.

FIGYELEM: Amennyiben olyan munkadarabot vág, melynek mérete meghaladja a Workcentre asztallapjának szélességét és/vagy hosszúságát, a munkadarab alátámasztása szükséges a (külön rendelhető) Workcentre kiadagoló támasztórúd (TWX7OS) és/vagy Workcentre oldalsó támasztórúd (TWX7SS) segítségével, melyek a Triton forgalmazóknál beszerezhetőek.

FIGYELEM: Ügyeljen arra, hogy a Workcentre munkaállomás szilárd, sík felületen legyen felállítva. MINDIG ellenőrizze a lábak stabilitását a Workcentre használatá előtt. A Workcentre egyetlen, instabil talajon való felállítása veszélyes, és a kezelő súlyos sérülését okozhatja.

Keresztvágás elvégzése

FIGYELEM: A levágott rész elrepülésének megakadályozására kerülje a munkadarab párhuzamvezetővel (51) történő korlátozását. A szögmérővel (41) támassza meg a munkadarabot a vágási művelet során.

- Amennyiben a munkadarab túllépi a Műszaki adatok c. fejezetben megadott méreteket, úgy állítsa be a támasztó elemeket, hogy megtámasszák a munkadarabot a vágás során.
- A párhuzamvezetőt úgy helyezze el, hogy ne érjen a munkadarab útvonalába. Állítsa a szögmérőt (41) a megfelelő szögbe, majd rögzítse abban a helyzetben.
- Úgy állítsa be a fűrészlapot, hogy a legmagasabb pont hozzávetőleg 3,2 mm-rel magasabban legyen, mint a munkadarab teteje.
- A fűrészlaphoz közelebbi kezével fogja szorosan a munkadarabot a szögmérőhöz, míg a másik, megtámasztást nyújtó kezét úgy helyezze el a munkadarabon, hogy a legtávolabb legyen a fűrészlaptól.
- Kapcsolja be az asztali körfűrészt, és várja meg, hogy a fűrészlap elérje az üzemi fordulatszámot.
- Miközben a 3. lépésnek megfelelően két kézzel megtámasztja a munkadarabot, lassan tolja azt a fűrészlaphoz.

Megjegyzés: A munkadarab levágott részének eltávolítása előtt kapcsolja ki a fűrészt, és várja meg, hogy a fűrészlap forgása leálljon.

Gérvágás elvégzése

- Amennyiben a munkadarab túllépi a Műszaki adatok c. fejezetben megadott méreteket, úgy állítsa be a támasztó elemeket, hogy megtámasszák a munkadarabot a vágás során.
- Állítsa a szögmérőt (41) a megfelelő szögbe. A szögmérő beállítására és kalibrálására vonatkozó tudnivalók a „Szögmérő beállítás” c. szakaszban találhatók.
- A vágási műveletre vonatkozó tudnivalók a „Keresztvágás elvégzése” c. szakaszban találhatók.

Hasító vágás elvégzése

FIGYELEM: Hasító vágásnál használja a párhuzamvezetőt (51), mert a szabad kézzel történő vágás veszélyes. Vágás előtt MINDIG ellenőrizze, hogy a párhuzamvezető szilárdan van-e rögzítve a helyén.

FIGYELEM: Hasító vágáskor és amikor lehetséges, tartsa kezét távol a fűrészlaptól (2), és használja a nyomópalcát (38) a munkadarab eltolásához, ha 152 mm-nél kisebb a távolság a párhuzamvezető és a fűrészlap között.

FIGYELEM: Vágási művelet közben SOHA ne húzza hátrafele a munkadarabot. Ehelyett kapcsolja ki a gépet, és a fűrészlap leállása után vegye ki a részlegesen elvágott munkadarabot.

- Amennyiben a munkadarab túllépi a Műszaki adatok c. fejezetben megadott méreteket, úgy állítsa be a támasztó elemeket, hogy megtámasszák a munkadarabot a vágás során.

- Állítsa be, majd rögzítse a párhuzamvezetőt a párhuzamvezető-szorítóelemekkel.
- Szerelje le a szögmérőt (41).
- Úgy állítsa be a fűrészlapot, hogy a legmagasabb pont hozzávetőleg 3,2 mm-rel magasabban legyen, mint a munkadarab teteje.
- Tartsa a munkadarabot stabilan a munkaasztalhoz és párhuzamvezetőhöz nyomva. Tartsa a munkadarabot legalább 25 mm távolságra a fűrészlaptól.
- Kapcsolja be az asztali körfűrészt, és várja meg, hogy a fűrészlap elérje az üzemi fordulatszámot.
- Miközben a párhuzamvezetőhöz és az asztalhoz nyomja a munkadarabot, lassan tolja azt a fűrészlaphoz. Egyenletes tolóerőt fejtsen ki mindaddig, míg a teljes munkadarab át nem halad a fűrészlapon. Az eltolás folytatásához használjon nyomópalcát (38) a munkadarab fűrészlapon való átvezetéséhez. ha a hátsó él 150 mm-nél kisebb távolságra van.

Hasító ferdevágás elvégzése

FIGYELEM: Hasító ferdevágásnál a párhuzamvezető (51) mindig a fűrészlap (2) jobb oldalán helyezkedjen el. A fűrészlap nem állhat szögben a párhuzamvezető irányába.

Megjegyzés: A művelet lépései megegyeznek a „Hasító ferdevágás elvégzése” c. szakasz lépéseivel, kivéve, hogy a fűrészlap szöge 0°-tól eltérő értékre van beállítva.

- Amennyiben a munkadarab túllépi a Műszaki adatok c. fejezetben megadott méreteket, úgy állítsa be a támasztó elemeket, hogy megtámasszák a munkadarabot a vágás során.

- Lazítsa meg a rögzítőkart (19), majd állítsa be a fűrészlap (2) szögét a ferdevágás szögének állítógombjával (14).
- A megfelelő szög beállítása után rögzítse a fűrészlapot a rögzítőkarral.
- Végezze el a vágást a „Hasító vágás elvégzése” c. szakasz utasításainak megfelelően.

Ferde keresztvágás elvégzése

Megjegyzés: A művelet lépései megegyeznek a „Keresztvágás elvégzése” c. szakasz lépéseivel, kivéve, hogy a szög 0°-tól eltérő értékre van beállítva.

- Amennyiben a munkadarab túllépi a Műszaki adatok c. fejezetben megadott méreteket, úgy állítsa be a támasztó elemeket, hogy megtámasszák a munkadarabot a vágás során.

- Lazítsa meg a rögzítőkart (19), majd állítsa be a fűrészlap (1) szögét a ferdevágás szögének állítógombjával (14).
- A megfelelő szög beállítása után rögzítse a beállítást a rögzítőkarral.
- Végezze el a vágást a „Keresztvágás elvégzése” c. szakasz utasításainak megfelelően.

Tartozékok

- A Triton forgalmazóknál a tartozékok széles választéka, többek között a robusztus szállítókészlet (TWX7RTK), az oldalsó támaszték (TWX7SS) és a kiadagoló támaszték (TWX7OS) áll rendelkezésre. A cserealkatrészek a Triton forgalmazóknál vagy a www.tools-paresonline.com weboldalon szerezhetőek be.

Karbantartás

FIGYELEM: Bármilyen tisztítás, tartozékcsere, beállítás vagy karbantartás elvégzése előtt MINDIG válassza le a Workcentre munkaállomást az elektromos hálózatról.

FIGYELEM: Tisztítás vagy karbantartás esetén MINDIG viseljen megfelelő személyi védőfelszerelést, többek között védőszemüveget és megfelelő vágásálló kesztyűt.

FIGYELEM: A fűrészlap (2) kezelésekor MINDIG viseljen megfelelő vágásálló védőkesztyűt. Ennek elmulasztása a kezelő sérüléséhez vezethet.

Fűrészlap cseréje

FIGYELEM: Kizárólag olyan fűrészlapot használjon, melynek maximális névleges fordulatszáma magasabb vagy egyenlő az elektromos kéziszerszám legnagyobb jelzett fordulatszámával. A névleges fordulatszámuknál magasabb sebességen üzemeltetett tartozékok eltérhetnek, és darabjaik szétrepülhetnek.

- Szerelje le a fűrészlap védőburkolatát (3) a hasítókésről (6). Ehhez távolítsa el a burkolatot a hasítókéshez rögzítő csavart.
 - Lazítsa meg a réselőlap (25) bemeneti oldalánál található imbuszcsavart, majd a réselőlap szerelőnyílásán keresztül oldja fel a lap rögzítését az eltávolításhoz (F ábra).
 - Oldja ki a rögzítőkart (19), majd emelje fel a tengelyt (32) a maximális magasságig a fűrészlapmagasság-állító hajtókar (13) óramutató járásával megegyező elforgatással.
 - Rögzítse a fűrészlapmagasság-állító hajtókart ebben a helyzetben a rögzítőkarral.
 - Szerelje ki a régi fűrészlapot (2). Ehhez rögzítse a tengelytartót (30) az 1. sz. többfunkciós szerszámmal (39), és közben távolítsa el a fűrészlapot biztosító anyát (31) a 2. sz. többfunkciós szerszámmal (40).
 - Helyezze az alátétárcsákat (33) az új fűrészlapra, majd illessze ezeket a tengelyre, lásd: I ábra.
- Megjegyzés: Ügyeljen arra, hogy a fűrészlap iránya megfelelő legyen. A fűrészlapon levő nyilnak ugyanarra kell mutatnia, mint a védőburkolatán levő nyilnak.
- Rögzítse a helyén az új fűrészlapot. Ehhez rögzítse a tengelytartót az 1. sz. többfunkciós szerszámmal, és közben szorítsa meg a fűrészlapot biztosító anyát a 2. sz. többfunkciós szerszámmal.
 - Szerelje vissza a réselőlapot és a fűrészlap védőburkolatát.

Réselőlap cseréje

FIGYELEM: Ha az asztali körfűrészt folyamatosan használják, a réselőlap állapota romolhat. A réselőlapnak mindig jó állapotban kell lennie. Szükség esetén cserélje.

- Szerelje le a fűrészlap védőburkolatát (3) a hasítókésről (6). Ehhez távolítsa el a burkolatot a hasítókéshez rögzítő csavart.
- Lazítsa meg a réselőlap (25) bemeneti oldalánál található imbuszcsavart, majd a réselőlap szerelőnyílásán (22) keresztül oldja fel a lap rögzítését (F ábra) az eltávolításhoz.
- Helyezze fel az új réselőlapot/ kopólemezt.
- Állítsa szintbe a réselőlapot. A részletes utasításokat lásd a „Réselőlap szintezése” c. szakaszban.
- Szerelje vissza a fűrészlap védőburkolatát.

Tisztítás

- Mindig tartsa tisztán a gépet. Szennyeződés és por hatására a belső alkatrészek kopása gyorsabb lesz, és lerövidül a gép élettartama. Tisztítsa meg a gép testét egy puha kefével vagy száraz ronggyal. Ha lehetséges, használjon tiszta, száraz, sűrített levegőt a szellőzőnyílások átútvatásához.

- A műanyag részek tisztításához soha ne használjon maró anyagot. Amennyiben a száraz tisztítás nem elegendő, enyhén mosogatószeres rongy használata javasolt.

- A szerszám soha nem érintkezhet vízzel.

- Használat előtt alaposan ellenőrizze, hogy a szerszám száraz-e.

Dugulás elhárítása

- Kapcsolja ki, és válassza le a szerszámot a hálózati feszültségről. Szerelje le a fűrészlap védőburkolatát (3) a hasítókésről (6). Ehhez távolítsa el a burkolatot a hasítókéshez rögzítő csavart.
- Lazítsa meg a réselőlap (25) bemeneti oldalánál található imbuszcsavart, majd a réselőlap szerelőnyílásán keresztül oldja fel a lap rögzítését az eltávolításhoz (F ábra).
- Távolítsa el a porelvezető panelt (12), valamint a porelvezető nyíláshoz (9) csatlakozó szívócsövet.
- Határozza meg az eltömődés helyét, és szüntesse meg az eltömődést.
- A dugulás megszüntetése után szerelje vissza a fűrészlapvédő burkolatot, a réselőlapot, a porelvezető panelt és a szívócsövet.

Kenés

- Az összes mozgó alkatrészt rendszeresen kenje meg teflon spray-vel, különösen erős igény-bevétel vagy tisztítás után.

FIGYELEM: NE használjon olaj vagy szilikon alapú kenőanyagot. A kenőanyag maradványai a fa porával összekeverednek és lerakódásokhoz vezetnek, valamint gátolják a mozgó alkatrészek és a mechanizmus működését. KIZÁRÓLAG vékony olajfilmet vigyen fel. Ehhez használjon teflon spray-t.

Tárolás

- Használat után tárolja ezt a szerszámot és a tartozékait a tartótáskájában, és egy biztonságos, száraz, gyermekek által nem elérhető helyen.

A készülék hulladékba helyezése

A már nem működőképes és javíthatatlan elektromos kéziszerszámok ártalmatlanítása során mindig tartsa be a nemzeti előírásokat.

- Ne dobja ki a leselejtezett elektromos kéziszerszámot vagy egyéb elektromos és elektronikus berendezést (WEEE) a háztartási hulladékkal együtt.

- Forduljon a helyi hulladékkezelési hatósághoz, hogy tájékozódjon az elektromos szerszámok ártalmatlanításának megfelelő módjáról.

Hibaelhárítás

Hibajelenség	Lehetséges ok	Megoldás
A gép nem reagál a Be/Ki kapcsoló működtetésére.	Nincs tápfeszültség.	Ellenőrizze a tápfeszültséget.
	Hibás Be/ki kapcsoló	A hibás Be/ki kapcsolót hivatalos Triton szervizben cseréltesse ki.
Gyenge vágási teljesítmény.	Hibás fűrészlap.	A fűrészlapot ki kell cserélni. A vonatkozó utasítások a „Fűrészlap cseréje” c. szakaszban található.
A vágások eltérnek a beállított értéktől.	A támasztó szögmérő (41) vagy a párhuzamvezető (51) nincs megfelelően megszorítva.	Szorítsa meg a vezetőelemeket úgy, hogy a munkadarab ne mozduljon el, ha nyomást fejt ki rá.
	A fűrészlap (2) nincs kalibrálva.	Kalibrálja a fűrészlapot a „Fűrészlap kalibrálása” c. szakaszban megfelelően.
	A szögmérőn (41) levő koptatófa nem nyújt elegendő megtámasztást.	Cserélje ki a koptatófát.

Jótállás

A jótállás regisztrálásához látogassa meg webhelyünket a www.tritontools.com címen, és adja meg adatait. Adatai bekerülnek a levelezési listánkba (kivéve, ha ezt másképpen adja meg), és tájékoztatjuk a későbbi kiadásokról. A megadott adatokat nem bocsátjuk harmadik fél rendelkezésére.

Vásárlási nyilvántartás

Vásárlás dátuma: ___ / ___ / ___

Típus: TWX7CS001 Örizze meg a vásárlást igazoló nyugtát.

EK Megfelelőségi nyilatkozat

Alulírott: Mr Darrell Morris

meghatalmazva az alábbi által: Triton

Kijelentem, hogy az alábbi

Azonosító kód: Asztali körfűrész-modul

Leírás: TWX7CS001

kielégíti az alább felsorolt irányelvek és szabványok előírásait:

- 2006/42/EC gépészeti irányelv
- 2014/30/EC EMC irányelv
- 2011/65/EU RoHS irányelv
- EN61029-1:2009+A11:2010
- EN61029-2:2012
- EN55014-1:2006+A1:2009+A2:2011
- EN55014-2:1997+A1:2001+A2:2008
- EN61000-3-2:2014
- EN61000-3-3:2013

A Triton Precíziós Szerszámgépek garantálják vásárlóinak, hogy bármely alkatrész anyaghibából vagy gyártási hibából, a vásárlás időpontjától számított 3 éven belül bekövetkezett meghibásodása esetén, a Triton ingyenesen megjavítja - vagy alapos megfontolás esetén kicseréli – a hibás alkatrészt.

Ez a garancia nem vonatkozik ipari jellegű használatra, továbbá általános jellegű kopásra, illetve a termék nem rendeltetésszerű használatából eredő meghibásodására.

*Regisztráljon az interneten 30 napon belül.

Vonatkozó feltételek és kikötések.

Nincs hatással a törvényben meghatározott jogaira.

Tanúsító testület: TÜV Rheinland

A műszaki dokumentációt tárolja: Triton

Dátum: 31/08/2016

Dátum:

Mr Darrell Morris

Igazgató

A gyártó neve és címe:

Powerbox International Limited, Company No. 06897059. Registered address: Powerbox, Boundary Way, Lufton Trading Estate, Yeovil, Somerset BA22 8HZ, United Kingdom.

Překlad originálního návodu

Úvod

Děkujeme za zakoupení výrobku Triton. Tento návod obsahuje nezbytné informace pro bezpečné používání a správnou funkci tohoto výrobku. Tento výrobek nabízí mnoho jedinečných funkcí. Je možné, že jste již s podobným výrobkem pracovali; přesto si důkladně přečtěte tento návod, abyste rozuměli pokynům. Ujistěte se, že všichni, kdo s výrobkem pracují, tento návod četli a porozuměli mu.

Použité symboly

Typový štítek na vašem nářadí může obsahovat symboly. Ty představují důležité informace o výrobku nebo pokyny k jeho použití.



Používejte chrániče sluchu
Používejte ochranné brýle
Používejte respirátory
Používejte ochrannou přilbu



Používejte ochranné rukavice



Přečtěte si návod



Pozor na zpětný ráz!



Varování: Ostré ostří nebo zuby!



Pouze pro použití vnitřně!



Nepoužívejte při dešti nebo ve vlhkém prostředí!



Pozor!



Nebezpečné výpary nebo plyny!



Nedotýkejte se! Neotevírejte ochranný kryt bez odpojení napájení. Při práci s elektrickým nářadím musí děti a přístojící stát mimo dosah nářadí. Při rozptýlení může dojít ke ztrátě kontroly. Všichni přístojící by měli stát v bezpečné vzdálenosti od pracovní plochy.



Nářadí vždy vypojte z elektrické sítě, pokud provádíte úpravy, měníte příslušenství, čistíte, provádíte údržbu a když nářadí nepoužíváte!



OCHRANA ŽIVOTNÍHO PROSTŘEDÍ

Nevyhazujte elektronářadí do domovního odpadu. Zařízení odevzdejte k recyklaci. V případě dotazů kontaktujte příslušný úřad nebo prodejce.

Technická data

Model:	TWX7CS001
Výkon:	1800 W
Otáčky naprázdno:	4500 otáček/min.
Karbidový kovový pilový kotouč:	odpovídá normě EN 847-1, 254 x 30 x 2,6 mm, 40 zubů
Rozměry nástavce stolní pily D x Š x V:	679 x 422 x 449 mm
Maximální délka podélných řezů:	775mm
Maximální hloubka řezu při 90°:	86 mm +/-1 mm
Maximální hloubka úhlového řezu při 45°:	59,5 mm +/-1 mm
Šířka nástavce s bočním rozšířením:	+600mm
Délka nástavce s rozšířením pro podávání materiálu:	+670mm
Maximální velikost materiálu D x Š:	851 x 775 mm (bez dodatečného bočního rozšíření a rozšíření pro podávání materiálu)
Velikost portu pro odsávání prachu:	64,5/ 32,6 mm
Hmotnost:	15 kg
Údaje o hluku a vibracích:	
Akustický tlak L _{PA} :	92,3dB(A)
Akustický výkon L _{WA} :	104,6dB(A)
Tolerance K:	2,5dB
Pokud úroveň hluku dle použití elektronářadí překročí 85 dB (A), je třeba přijmout ochranná hluková opatření.	

VAROVÁNÍ: Pokud hladina hluku přesáhne 85 dB(A), vždy noste chrániče sluchu a omezte dobu práce s elektronářadím. Pokud se hladina hluku stane nepříjemnou, i s chrániči sluchu, ihned přestaňte nářadí používat. Zkontrolujte, zda máte chrániče sluchu správně připevněné, aby mohly poskytovat potřebné snížení hladiny hluku, které elektronářadí vydává.

VAROVÁNÍ: Vystavení se vibracím elektronářadí může způsobit ztrátu vnímání dotyku, necitlivost rukou, mravenčení a/nebo omezenou schopnost uchopu. Dlouhodobé vystavení vibracím může obtíže změnit v chronický stav. Pokud je třeba, omezte čas, kdy jste vibracím vystaveni a používejte anti-vibrační rukavice. Elektronářadí nepoužívejte v prostředí s nižší než pokojovou teplotou, protože vibrace mohou mít větší efekt. Využijte hodnot uvedených v technických datech, abyste určili vhodnou délku práce a frekvenci práce s elektronářadím.

Úroveň hluku a vibrací byla změněna podle měřících metod normovaných v EN60745, příj. podobných mezinárodních standardů. Naměřené hodnoty odpovídají běžnému užití elektronářadí v běžných pracovních podmínkách. Špatně udržované, nesprávně složené nebo špatně používané nářadí může vytvářet vyšší hladiny hluku i vibrací. www.osha.europa.eu nabízí informace o úrovni hluku a vibrací v pracovním prostředí; tyto informace mohou být užitečné pro hobby uživatele, kteří používají přístroj častěji.

Vyvarování se zpětnému rázu

Poznámka: Zpětný ráz je náhlá reakce v důsledku zaseknutého, sevřeného nebo špatně vyrovnaného pilového kotouče, jež vede k tomu, že se nekontrolovaná pila nadzdvihne a pohybuje se z obrobku ven ve směru obsluhující osoby. Také může dojít k tomu, že dojde ke vtažení rukou do kotouče, čímž může dojít k závažnému poranění.

VAROVÁNÍ: Zpětný ráz je důsledek špatného nebo chybného použití pily. Lze mu vhodnými preventivními opatřeními, jak je následovně popsáno, zabránit.

- VŽDY používejte pilu s nainstalovaným rozvíracím klínem. NIKDY rozvírací klín neodstraňujte – jinak může řezaná mezera sevřít kotouč.
- NIKDY se nepokoušejte řezat s tupým nebo zkřiveným kotoučem. Vždy se ujistěte, že kotouč je vhodný pro materiál, který chcete řezat.
- VŽDY se ujistěte, že podélný doraz je umístěn vodorovně s kotoučem. Pokud bude podélný doraz směřovat ke kotouči, může dojít ke kontaktu materiálu se zadní stranou kotouče, což může materiál nekontrolovaně odhodit.
- NIKDY nepoužívejte podélný doraz a úhlový doraz dohromady. Toto může vést ke zpětnému rázu a závažnému poranění.
- Buďte OPATRNÍ, když řežete velké materiály. Ujistěte se, že velký materiál je dobře podepřen jak na vstupu, tak na výstupu materiálu.
- NEŘEŽTE oblé materiály nebo materiál, který nemůže na stole ležet rovně. Vyhňte se řezání zkrouceného nebo sukovitého dřeva.
- NEŘEŽTE vlhké dřevo – při řezání vzniká větší tření. Vlhké třísky se mohou na kotouči zachycovat a tím zvyšují pravděpodobnost zpětného rázu.
- VŽDY pilu držte pevně oběma rukama a paže dejte do takové polohy, ve které můžete zachytit sílu zpětného rázu.
- Držte se vždy stranou pilového kotouče, nikdy nedávejte pilový kotouč do jedné přímky s vaším tělem.
- NECOUVEJTE z řezu. Pokud potřebuje řez přerušit před dokončením, vypněte pilu, počkejte, dokud se kotouč úplně nezastaví a pak pilu z řezu vytáhněte.
- NEDOVOLTE, aby kousky řezaného materiálu padaly na ostří kotouče. Na stolní pile NEPROVÁDEJTE zanořovací řezy.
- VŽDY, když je to vhodné, používejte pomůcky pro posun materiálu u ostří kotouče. Používejte přítlačné hřebeny kdykoliv je to možné, abyste udrželi materiál na stole.

Popis dílů

- Zástrčka
- Pilový kotouč
- Kryt kotouče
- Port pro odsávání prachu na krytu kotouče
- Šroub pro utažení krytu
- Rozvírací klín
- Šroub pro utažení rozvíracího klínu
- Kryt uhlíku
- Port pro odsávání prachu
- Cívka pro vyrovnání nástavce
- Kolečko nástavce
- Panel pro odsávání hadici
- Kolečko pro nastavení výšky kotouče
- Nastavení úhlu zkosení
- Šroub nastavení 45°
- Šroub nastavení 0°
- Měřítko úhlu zkosení
- Šroub kalibrace úhlu
- Zajišťovací páčka
- Otvory pro palce
- Otvory pro ruce
- Přístupový otvor desky kryjící kotouč
- Vřetenový šroub pro vyrovnání nástavce
- Vyrovnávací šroub desky kryjící kotouč
- Deska kryjící kotouč
- Obětní deska
- Kolečko bočního nastavení
- Šroub pro vyrovnání nástavce
- Povrch nástavce
- Držák hřídele
- Matice zajišťující kotouč
- Hřídel
- Příruba kotouče
- Pojistný knoflík
- Šroub nastavení rozvíracího klínu
- Deska k přichycení
- Šroub k zajištění
- Pomůcka pro posouvání materiálu
- Multi-nářadí 1
- Multi- nářadí 2
- Úhломěr
- Zajišťující knoflík
- Nastavitelný čelní doraz
- Podpěrná konzola
- 45° úhlový doraz
- Úhlový otvor
- Měřítko úhlu
- Úhlový průzor

- Kolejnice
- Knoflík nastavení úhlu
- Podélný doraz
- Rameno podélného dorazu

Doporučené použití

Výkonný pilový stůl pro provádění příčných, podélných, zkosených a šikmých řezů. Obsahuje úhломěr a podélný doraz. Vhodný pouze pro řezání dřeva a materiálů, které mají podobné vlastnosti jako dřevo. Pro použití s Triton Pracovním centrem TWX7 a příslušenstvím.


Vybalení vašeho nářadí

- Nářadí opatrně vybalte a zkontrolujte. Seznamte se se všemi jeho vlastnostmi a funkcemi
- Ujistěte se, že v balení byly všechny díly a že jsou v pořádku. Pokud bude nějaký díl chybět nebo bude poškozen, nechte si tyto díly vyměnit předtím, než s nářadím začnete pracovat

DŮLEŽITÉ: Nezapomeňte si přečíst také návod k Pracovnímu centru Triton.

Pro instruktážní video přejděte na www.tritontools.com

Před použitím

 **VAROVÁNÍ:** Nářadí vždy vypněte a vypojte z elektrické sítě, pokud měníte nebo připevňujete příslušenství, vkládáte nebo odstraňujete nástavce anebo provádíte úpravy.

VAROVÁNÍ: VŽDY noste vhodné proti-prořezové rukavice, když pracujete s pilovým kotoučem. Pokud je nebudete mít, můžete si způsobit zranění.

Instalace šroubu pro vyrovnání nástavce

- Umístěte nástavec stolní pily na plochý povrch a nainstalujte vřetenové šrouby pro vyrovnání nástavce (23), šrouby pro vyrovnání nástavce (28) a kolečka nástavce (11), jak je znázorněno na obr. A

Instalace a odstranění nástavců

 **VAROVÁNÍ:** Při přemísťování nástavce stolní pily využijte otvory na ruce (21).


Poznámka: Abyste mohli vložit/vyjmout nástavec stolní pily, pilový kotouč (2) musí být v úhlu 45°. Viz. „Nastavení kotouče“ pro detailní postup, jak nastavit úhel kotouče.

Instalace nástavce:

VAROVÁNÍ: Snižte pilový kotouč (2) do bezpečné polohy, než budete instalovat nebo odstraňovat nástavec stolní pily.

VAROVÁNÍ: Některé nástavce jsou těžké, zvláště pokud je na nich připevněno elektrické nářadí. Pokud bude odstraňovat nebo instalovat nástavec, VŽDY uchopte nástavec oběma rukama a ujistěte se, že máte bezpečný postoj, stojíte vzpřímeně a vyvarujete se nepříjemným pohybům.

DŮLEŽITÉ: Nástavec vždy držte za oba otvory pro ruce (20). Nekontrolovaný pohyb směrem dolů může poškodit Pracovní centrum, nástavec pilového stolu i pilu anebo zranit obsluhu.

 **VAROVÁNÍ:** Mezi rám Pracovního centra a nástavec nedávejte prsty nebo jiné části těla, viz. obr. B.

- Nasuňte kolečka nástavce (11) do vodiček pro uchycení nástavce a opatrně vložte nástavec na místo, viz. obr. B

- Přepněte oba zámky nástavce do uzamčené polohy, viz. obr. C

- Poznámka: Ujistěte se, že vřetenové šrouby pro vyrovnání nástavce (23) jsou správně umístěny. Šrouby pro vyrovnání nástavce musí být nastavené tak, aby mezi nástavcem a rámem Pracovního centra nebyla žádná vůle.

Odstranění nástavce:

- Přepněte zámky nástavce do odemčené polohy. Zvedněte nástavec z rámu pomocí otvorů pro palce a pomocí koleček nástavce (11) vysuňte nástavec z vodiček pro uchycení nástavce, viz. obr. B

Vyrovnání nástavců

- Vyrovnejte nástavec pomocí vřetenových šroubů pro vyrovnání nástavce (23) a šroubu pro vyrovnání nástavce (28), v takovém pořadí, jaké je ukázáno na obr. D

- Zkontrolujte, že nástavec je v rovině s rámem, pomocí pravítka, jak je znázorněno na obr. E. Pokud nástavec stále není v rovině, opakujte výše popsany postup

Smontování nástavce stolní pily

- Pro sestavení nástavce stolní pily použijte obrázky A až L a dále informace, které jsou uvedené níže.

Instalace rozvíracího klínu

VAROVÁNÍ: Ujistěte se, že rozvírací klín (6) je před použitím správně zajištěn v pozici.

- Pilový kotouč (2) mějte v pozici 0°; pomocí kolečka pro nastavení výšky kotouče (13) zvedněte kotouč do maximální výšky
- Povolte šestistranný šroub, který je umístěn na vstupní části desky kryjící kotouč (25); použijte přístupový otvor desky (22), abyste desku vyjmuli, viz. obr. F
- Vložte rozvírací klín (6) do upínacího držáku a utáhněte pojistným knoflíkem (34), viz. obr. G

Vyrovnání desky kryjící kotouč

VAROVÁNÍ: Před každým použitím se ujistěte, že deska kryjící kotouč (25) je nainstalována a správně vyrovnána

- Pomocí vyrovnávacích šroubů desky kryjící kotouč (24) vyrovnejte desku
- Pomocí pravítka zkontrolujte, zda je deska v rovině s povrchem nástavce. Pokud není deska stále v rovině, opakujte výše popsany postup

Nastavení kotouče

- Pro nastavení úhlu zkosení pilového kotouče (2):

- Povolte zajišťovací páčku (19)
 - Pootočte nastavením úhlu zkosení (14), abyste upravili úhel kotouče
 - Použijte měřítko úhlu zkosení (17), abyste určili úhel kotouče
- Výšku kotouče nastavte pootočením kolečka pro nastavení výšky kotouče (13):
 - Ve směru hodinových ručiček pro zvýšení polohy kotouče

- Zapněte stolní pilu a počkejte, dokud kotouč nedosáhne plné rychlosti
- Zatímco tlačíte materiál na desku a proti podélnému dorazu, pomalu posouvajte materiál přes pilový kotouč. Dokud neprořiznete celý materiál, jemně tlačte materiál přes pilový kotouč. Použijte pomůcku pro posun materiálu (38), pokud je odřezávaný kraj méně než 150 mm od kotouče.

Provádění podélných zkosených řezů

VAROVÁNÍ: Když provádíte podélný zkosený řez, vždy se ujistěte, že podélný doraz (51) je napravo od pilového kotouče (2). Pilový kotouč by nikdy neměl směřovat k podélnému dorazu.

Poznámka: Postup je stejný jako v případě provádění podélných řezů s výjimkou, že úhel pilového kotouče je nastavený na vyšší hodnotu než 0°.

- Pokud je materiál větší, než je uvedeno v „Technických údajích“, použijte vhodnou podpěru, aby byl materiál během obrábění bezpečně podepřen
- Odjistěte zajišťovací páčku (19) a nastavte úhel kotouče (2) pomocí nastavení úhlu zkosení (14)
 - Když máte úhel nastaven, zajistěte kotouč v pozici pomocí zajišťovací páčky
 - Postupujte dle popisu v části „Provádění podélných řezů“

Provádění příčných zkosených řezů

Poznámka: Postup je stejný jako v případě provádění příčných řezů s výjimkou, že úhel pilového kotouče je nastavený na vyšší hodnotu než 0°.

- Pokud je materiál větší, než je uvedeno v „Technických údajích“, použijte vhodnou podpěru, aby byl materiál během obrábění bezpečně podepřen
- Odjistěte zajišťovací páčku (19) a nastavte úhel kotouče (2) pomocí nastavení úhlu zkosení (14)
 - Když máte úhel nastaven, zajistěte kotouč v pozici pomocí zajišťovací páčky
 - Postupujte dle popisu v části „Provádění zkosených řezů“

Příslušenství

- Řada volitelného příslušenství, jako např. Robustní přepravní sada (TWX7RTK), Podpěra pro výstup materiálu (TWX7OS) a Boční podpěra (TWX7SS) je k dispozici u vašeho prodejce Triton. Náhradní díly si můžete zakoupit u svého prodejce Triton a nebo online na www.toolsparsonline.com

Údržba

VAROVÁNÍ: Než začnete čistit Pracovní centrum, měnit příslušenství, provádět úpravy nebo provádět údržbu, VŽDY Pracovní centrum odpojte ze sítě

VAROVÁNÍ: VŽDY noste osobní ochranné pomůcky včetně ochranných brýlí a vhodných proti-profezových rukavic, když nářadí čistíte nebo provádíte údržbu

VAROVÁNÍ: VŽDY noste vhodné proti-profezové rukavice, když pracujete s pilovým kotoučem (2). Pokud je nebudete mít, můžete si přivodit řezné poranění nebo jiný úraz.

Výměna pilového kotouče

VAROVÁNÍ: Rychlost pilového kotouče musí být minimálně stejná jako maximální rychlost uvedená na elektronářadí. Příslušenství, které rotuje rychleji, než je jeho daná rychlost, se může rozlomit a rozletět na kousky.

- Odstraňte kryt kotouče (3) od rozvíracího klínu (6) odstraněním šroubu zajišťujícího kryt k rozvíracímu klínu
- Uvolněte šestihřanný šroub, který je umístěn na vstupní straně desky kryjící kotouč (25) a použijte přístupový otvor desky kryjící kotouč pro vyzvednutí desky, viz. obr. F
- Odjistěte zajišťovací páčku (19), zvedněte hřídel (32) do maximální výšky tím, že kolečko pro nastavení výšky kotouče (13) budete otáčet po směru hodinových ručiček
- Kolečko pro nastavení výšky kotouče (13) zajistěte v pozici pomocí zajišťovací páčky
- Odstraňte starý pilový kotouč (2) – zajistěte držák hřídele multi-nářadím 1 (39), zatímco multi-nářadím 2 (40) odšroubujete matici zajišťující kotouč (31)
- Obě poloviny příruby kotouče (33) umístěte na nový kotouč, poté kotouč nasuňte na hřídel, viz. obr. L

Poznámka: Ujistěte se, že pilový kotouč je nasazen ve správném směru. Šipka, kterou najdete na kotouči, musí mířit stejným směrem jako šipka na krytu kotouče.

- Utáhněte nový pilový kotouč - držák hřídele zajistěte multi-nářadím 1 (39), zatímco multi-nářadím 2 (40) utáhnete matici zajišťující kotouč (31)
- Znovu nasadte desku kryjící kotouč a kryt kotouče

Výměna desky kryjící kotouč

VAROVÁNÍ: Pokud stolní pilu často používáte, může dojít k opotřebení desky kryjící kotouč. Deska kryjící kotouč musí být stále v dobrém stavu. Pokud je třeba, vyměňte ji.

- Odstraňte kryt kotouče (3) od rozvíracího klínu (6) odstraněním šroubu zajišťujícího kryt k rozvíracímu klínu
- Uvolněte šestihřanný šroub, který je umístěn na vstupní straně desky kryjící kotouč (25) a použijte přístupový otvor desky kryjící kotouč pro vyzvednutí desky, viz. obr. F
- Nainstalujte novou desku kryjící kotouč a/nebo obětní desku
- Vyrovnejte novou desku kryjící kotouč, viz. „Vyrovnaní desky kryjící kotouč“
- Kryt kotouče nasadte zpět

Čištění

- Nářadí udržujte vždy čisté. Špína a prach způsobí, že se vnitřní součástky rychle opotřebují a zkrátí se tak životnost nářadí. Tělo nářadí čistěte jemným kartáčem nebo suchým hadříkem. Pokud máte k dispozici čistý a suchý stlačený vzduch, profoukněte jím ventilační otvory
- Nikdy nepoužívejte leptavé látky pro očištění plastových povrchů. Pokud čištění na sucho není dostatečné, použijte navlhčený hadřík s jemným saponátem
- Voda nikdy nesmí přijít do kontaktu s nářadím
- Před použitím se ujistěte, že nářadí je důkladně vysušené

Čištění napečených nečistot

- Nářadí vypněte a vypojte z elektrické sítě. Odstraňte kryt kotouče (3) od rozvíracího klínu (6) odstraněním šroubu zajišťujícího kryt k rozvíracímu klínu
- Uvolněte šestihřanný šroub, který je umístěn na vstupní straně desky kryjící kotouč (25) a použijte přístupový otvor desky kryjící kotouč pro vyzvednutí desky, viz. obr. F
- Odstraňte panel pro odsávací hadici (12) a příp. připojení k vysavači, které je připojeno k portu pro odsávání prachu (9)

- Najděte a odstraňte napečené nečistoty

- Znovu nasadte kryt kotouče, desku kryjící kotouč, panel pro odsávací hadici a připojení k vysavači

Promazávání

- Všechny pohyblivé části pravidelně promazávejte PTFE sprejem, zvláště po náročném projektu nebo čištění

VAROVÁNÍ: NEPROMAZÁVEJTE spreji na bázi oleje nebo silikonu. Zbytky lubrikantu se spojí s dřevem a prachem a dojde k usazování nečistot v pohyblivých částech nářadí. Používejte POUZE suchý lubrikant, PTFE sprej.

Skladování

- Toto nářadí uchovávejte na bezpečném, suchém místě mimo dosah dětí

Likvidace

Vždy dbejte místních zákonů, pokud potřebujete přístroj zlikvidovat, protože již nefunguje a není možné ho opravit.

- Nevyhazujte elektronářadí nebo jiný elektroodpad (WEEE) do domovního odpadu
- V případě dotazů kontaktujte příslušný úřad pro bližší informace o likvidaci elektrozařízení

Řešení problémů

Problém	Možná příčina	Solution
Po stisku spínače se nic neděje	Nejde elektřina	Zkontrolujte dodávku elektřiny
	Vadný spínač	Nechejte si vyměnit spínač v certifikovaném servisním středisku Triton
Špatná kvalita řezání	Vadný kotouč	Kotouč je třeba vyměnit, více viz. část „Výměna pilového kotouče“
Řezy neodpovídají měření	Úhломěr (41) nebo podélný doraz (51) není správně připevněn	Znovu-utáhněte dorazy a ujistěte se, že při tlaku pevně drží
	Pilový kotouč (2) není zkalibrován	Zkalibrujte kotouč pomocí kroků pospaných v části „Kalibrace pilového kotouče“
	Kousek dřeva nebo úhломěr (41) už neposkytují dostatečnou oporu	Vyměřte kousek dřeva za jiný

Záruka

Pro registraci záruky navštivte naše webové stránky www.tritontools.com* a zadejte informace o výrobku. Vaše údaje budou uloženy (pokud tuto možnost nezakážete) a budou vám zasílány novinky. Vaše údaje neposkytneme žádné třetí straně.

Záznam o nákupu

Datum pořízení: ___ / ___ / ___
Model: TWX7CS001

CE Prohlášení o shodě

Níže podepsaný: pan Darrell Morris
zplnomocněný: Triton

prohlašuje, že

Výrobek číslo: Nástavec stolní pily

Popis: TWX7CS001

Byl uveden na trh ve shodě se základními požadavky a příslušnými ustanoveními následujících směrnic:

- Směrnice o bezpečnosti strojních zařízení 2006/42/EC
- Směrnice o technických požadavcích na výrobky z hlediska jejich elektromagnetické kompatibility 2014/30/EC
- Směrnice RoHS 2011/65/EU
- EN61029-1:2009+A11:2010
- EN61029-2:2012
- EN55014-1:2006+A1:2009+A2:2011
- EN55014-2:1997+A1:2001+A2:2008
- EN61000-3-2:2014
- EN61000-3-3:2013

Kupní doklad uschovejte jako potvrzení zakoupení výrobku. Pokud se během 3-leté ode dne nákupu objeví závada výrobku společnosti Triton Precision Power Tools, která byla způsobena vadou materiálu nebo vadným zpracováním, Triton opraví nebo vymění vadný díl zdarma.

Tato záruka se nevztahuje na výrobky, které budou používány pro komerční účely, a dále na poškození, které je způsobeno neodborným použitím nebo mechanickým poškozením výrobku.

* Registrujte se během 30 dní od nákupu.

Změna podmínek vyhrazena.

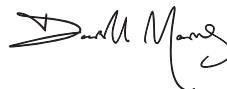
Těmito podmínkami nejsou dotčena vaše zákonná práva.

Notifikovaná osoba: TÜV Rheinland

Technická dokumentace je uložena u: Triton

Datum: 31/08/2016

Podpis:



Mr Darrell Morris

Výkonný ředitel

Jméno a adresa výrobce:

Powerbox International Limited, Company No. 06897059. Registrovaná adresa: Powerbox, Boundary Way, Lufton Trading Estate, Yeovil, Somerset BA22 8HZ, United Kingdom.

Úvod

Ďakujeme za zakúpenie výrobku Triton, tento manuál obsahuje informácie nutné k bezpečnému používaniu a správemu fungovaniu tohto výrobku. Tento výrobok ponúka mnoho jedinečných funkcií. Je možné, že ste už s podobným výrobkom pracovali, napriek tomu si však prečítajte tento manuál, aby ste naplno pochopili všetky inštrukcie. Uistite sa, že každý, kto s výrobkom pracuje, si tento manuál prečítal a porozumel mu.

Použitie symboly

Typový štítok na vašom náradi môže obsahovať symboly. Tie predstavujú dôležité informácie o výrobku alebo pokyny na jeho použitie.

Použitie symboly



Používajte chrániče sluchu
Používajte ochranné brýle
Používajte respirátory
Používajte ochrannou prilbu



Používajte ochranné rukavice



Přečtete si návod



Pozor na zpětný ráz!



Varovanie: Ostré ostrie alebo zuby!



Výhradne na vnútorné použitie!



Nepoužívajte v daždi alebo vo vlhkom prostredí!



Pozor!



Nebezpečné výpary alebo plyny!



Nedotýkajte sa! Neotvárajte ochranný kryt bez odpojenia napájania. Pri práci s elektrickým náradím musia deti a okolostojaci stáť mimo dosahu náradia. Pri rozptýlení môže dôjsť k strate kontroly. Všetci okolostojaci by mali stáť v bezpečnej vzdialenosti od pracovnej plochy.



Náradie vždy vypojte z elektrickej siete, ak vykonávate úpravy, meníte príslušenstvo, čistíte, vykonávate údržbu a keď náradie nepoužívate!



Ochrana životného prostredia
Nevyhadzujte elektronáradie do domového odpadu. Zariadenie odovzdajte na recykliáciu. V prípade otázok kontaktujte príslušný úrad alebo predajcu.

Technické informácie

Model:	TWX7CS001
Výkon:	1800 W
Otáčky naprázdno:	4500 otáčok/min.
Karbidový kovový pilový kotúč:	zodpovedá norme EN 847-1, 254 x 30 x 2,6 mm, 40 zubov
Rozmery nadstavce stolnej pily D x Š x V:	679 x 422 x 449 mm
Maximálna dĺžka pozdĺžnych rezov	775mm
Maximálna hĺbka rezu pri 90°:	86 mm +/- 1 mm
Maximálna hĺbka uhlového rezu pri 45°:	59,5 mm +/- 1 mm
Šírka nadstavca s bočným rozšírením:	+600mm
Dĺžka nadstavca s rozšírením pre podávanie materiálu:	+670mm
Maximálna veľkosť materiálu D x Š:	851 x 775 mm (bez dodatočného bočného rozšírenia a rozšírenia pre podávanie materiálu)
Veľkosť portu pre odsávanie prachu:	64,5/ 32,6 mm
Hmotnosť:	15 kg
Údaje o hluku a vibráciách:	
Akustický tlak L _{PA} :	92,3 dB(A)
Akustický výkon L _{WA} :	104, 6dB(A)
Tolerancia K:	2,5 dB
Pokiaľ úroveň hluku podľa použitého elektronáradia prekročí 85 dB(A), je treba prijať ochranné protihlukové opatrenia.	

VAROVANIE: Ak hladina hluku presiahne 85 dB(A), vždy noste chrániče sluchu a obmedzte dobu práce s elektronáradím. Pokiaľ sa hladina hluku stane nepríjemnou aj s chráničmi sluchu, ihneď prestaňte náradie používať. Skontrolujte, či máte chrániče sluchu správne pripevnené, aby mohli poskytovať potrebné zníženie hladiny hluku, ktoré elektronáradie vydáva.

VAROVANIE: Vystavenie sa vibráciám elektronáradia môže spôsobiť stratu vnímania dotyku, necitlivosť rúk, mravčenie a/alebo obmedzenú schopnosť úchopu. Dlhodobé vystavenie sa vibráciám môže tieto problémy zmeniť na chronický stav. Ak je treba, obmedzte čas, kedy ste vibráciám vystavení a používajte anti-vibračné rukavice. Elektronáradie nepoužívajte v prostredí s teplotou nižšou než je izbová teplota, pretože vibrácie môžu mať väčší efekt. Využite hodnoty uvedené v technických informáciách, aby ste určili vhodnú dobu práce a frekvenciu práce s elektronáradím.

Úroveň hluku a vibrácií bola zmeraná podľa meracích metód normovaných v EN60745, príp. podobných medzinárodných štandardov. Namerané hodnoty zodpovedajú bežnému používaniu elektronáradia v bežných pracovných podmienkach. Nevhodne udržiavané, nesprávne zložené alebo nesprávne používané náradie môže vytvárať vyššie hladiny hluku a vibrácií. www.osha.europa.eu ponúka informácie o úrovni hluku a vibrácií v pracovnom prostredí; tieto informácie môžu byť užitočné pre hobby používateľov, ktorí používajú prístroj častejšie.

Vyvarovanie sa spätného rázu

Poznámka: Spätňý ráz je náhla reakcia v dôsledku zaseknutého, zovretého alebo zle vyrovnaného pilového kotúča, ktorá vedie k tomu, že sa nekontrolovaná píla nadvihne a pohybuje sa z obrobku von v smere obsluhujúcej osoby. Tiež môže dôjsť k tomu, že dôjde ku vtiahnutiu rukou do kotúča, čím môže dôjsť k závažnému poraneniu.

VAROVANIE: Spätňý ráz je dôsledok zlého alebo chybného použitia píly. Dá sa mu zabrániť vhodnými preventívnymi opatreniami, ako je popísané nižšie.

- VŽDY používajte pílu s nainštalovaným roztváracím klinom. NIKDY roztvárací klin neodstraňujte - inak môže rezaná medzera zovrieť kotúč.
- NIKDY sa nepokúšajte rezať s tupým alebo zakriveným kotúčom. Vždy sa uistite, že kotúč je vhodný pre materiál, ktorý chcete rezať.
- VŽDY sa uistite, že pozdĺžny doraz je umiestnený vodorovne s kotúčom. Pokiaľ bude pozdĺžny doraz smerovať ku kotúču, môže dôjsť ku kontaktu materiálu so zadnou stranou kotúča, čo môže materiál nekontrolovane odhodiť.
- NIKDY nepoužívajte pozdĺžny doraz a uhlový doraz dohromady. Toto môže viesť k spätnému rázu a závažnému poraneniu.
- Buďte opatrní, keď režete veľké materiály. Uistite sa, že veľký materiál je dobre podopretý ako na vstupe, tak na výstupe materiálu.
- NEREŽTE oblé materiály alebo materiál, ktorý nemôže na stole ležať rovno. Vyhňte sa rezanie skrúteného alebo sukovitého dreva.
- NEREŽTE vlhké drevo - pri rezaní vzniká väčšie trenie. Vlhké triesky sa môžu na kotúči zachytávať a tým zvyšujú pravdepodobnosť spätného rázu.
- VŽDY pílu držte pevne oboma rukami a paže dajte do takej polohy, v ktorej môžete zachytiť silu spätného rázu.
- Držte sa vždy stranou pilového kotúča, nikdy nedávajte pilový kotúč do jednej priamky s vašim telom.
- NECÚVAJTE z rezu. Ak potrebuje rez prerušiť pred dokončením, vypnite pílu, počkajte, kým sa kotúč úplne nezastaví a potom pílu z rezu vytiahnite.
- NEDOVLTE, aby kúsky rezaného materiálu padali na ostrie kotúča. Na stolnej pile NEVYKONÁVAJTE zanorovacie rezy.
- VŽDY, keď je to vhodné, používajte pomôcky pre posun materiálu u ostrie kotúča. Používajte prítlačné hrebene kedykoľvek je to možné, aby ste udržali materiál na stole.

Popis dielov

- Zástrčka
- Pilový kotúč
- Kryt kotúča
- Port pre odsávanie prachu na kryte kotúča
- Skrutka pre utiahnutie krytu
- Roztvárací klin
- Skrutka pre utiahnutie roztváracieho klina
- Kryt uhlika
- Port pre odsávanie prachu
- Cievka pre vyrovnanie nadstavce
- Koliesko nadstavce
- Panel pre odsávaciu hadicu
- Koliesko pre nastavenie výšky kotúča
- Nastavenie uhla skosenia
- Skrutka nastavenia 45°
- Skrutka nastavenie 0°
- Mierka uhla skosenia
- Skrutka kalibrácie uhla
- Zaisťovacia páčka
- Otvory pre palce
- Otvory pre ruky
- Prístupový otvor dosky kryjúci kotúč
- Vretenová skrutka pre vyrovnanie nadstavce
- Vyrovňavacia skrutka dosky kryjúci kotúč
- Doska kryjúca kotúč
- Obetná doska
- Koliesko bočného nastavenia
- Skrutka pre vyrovnanie nadstavce
- Povrch nadstavce
- Držiak hriadeľa
- Matica zaisťujúca kotúč
- Hriadeľ
- Príruba kotúča
- Poistný gombík
- Skrutka nastavenie roztváracieho klina
- Doska na prichytenie
- Skrutka na zabezpečenie
- Pomôcka pre posúvanie materiálu
- Multi-náradie 1
- Multi- náradie 2
- Uhlomer
- Zaisťujúci gombík
- Nastaviteľný čelný doraz
- Podperná konzola
- 45° uhlový doraz
- Uhlový otvor
- Mierka uhla
- Uhlový priezor
- Kolajnice

- Gombík nastavenie uhlu
- Pozdĺžny doraz
- Rameno pozdĺžneho dorazu

Odporúčané použitie

- Výkonný pilový stôl pre vykonávanie priečných, pozdĺžnych, skosených a šikmých rezov. Obsahuje uhlomer a pozdĺžny doraz. Vhodný len pre rezanie dreva a materiálov, ktoré majú podobné vlastnosti ako drevo. Pre použitie s Triton Pracovným centrom TWX7 a príslušenstvom.

Vybalenie vášho náradia

- Náradie opatrne vybalte a skontrolujte. Oboznámte sa so všetkými jeho vlastnosťami a funkciami.
- Uistite sa, že v balení boli všetky diely a že sú v poriadku. Pokiaľ by niektorý diel chýbal alebo bol poškodený, nechajte si tento diel vymeniť pred tým, než s náradím začnete pracovať.

DÔLEŽITÉ: Nezapadnite si prečítať aj návod k Pracovnému centru Triton.

Pre inštruktážne video prejdite na www.tritontools.com

Pred použitím

VAROVANIE: Náradie vždy vypnite a vypojte z elektrickej siete, pokiaľ meníte alebo pripieňujete príslušenstvo, vkladáte alebo odstraňujete nadstavce alebo vykonávate úpravy.

VAROVANIE: VŽDY noste vhodné proti-prorozové rukavice, keď pracujete s pilovým kotúčom. Ak ich nebudete mať, môžete si spôsobiť zranenie.

Inštalácia skrutky pre vyrovnanie nadstavca

- Umiestnite pilový stôl na plochý povrch a nainštalujte vretenové skrutky na vyrovnanie nadstavca (23), skrutky na vyrovnanie nadstavca (28) a kolieska nadstavce (11) ako je znázornené na obr. A

Inštalácia a odstránenie nadstavcov

VAROVANIE: Pri premiestňovaní nadstavca stolové píly využívajte otvory na ruky (21).

Poznámka: Aby ste mohli vložiť/vybrať nadstavec stolové píly, pilový kotúč (2) musí byť v uhle 45°. Viď. "Nastavenie kotúče" pre detailný postup, ako nastaviť uhol kotúča.

Inštalácia nadstavca:

VAROVANIE: Znížte pilový kotúč (2) do bezpečnej polohy, než budete inštalovať alebo odstraňovať nadstavec stolové píly.

VAROVANIE: Niektoré nadstavce sú ťažké, najmä ak je na nich pripieňené elektrické náradie. Pokiaľ budete odstraňovať alebo inštalovať nadstavec, VŽDY uchopte nadstavec oboma rukami a uistite sa, že máte bezpečný postoj, stojíte vzpriamene a vyvarujte sa nepríjemným pohybom.

DÔLEŽITÉ: Nadstavec vždy držte za oba otvory pre ruky (20). Nekontrolovaný pohyb smerom nadol môže poškodiť Pracovné centrum, nadstavec pilového stola aj pílu alebo zraníť obsluhu.

VAROVANIE: Medzi rám Pracovného centra a nástavec nedávajte prsty alebo iné časti tela, viď. obr. B.

- Nasuňte kolieska nadstavca (11) do vodičok pre uchytenie nadstavca (21) a opatrne vložte nástavec na miesto, viď. obr. B

- Prepnite oba zámky nadstavca do uzamknutej polohy, viď. obr. C

Poznámka: Uistite sa, že vretenové skrutky na vyrovnanie nadstavca (23) sú správne umiestnené. Vretenové skrutky na vyrovnanie nadstavca (28) musí byť nastavené tak, aby medzi nadstavcom a rámom Pracovného centra nebola žiadna vôľa.

Odstránení nástavce:

- Prepnite zámky nástavce do odemčené polohy. Zvedňte nástavec z rámu pomocí otvorú pro palce a pomocí koleček nástavce (11) vysuňte nástavec z vodičok pro uchycení nástavce, viz. obr. B

Vyrovnanie nadstavcov

- Vyrovnať nadstavec pomocou vretenových skrutiek pre vyrovnanie nadstavce (23) a skrutky pre vyrovnanie nadstavce (28), v takom poradí, aké je ukázané na obr. D
- Skontrolujte, že nadstavec je v rovine s rámom, pomocou pravítka, ako je znázornené na obr. E. Ak nadstavec stále nie je v rovine, opakujte vyššie opísaný postup

Zmontovanie nadstavca stolové píly

- Pre zostavenie nadstavca stolové píly použite obrázky A až L a ďalej informácie, ktoré sú uvedené nižšie.

Inštalácia roztváracieho klina

VAROVANIE: Uistite sa, že roztvárací klin (6) je pred použitím správne zaistený v pozícii.

- Pilový kotúč (2) majte v pozícii 0°; pomocou kolieska pre nastavenie výšky kotúča (13) zdvihnite kotúč do maximálnej výšky
- Povoľte šesťstrannú skrutku, ktorá je umiestnená na vstupnej časti dosky kryjúci kotúč (25); použite prístupový otvor dosky (22), aby ste dosku vybrali, viď. obr. F
- Vložte roztvárací klin (6) do upínacieho držiaka a utiahnite poistným gombíkom (34), viď. obr. G

Vyrovnanie dosky kryjúci kotúč

VAROVANIE: Pred každým použitím sa uistite, že doska kryjúci kotúč (25) je nainštalovaná a správne vyrovnaná

- Pomocou vyrovnávacích skrutiek dosky kryjúci kotúč (24) vyrovnať dosku
- Pomocou pravítka skontrolujte, či je doska v rovine s povrchom nadstavca. Ak nie je doska stále v rovine, opakujte vyššie popísaný postup

Nastavenie kotúča

- Pre nastavenie uhla skosenia pilového kotúča (2):

- Povoľte zaisťovaciu páčku (19)
- Pootočte nastavením uhla skosenia (14), aby ste upravili uhol kotúča
- Použite meradlo uhla skosenia (17), aby ste určili uhol kotúča

- Výšku kotúča nastavte pootočením kolieska pre nastavenie výšky kotúča (13):

- V smere hodinových ručičiek pre zvýšenie polohy kotúča
- Proti smeru hodinových ručičiek pre zníženie polohy kotúča

Kalibrácia kotúče

Poznámka: Ak budete kalibrovať pilový kotúč (2), použite vyobrazenie viď. obr. H.

- Pomocou nastavení uhla skosenia (14) nastavte pilový kotúč tak, aby bol kolmý k povrchu stola
- Umiestnite pravouhlý trojuholník (nie je súčasťou balenia) jednou stranou na povrch stola a druhou stranou proti kotúču

- Ak je materiál väčší, než je uvedené v "Technických informáciách", použite vhodnú podporu, aby bol materiál počas obrábania bezpečne podporený

1. Odistite páčku (19) a nastavte uhol kotúča (2) pomocou nastavenia uhla skosenia (14)
2. Keď máte uhol nastavený, zaistíte kotúč v pozícii pomocou zaistovacej páčky
3. Postupujte podľa popisu v časti "Vykonávanie pozdĺžnych rezov"

Vykonávanie priečných skosených rezov

Poznámka: Postup je rovnaký ako v prípade vykonávania priečných rezov s výnimkou, že uhol pilového kotúča je nastavený na vyššiu hodnotu ako 0°.

- Ak je materiál väčší, než je uvedené v "Technických informáciách", použite vhodnú podporu, aby bol materiál počas obrábania bezpečne podporený
1. Odistite páčku (19) a nastavte uhol kotúča (2) pomocou nastavenia uhla skosenia (14)
 2. Keď máte uhol nastavený, zaistíte kotúč v pozícii pomocou zaistovacej páčky
 3. Postupujte podľa popisu v časti "Vykonávanie priečných rezov"

Príslušenstvo

- Rad voliteľného príslušenstva, ako napr. Robustná prepravná sada (TWX7RTK), Podpera pre výstup materiálu (TWX7OS) a Bočná podpera (TWX7SS) je k dispozícii u vášho predajcu Triton. Náhradné diely si môžete zakúpiť u svojho predajcu Triton a alebo online na www.toolsparsonline.com

Údržba

VAROVANIE: Než začnete čistiť Pracovné centrum, meniť príslušenstvo, vykonávať úpravy alebo vykonávať údržbu, VŽDY Pracovné centrum odpojte zo siete

VAROVANIE: VŽDY noste osobné ochranné pomôcky vrátane ochranných okuliarov a vhodných proti-prerezových rukavíc, keď náradie čistíte alebo vykonávate údržbu

VAROVANIE: VŽDY noste vhodné proti-prerezové rukavice, keď pracujete s pilovým kotúčom (2). Ak ich nebudete mať, môžete si privodiť rezné poranenie alebo iný úraz.

Výmena pilového kotúča

VAROVANIE: Rýchlosť pilového kotúča musí byť minimálne rovnaká ako maximálna rýchlosť uvedená na elektrickom náradí. Príslušenstvo, ktoré rotuje rýchlejšie, než je jeho daná rýchlosť, sa môže rozlomiť a rozletieť na kúsky.

1. Odstráňte kryt kotúča (3) od roztváracieho klina (6) odstránením skrutky zabezpečujúceho kryt k rozvriacemu klinu
2. Uvoľnite šesťhrannú skrutku, ktorá je umiestnená na vstupnej strane dosky kryjúci kotúč (25) a použite prístupový otvor dosky kryjúci kotúč pre vyzdvihnutie dosky, viď. obr. F
3. Odistite páčku (19), zdvihnite hriadeľ (32) do maximálnej výšky tým, že koliesko pre nastavenie výšky kotúča (13) budete otáčať v smere hodinových ručičiek
4. Koliesko pre nastavenie výšky kotúča (13) zaistíte v pozícii pomocou zaistovacej páčky
5. Odstráňte starý pilový kotúč (2) - zaistíte držiak hriadeľa multi-náradím 1 (39), zatiaľ čo multi-náradím 2 (40) odkrúтите maticu zaistujúci kotúč (31)
6. Obe polovice príruby kotúča (33) umiestnite na nový kotúč, potom kotúč nasuňte na hriadeľ, pozri. obr. L

Poznámka: Uistite sa, že pilový kotúč je nasadený v správnom smere. Šípka, ktorú nájdete na kotúči, musí mieriť rovnakým smerom ako šípka na kryte kotúča.

7. Uťahnite nový pilový kotúč - držiak hriadeľa zaistíte multi-náradím 1 (39), zatiaľ čo multi-náradím 2 (40) utiahnete maticu zaistujúce kotúč (31)
8. Znovu nasadíte dosku kryjúci kotúč a kryt kotúča

Výmena dosky kryjúci kotúč

VAROVANIE: Ak stolnú pílu často používate, môže dôjsť k opotrebovaniu dosky kryjúci kotúč. Doska kryjúci kotúč musí byť stále v dobrom stave. Ak je potrebné, vymeňte ju.

1. Odstráňte kryt kotúča (3) od roztváracieho klina (6) odstránením skrutky zabezpečujúceho kryt k rozvriacemu klinu
2. Uvoľnite šesťhrannú skrutku, ktorá je umiestnená na vstupnej strane dosky kryjúci kotúč (25) a použite prístupový otvor dosky kryjúci kotúč pre vyzdvihnutie dosky, viď. obr. F
3. Nainštalujte novú dosku kryjúci kotúč a/alebo obeťnú dosku
4. Vyrovnajte novú platňu kryjúci kotúč, viď. "Vyrovanie dosky kryjúci kotúč"
5. Kryt kotúča nasadíte späť

Čistenie

- Náradie udržiavajte vždy čisté. Špina a prach spôsobí, že sa vnútorné súčiastky rýchlo opotrebojú a skráti sa tak životnosť náradia. Telo náradia čistite jemnou keľou alebo suchou handričkou. Pokiaľ máte k dispozícii čistý a suchý stlačený vzduch, prefúkните ním ventilačné otvory (kde je to vhodné)
- Nikdy nepoužívajte leptavé látky pre očistenie plastových povrchov. Ak čistenie na sucho nie je dostatočné, použite navlhčenú handričku s jemným saponátom
- Voda nikdy nesmie prísť do kontaktu s náradím
- Pred použitím sa uistite, že náradie je dôkladne vysušené

Čistenie napečených nečistôt

1. Náradie vypnite a vypojte z elektrickej siete. Odstráňte kryt kotúča (3) od roztváracieho klina (6) odstránením skrutky zabezpečujúceho kryt k roztváraciemu klinu
2. Uvoľnite šesťhrannú skrutku, ktorá je umiestnená na vstupnej strane dosky kryjúci kotúč (25) a použite prístupový otvor dosky kryjúci kotúč pre vyzdvihnutie dosky, viď. obr. F
3. Odstráňte panel pre odsávaciu hadicu (12) a príp. pripojenie k vysávaču, ktoré je pripojené k portu pre odsávanie prachu (9)
4. Nájdite a odstráňte napečené nečistoty
5. Znovu nasadíte kryt kotúča, platňu kryjúci kotúč, panel pre odsávaciu hadicu a pripojenie k vysávaču

Premazávanie

- Všetky pohyblivé časti pravidelne premazávajú PTFE sprejom, najmä po náročnom projekte alebo čistení

VAROVANIE: Nepremazávajú spreji na základe oleja alebo silikónu. Zvyšky lubrikantu sa spoj s

drevom a prachom a dôjde k usadzovaniu nečistôt v pohyblivých častiach náradia. Používajte LEN suchý lubrikant, PTFE sprej.

Skladovanie

- Toto elektronáradie skladujte na zabezpečenom suchom mieste mimo dosah detí.

Likvidácia

Elektronáradie, ktoré už nefunguje a nie je možné ho opraviť, zlikvidujte v súlade s legislatívou danej krajiny.

- Nevyhadzujte elektronáradie a elektroodpad do domového odpadu.
- V prípade otázok kontaktujte príslušný úrad.

Riešenie problémov

Problém	Možná příčina	Riešenie
Po stlačení spínača sa nič nedeje	Nejde elektrina	Skontrolujte dodávku elektriny
	chybný spínač	Nechajte si vymeniť spínač v certifikovanom servisnom stredisku Triton
Zlá kvalita rezania	chybný kotúč	Kotúč je potrebné vymeniť, viac viď. časť "Výmena pílového kotúča"
Rezy nezodpovedajú meranie	Uhlomer (41) alebo pozdĺžny doraz (51) nie je správne pripevnený	Znovu-utiahnite dorazy a uistite sa, že pri tlaku pevne drží
	Pílový kotúč (2) nie je kalibrovaný	Skalibrujte kotúč pomocou krokov opísaných v časti "Kalibrácia pílového kotúča"
	Kúsok dreva alebo uhlomer (41) už neposkytujú dostatočnú oporu	Vymeňte kúsok dreva za iný

Záruka

Na registráciu záruky navštívte naše webové stránky www.tritontools.com* a zadajte informácie o výrobku. Vaše údaje budú uložené (pokiaľ túto možnosť nezakážete) a budú vám zasielané novinky. Vaše údaje nebudú poskytnuté žiadnej tretej strane.

Záznam o nákupe

Dátum obstarania: ___ / ___ / ____

Model: TWX7CS001

Doklad o kúpe uschovajte ako potvrdenie o zakúpení výrobku.

CE Prehlásenie o zhode

Dolu podpísaný: p. Darrell Morris

spĺnomocnený: Triton

prehlasuje, že

Výrobok číslo: Nadstavec stolnej pily

Popis: TWX7CS001

Bol uvedený na trh v súlade so základnými požiadavkami a príslušnými ustanoveniami nasledujúcich smerníc:

- Smernica o bezpečnosti strojných zariadení 2006/42/EC
- Smernica o technických požiadavkách na výrobky z hľadiska ich elektromagnetickej kompatibility 2014/30/EC
- Smernica RoHS 2011/65/EU
- EN61029-1:2009+A11:2010
- EN61029-2:2012
- EN55014-1:2006+A1:2009+A2:2011
- EN55014-2:1997+A1:2001+A2:2008
- EN61000-3-2:2014
- EN61000-3-3:2013

Pokiaľ sa během 3-ročnej odo dňa nákupu objaví porucha výrobku spoločnosti Triton Precision Power Tools, ktorá bola spôsobená chybou materiálu alebo chybným spracovaním, Triton opraví alebo vymení chybný diel zdarma.

Tato záruka sa nevzťahuje na výrobky, ktoré budú používané na komerčné účely, a ďalej na poškodenie, ktoré je spôsobené neodborným použitím alebo mechanickým poškodením výrobku.

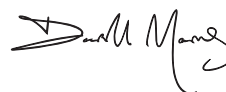
* Registrujte sa během 30 dní od nákupu. Zmena podmienok vyhradená. Týmto podmienkami nie sú dotknuté vaše zákonné práva.es

Notifikovaná osoba: TÜV Rheinland

Technická dokumentácia je uložená u: Triton

Dátum: 31/08/2016

Podpis:



Mr Darrell Morris

Výkonný riaditeľ

Meno a adresa výrobcu:

Powerbox International Limited, Company No. 06897059. Registrovaná adresa: Powerbox, Boundary Way, Lufton Trading Estate, Yeovil, Somerset BA22 8HZ, United Kingdom.

Giriş

Bu TRITON el aletini satın aldığınız için teşekkür ederiz. Bu el kitabında bu ürünü güvenli ve yararlı şekilde kullanmak için gereken bilgiler bulunmaktadır. Bu ürünün kendine özgü özellikleri vardır ve benzer ürünleri yakından tanıyor olsanız bile talimatları tamamen anlayabilmeniz için bu el kitabını dikkatle okumanız gerekir. Bu el aletini kullanan herkesin bu el kitabını okuyup iyice öğrenmesini sağlayınız.

Sembollerin açıklaması

El aletinizdeki künnyede semboller bulunabilir. Bunlarda ürün hakkındaki önemli bilgileri veya kullanımı ile ilgili talimatları temsil eder.

Sembollerin açıklaması



Kulak koruyucu kullanın
Göz koruyucu kullanın
Solunum koruyucu kullanın
Kafa koruyucu kullanın



El koruyucu kullanın



Talimat el kitabını okuyun



Geri tepmeye dikkat edin!



Uyarı: keskin bıçaklar veya dişler!



Yalnız iç mekanda kullanmak için!



Yağmurda veya nemli ortamlarda KULLANMAYIN!



Dikkat!



Zehirli dumanlar veya gazlar!



DOKUNMAYIN! Elektrikli kesmeden muhafazaya DOKUNMAYIN. Elektrikli bir el aleti kullanırken çocukları ve izleyicileri uzak tutun. Dikkati dağıtan şeyler kontrolü yitirmenize yol açabilir. Tüm ziyaretçiler çalışma alanından güvenli bir uzaklıkta tutulmalıdır.



Ayar yaparken, aksesuar değiştirirken, temizlerken, bakım yaparken veya kullanımda olmadığı zaman daima güç kaynağından ayırın!



Çevre Koruması

Atık elektrikli ürünler evsel atıklar ile birlikte atılmamalıdır. Tesis bulunan yerlerde geri dönüştürün. Geri dönüştürme tavsiyesi almak için yerel makamlar veya satıcı ile görüşün.

Spesifikasyon

Model numarası:	TWX7CS001
Güç:	1800 W
Yüksüz hız:	4500/dak
Karbid metal testere bıçağı:	EN 847-1 ile uyumlu 254 x 30 x 2,6 mm, 40 diş
Yüklenici testere modülü boyutu U x G x Y	679 x 422 x 449mm
Maksimum yarma kapasitesi	775mm
Maksimum kesme derinliği, 90° açı ile:	86mm +/-1mm
Maksimum açılı kesme, 45° açı ile:	59,5mm +/-1mm
Yan uzatmalı tabla genişliği:	+600mm
Dışarı beslemeli tabla uzunluğu:	+670mm
Maksimum iş parçası ölçüsü U x G:	851x775mm (ilave yan destek ve dışarı besleme desteği olmadan)
Toz emme deliği ölçüsü:	64,5/ 32,6 mm
Ağırlık:	15kg
Ses ve titreşim bilgileri:	
Ses basıncı L _{PA} :	92,3dB(A)
Ses gücü L _{WA} :	104,6dB(A)
Belirsizlik K:	2,5dB
Operatör için ses şiddeti 85 dB(A) değerini aşabilir ve ses koruma önlemleri gereklidir.	

UYARI: Ses düzeyinin 85dB(A) değerini geçtiği yerlerde daima kulak koruyucu kullanın ve gerekirse maruz kalma süresini sınırlandırın. Kulak koruması kullanıldığı zaman bile ses düzeyleri rahatsız edici ise el aletini kullanmayı hemen bırakın ve kulak korumasının doğru takılıp takılmadığını ve el aletinizin ürettiği ses düzeyi için doğru miktarda ses zayıflatması sağlayıp sağlamadığını kontrol edin.

UYARI: Kullanıcının el aletinin titreşimine maruz kalması dokunma duyusunun kaybolmasına, uyuşmaya, karıncalanmaya ve tutma yeteneğinin azalmasına yol açabilir. Uzun süre maruz kalınması kronik bir duruma yol açabilir. Gerekli takdirde, titreşime maruz kalma süresini sınırlandırın ve titreşim önleyici eldiven kullanın. Titreşim tarafından daha çok etkileneceği için ellerinizin sıcaklığı normal rahat bir sıcaklığın altında olduğu zaman el aleti kullanmayın. Spesifikasyonda titreşim ile ilgili olarak verilmiş değerleri kullanarak el aletini çalıştırma süresini ve sıklığını hesaplayın.

Spesifikasyondaki ses ve titreşim düzeyleri EN61029-1 veya benzer uluslararası standartlara göre belirlenmiştir. Verilen değerler el aletinin normal çalışma koşullarında normal kullanımını temsil etmektedir. İyi bakım yapılmayan, yanlış monte edilmiş veya kötü kullanılan bir el aleti yüksek seviyelerde gürültü ve titreşim üretebilir. www.osha.europa.eu adresinde, konutların içinde uzun süreler boyunca el aletleri kullanan kişiler için yararlı olabilecek, iş yerindeki ses ve titreşim seviyeleri hakkında bilgi bulunmaktadır.

Genel güvenlik

UYARI! Elektrikli el aletlerini kullanırken yangın, elektrik çarpması ve yaralanma riskini azaltmak için aşağıdaki güvenlik bilgileri dâhil olmak üzere temel güvenlik kuralları daima izlenmelidir. Bu ürünü çalıştırmadan önce bu talimatların hepsini okuyun talimatları ileride kullanmak üzere saklayın.

UYARI: Fiziksel veya akılsal yetenek eksikliği bulunan (çocuklar dâhil) veya yeterli deneyimi ve bilgisi olmayan kişiler, kendilerinin güvenliğinden sorumlu bir kişi tarafından cihazın kullanımı için gözetim ve bilgi sağlanmadığı sürece bu cihazı kullanmamalıdır. Çocukların bu cihaz ile oynamasına dikkat edilmelidir.

DİKKAT: Elektrikli el aletini, aksesuarları ve kesici uçları, vb. çalışma koşullarını ve yapılacak işi dikkate alarak bu talimatlara göre kullanın. Elektrikli el aletinin amaçlanan dışında işlemler için kullanılması tehlikeli durumlara ortaya çıkarabilir.

Uyanırlardaki "elektrikli el aleti" terimi elektik şebekesinden çalışan (kablolu) elektrikli el aleti veya batarya ile çalışan (kablesuz) elektrikli el aleti anlamına gelmektedir.

- 1 - Çalışma alanını temiz tutun. Dağınık yerler veya iş tezgâhları yaralanmaları davet eder
 - 2 - Çalışma alanı ortamına dikkat edin
 - El aletlerini yağmura maruz bırakmayın
 - Nemli veya ıslak yerlerde elektrikli el aletleri kullanmayın
 - Çalışma alanını iyice aydınlatın
 - Yanıcı sıvılar veya gazlar bulunan yerlerde elektrikli el aletleri kullanmayın
 - 3 - Elektrik çarpmasına karşı koruma - Topraklı veya topraklanmış yüzeyler ile vücut temasından sakının (örneğin borular, radyatörler, fırınlar, soğutucular)
 - 4 - Başka kişileri uzaktan tutun - İş ile ilgili olmayan kişilerin ve özellikle çocukların el aletine ve uzatma kablosuna dokunmasına izin vermeyin ev onları çalışma alanından uzak tutun
 - 5 - Kullanılmayan el aletlerini saklayın - El aletleri kullanılmadığı zaman çocukların ulaşamayacağı şekilde kuru ve kilitli bir yerde saklanmalıdır
 - 6 - El aletini zorlamayın. El aleti bir işi daha iyi ve daha güvenli şekilde ve gerçekleştirme için tasarlandığı hızda yapar
 - 7 - Doğru el aletini kullanın - Bir ağır hizmet aletinin işini yapmak için küçük el aletlerini zorlamayın El aletlerini amaçlanmadıkları işler için kullanmayın; örneğin ağaç dallarını veya kütükleri kesmek için daire testere kullanmayın
 - 8 - Uygun giysi giyin
 - Hareketli parçalara yakalanabilecek gevşek giysiler veya takı kullanmayın
 - Dış mekânda çalışırken uygun güvenlik pabuçu tavsiye edilir.
 - Uzun saçı toplamak için koruyucu örtü kullanın
 - 9 - Koruyucu ekipman kullanın
 - Güvenlik gözlüğü kullanın
 - Çalışma koşulları toz ürettiği takdirde yüz koruyucu veya toz maskesi kullanın
- UYARI:** Koruyucu ekipman veya uygun giysi kullanılmaması yaralanmaya yol açabilir veya bir yaralanmanın ağırlığını artırabilir.
- 10 - Toz emiş ekipmanına bağlayın - El aletinde toz emme ve toplama için bir bağlantı bulunuyor ise bunların bağlanmasına ve doğru şekilde kullanılmasına dikkat edin
 - 11 - Elektrik kablosunu yanlış kullanmayın - Elektrik kablosunu prizden çıkarmak için asla kablodan asılmayın. Elektrik kablosunu ısıdan, yağdan ve keskin kenarlardan uzak tutun. Hasarlı veya dolaşık elektrik kabloları elektrik çarpması riskini artırır
 - 12 - İş parçasını sabitleyin - Olanaklı olduğu takdirde kelepçeler veya bir mengene kullanarak iş parçasını sabit tutun. Elinizi kullanmaktan daha güvenlidir
 - 13 - Çok fazla ileriye uzanmayın. Desteğinizi ve dengeyi daima uygun şekilde koruyun
 - 14 - El aletlerine dikkatle bakım yapın
 - Kesici aletleri keskin ve temiz bulundurun. El aletinin daha kolay kontrol edilmesini sağlar ve iş parçası içinde sıkışma olasılığını azaltır
 - Yağlama ve aksesuar değiştirme talimatlarını izleyin
 - El aletinin elektrik kablolarını periyodik olarak muayene edin ve hasar gördüğü zaman yetkili bir servis tesisinde bunları tamir ettirin
 - Uzatma kablolarını periyodik olarak muayene edin ve hasar gördüğü zaman değiştirin
 - Sapları kuru, temiz durumda tutun ve yağı ve gresi temizleyin
 - El aletini dengeli bir konumda yerleştirin

UYARI: Kazaların birçoğuna iyi bakım yapılmayan el aletleri neden olmaktadır.

- 15 - El aletlerini elektrikten ayırın - El aleti kullanılmadığı zaman, servisten önce ve bıçak, delme ucu ve kesme ucu gibi aksesuarları değiştiren güç kaynağından ayırın

UYARI: Üretici tarafından tavsiye edilmiş olmayan aksesuarların veya ek parçaların kullanılması kişilerin yaralanması riskine yol açabilir.

- 16 - Ayarlamaya anahtarlarını ve kollarını çıkarın - El aletini çalıştırmadan önce kollarını ve ayar anahtarlarının çıkarılıp çıkarılmadığını kontrol etme alışkanlığı geliştirin

- 17 - İstenmeden çalıştırılmasını önleyin - Güç kaynağına bağlanmadan veya batarya paketini takmadan önce veya el aletini toplayıp taşımadan önce düğmenin kapalı olduğunu kontrol edin

UYARI: Bir el aletinin istenmeden çalışması ağır yaralanmalara yol açabilir.

- 18 - Dış mekân uzatma kabloları kullanın - El aleti dış mekânda kullanıldığı zaman yalnızca dış mekân kullanımı için amaçlanmış ve bu şekilde işaretlenmiş uzatma kabloları kullanın. Dış mekânda kullanıma uygun bir kablo kullanmak elektrik çarpması riskini azaltır

- 19 - Tetikte olun

- Yaptığınız şeye dikkat edin, sağduyunuzu kullanın ve yorgun olduğunuz zaman el aletini kullanmayın

- İlaçların, alkolün veya bir tedavinin etkisinde olduğunuz zaman elektrikli alet kullanmayın

UYARI: Elektrikli alet kullanırken bir anlık dikkatsizlik ağır yaralanmaya yol açabilir.

- 20 - Hasarlı parçaları kontrol edin

- El aletini kullanmaya devam etmeden önce el aleti dikkatle kontrol edilerek düzgün çalışacağı ve işlerini yerine getireceği anlaşılmalıdır

- Hareketli parçaların hizasını, hareketli parçalarda sıkışma ve parçalarda kırılma olup olmadığını, montaj şeklini ve el aletinin çalışmasını etkileyebilecek diğer tüm koşulları kontrol edin

- Hasarlı bir güvenlik muhafazası ve diğer parçalar bu talimat kılavuzunda aksi belirtilmediği sürece yetkili bir servis merkezi tarafından gereken şekilde tamir edilmeli veya değiştirilmelidir

- Arızalı düğmelerin yetkili bir servis merkezi tarafından değiştirilmesini sağlayın

UYARI: Açma/kapatma düğmesi el aletini açıp kapatmadığı takdirde el aletini kullanmayın. El aleti kullanılmadan önce düğme tamir edilmelidir.

- 21 - El aletinizin ehliyetli bir kişi tarafından tamir edilmesini sağlayın – Bu elektronik el aleti ilgili güvenlik kurallarına uygundur. Tamir işleri yalnızca ehliyetli kişiler tarafından yapılmalıdır aksi takdirde kullanıcı için önemli bir tehlike ortaya çıkabilir

UYARI: Servis yaparken yalnızca tamamen aynı yedek parçaları kullanın.

UYARI: Elektrik kablosu hasar gördüğü takdirde üretici veya yetkili bir servis merkezi tarafından değiştirilmelidir.

- 22 – Elektrikli el aleti şebeke fişi şebeke prizine uymalıdır – Fişi hiç bir şekilde değişikliğe uğratmayın. Topraklı (topraklanmış) elektrikli ele aletleri ile hiç bir adaptör kullanmayın. Tadil edilmeyen fişler ve uygun prizler elektrik çarpması riskini azaltır

- 23 - Elektrikli bir el aletini dış mekânda kullanırken bir kaçak akım cihazı (RCD) kullanın. RCD kullanmak elektrik çarpması riskini azaltır

NOT: "Kaçak akım cihazı (RCD)" teriminin yerine "topraklama arızası devre kesici (GFCI)" terimi veya "toprak kaçağı devre kesici (ELCB)" terimi kullanılabilir.

UYARI: Avustralya'da veya Yeni Zelanda'da kullanıldığı zaman bu el aletine DAİMA 30 mA veya daha az nominal kaçak akım değerine sahip bir Kaçak Akım Cihazı (RCD) takılması tavsiye edilir.

UYARI: Bir el aletini bir güç kaynağına (şebeke şalteri elektrik prizi, duvar prizi, vb.) bağlamadan önce beslenen voltaj ile el aletinin künyesinde belirtilen voltajın aynı olduğunu kontrol edin. El aleti için belirtilenden daha yüksek voltajdaki bir güç kaynağı kullanıcının ağır yaralanmasına ve el aletini zarar görmesine yol açabilir. Kuşku duyduğunuz takdirde el aletinin fişini takmayın. Künye değerinden daha düşük voltajda bir güç kaynağı kullanmak motor için zararlıdır.

Polarize Fişler (yalnız Kuzey Amerika için) Elektrik çarpma riskini azaltmak için bu cihazda polarize bir fiş bulunmaktadır (uçların birisi diğerinden daha geniştir). Bu fiş polarize bir prize yalnız tek yönde girer. Fiş prize tam olarak uymadığı takdirde fişi ters çevirin. Yine uymadığı takdirde ehliyetli bir elektrikçiden gerekli prizi takmasını isteyin. Fişi hiçbir şekilde değiştirmeyin.

Tablalı Testere Güvenliği

UYARI: Testere tablasını kullanırken göz koruması, kulak koruyucu, uygun bir toz maskesi ve uygun eldiven dahil ama bunlar ile sınırlı olmamak üzere DAİMA kişisel koruyucu ekipman kullanın. Çalışma alanı yakınındaki tüm insanları uygun koruyucu kullanmasını sağlayın. İzleyicileri güvenli bir uzaklıkta tutun.

UYARI: Bıçak muhafazasındaki toz emme deliğini DAİMA uygun bir vakum toz emme sistemine bağlayın. Bazı ahşap türleri zehirlidir ve insanlarda ve hayvanlarda özellikle ince toza maruz kalma durumunda alerjik reaksiyonlara yol açabilir. Vakum toz emişine ilave olarak DAİMA uygun soluma koruyucu kullanın.

UYARI: Testere bıçağının nominal hızı elektrikli el aletinin üzerinde belirtilen maksimum hıza en azından eşit olmalıdır. Nominal hızlarından daha hızlı çalışan aksesuarlar parçaların dağılarak fırlayabilir.

- a) YALNIZ testere tablasının "Spesifikasyonlar" bölümünde uygun olarak belirtilen dairesel testerelem takın. YALNIZ uygun testere bıçakları kullanın ve yarma bıçağının bıçak oluşundan kalın olmasına ve testere bıçağının ince olmasına dikkat edin.
- b) Çalışma alanınızın güvenli olmasına ve yeterli şekilde aydınlatılmasına, engeller, takılıp düşme tehlikeleri ve başka tehlike potansiyelleri bulunmamasına DİKKAT EDİN.
- c) Bu testere ile ASLA metalleri veya tuğla içeren kuru duvar ürünlerini kesmeye çalışmayın. Yalnızca ahşap ve ahşap benzeri malzemeler ile kullanılmak için tasarlanmıştır.
- d) Bu testere tablası ile bir kalıplama kafası kullanmaya ÇALIŞMAYIN. Uygun dairesel testere ve tablanın yapısı bu tür kesme işlerine uygun değildir.
- e) Çalışma alanının iyi havalandırılmasına DAİMA dikkat edin. Potansiyel bir yangın tehlikesini önlemek için testere talaşını sık sık uzaklaştırın ve testeredeki talaşı temizleyin.
- f) Bıçak dönerken bıçaktaki ahşap parçalarını veya tozu temizlemeye ASLA elleriniz ile çalışmayın. DAİMA testereyi kapatın, makineyi güç kaynağından ayırın ve bıçak duruncaya kadar bekleyin. Bıçaklara dokunurken yaralanmamak için DAİMA kesilmeye dayanıklı eldiven kullanın.
- g) Testereyi ASLA çalışır durumda kendi başına bırakmayın. Testereyi kapattıktan sonra bıçak tamamen duruncaya kadar testere tablasından AYRILMAYIN.
- h) "Geri Töpmeyi Önleme" bölümündeki talimatları DİKKATLE okuyun ve bir testere tablasını kullanırken bu tavsiyeleri izleyin.
- i) İş parçasının bıçağa doğru DAİMA dönme yönünün TERSİ yönde besleyin. Besleme yönü tabla yüzeyine basılmış olan ok ile gösterilmiştir.
- j) Yarma işleri yaparken DAİMA paralel siperi kullanın. Siperin bıçağa paralel durmasına dikkat edin. Bıçağa göre açı yapmamalıdır. Siperi her iki uçtan sağlam şekilde kilitleyin.
- k) İş parçasını DAİMA yarma siperine veya gönyeye sağlam şekilde yaslayın. Yarma siperini aynı işlem sırasında ASLA gönye olarak kullanmayın.
- l) Bıçak muhafazasını veya yarma bıçağını ASLA çıkarmayın. Yarma bıçakları 'yayıcı' terimi ile de tanınır.
- m) Dar iş parçalarını yararken DAİMA bir itme çubuğu kullanarak elinizin testere bıçağına yaklaşmamasını sağlayın. İtme çubuğunun bıçağa temas etmemesi için itme çubuğu DAİMA iş parçasından dar olmalıdır. Karşı tarafa kadar geçmeyen kesme işleri için bir askı tahtası ve itme takozları kullanın. İtme çubuğunu kullanmadığı zaman testere ile birlikte saklayın.
- n) İş parçasını yalnızca elleriniz ile destekleyerek eller serbest şekilde bir işlem ASLA yapmayın. İş parçasını yerleştirmek ve yol göstermek için DAİMA yarma siperini veya gönye siperini kullanın.
- o) Hiç bir nedenle ellerinizin herhangi birisi ile bıçağın arkasına, üstüne veya 75 mm (3") yakınına ASLA uzanmayın.
- p) Çapraz kesme işleri yaparken yarma siperini yolun üzerinden DAİMA uzaklaştırın. Çapraz kesme işi yaparken yarma siperini ASLA kesme mastarı olarak kullanmayın.
- r) Sıkışan bir testere bıçağının testere düğmesini açık iken kurtarmaya ASLA çalışmayın. DAİMA makineyi kapatın ve güç kaynağından ayırın.
- r) Büyük iş parçalarını testere tablasının içeri besleme ve dışarı besleme taraflarında ve gerektiği zaman yan taraflardan DAİMA destekleyin. Olanaklı olan yerlerde makaralı destekler veya testere sehpaları kullanın.
- s) İş parçasını testere bıçağının geçinceye kadar gerekli olan yerde bir itme çubuğu kullanarak tamamen itmeden kendiliğinden yürürmeye ASLA bırakmayın.
- t) Yarma siperi boyunca yol göstermek için düz bir kenarı bulunmayan düzensiz şekilli iş parçalarının KAÇININ.
- u) Tablalı testere ile yuvarlak parçalar kesmeyin. Tablalı testere kütük veya yakacak odun kesmek için kullanmayın.
- v) Ani bir kaymanın ellerinizin veya diğer vücut parçalarının bıçağa temas etmesine yol açabileceği uygunsuz işlemlerden ve el pozisyonlarından DAİMA kaçının.
- w) Kullanmadan önce boğaz plakasını MUAYENE edin. Hasarlı veya aşınmış boğaz plakalarını değiştirin.
- x) Testere tablası ile uyumluluğu sağlamak için YALNIZCA bu el kitabında belirtilen aksesuarları kullanın. Uygun olmayan aksesuarlar kullanmak kendiliğinden tehlikeli olabilir ve ağır yaralanmaya veya maddi hasara yol açabilir. DAİMA aksesuar ile birlikte verilen tüm güvenlik talimatlarını ve güvenli kullanma prosedürlerini izleyin.
- y) Testere tablasını güç kaynağından ayırmadan önce DAİMA kapatın. Böylece güç kaynağına tekrar bağlandığı zaman kaza sonucu çalışmaya başlaması önlenmiş olur.

Gerı Tepmenin Önlenmesi

Not: Bıçağı sıkışması, takılması veya hizasının bozuk olması sonucunda hızla durması yüzünden geri tepme meydana gelir ve iş parçası hızla operatöre doğru itilir. Ayrıca operatörün elini bıçağın içine çekerek ağır yaralanmaya da neden olabilir.

UYARI: Geri tepme, testerenin kötü kullanılması ve/veya yanlış kullanma prosedürleri yüzünden meydana gelir ama önlemler alındığı takdirde geri tepme kuvvetleri operatör tarafından kontrol edilebilir veya tamamen önlenebilir:

- Testereyi DAİMA yarma bıçağı ('yayıcı' olarak da bilinir) takılması olarak kullanın. Oyuğun bıçağın üzerine kapanmaması için yarma bıçağını ASLA çıkarmayın.
- Kör veya eğri bir bıçak ile ASLA kesmeye çalışmayın. Bıçağın kesilecek malzemeye uygun olmasına DAİMA dikkat edin.
- Yarma siperinin bıçağına paralel olmasına DAİMA dikkat edin. Siper bıçak yönünde içeri doğru eğik olduğu takdirde iş parçası bıçağın arka kenarına temas edebilir ve sonuçta kullanıcıya doğru kontrolsüz şekilde geriye fırlayabilir.
- Yarma siperini ve gönye masterını ASLA aynı anda kullanmayın. Bu ağır bir geri tepmeye ve ağır yaralanmaya yol açabilir.
- Geniş tabakaları keserken DİKKATLİ olun. Geniş parçaları uygun içeri besleme ve dışarı besleme destekleri ile desteklemeye gereken şekilde dikkat edin.
- Tablanın üzerinde yatay olarak durmayan yuvarlak malzemeleri veya iş parçalarını KESMEYİN. Eğri, çarpık veya budaklı ahşap kesmekten kaçının.
- Testere bıçağı ile daha fazla sürtünmeye yol açtığı için ıslak ahşap KESMEYİN. ıslak testere talaşı bıçağın üzerinde birikerek geri tepme olasılığını daha da artırabilir.
- İş parçasını DAİMA her iki el ile sağlam şekilde tutun ve kollarınızı ger tepme kuvvetlerine karşı koyacak şekilde yerleştirin.
- Bıçak yolu üzerinde durmayın ve vücudunuzu bıçak ile aynı hizada değil bıçağın yan taraflarından birisinde tutun.
- Kesimin içinde geriye doğru GİTMEYİN. Bir kesme işi tamamlamadan ara vermeniz gerektiği takdirde testereyi kapatın ve bıçağın dönmeye durduğu zaman iş parçasını testereden çıkarın.
- İş parçalarının bıçağın üzerine düşmesine OLANAK VERMEYİN. Tablalı testereniz ile dalma şeklinde kesme işleri yapmaya ÇALIŞMAYIN.
- İş parçasını bıçak boyunca yürütmek için uygun olan durumlarda DAİMA itme çubukları veya itme taksu kullanın. İş parçasını aşağı bastırarak için olanaklı olduğu zaman baskı tahtaları kullanın

Ürünün tanıtılması

- Elektrik Fişi
- Testere Bıçağı
- Bıçak Muhafazası
- Bıçak Muhafazası Toz Deliği
- Muhafaza Takma Vidası
- Yarma Bıçağı
- Yarma Bıçağı Sabitleme Vidası
- Fırça Kapağı
- Toz Emme Deliği
- Modül Teraziye Alma Makarası
- Modül Makarası
- Toz Kanalı Paneli
- Bıçak Yüksekliği Ayarı
- Pah Açısı Ayarı
- 45° Kırpma Vidası
- 0° Kırpma Vidası
- Pah Açısı Masterı
- Açı Kalibrasyon Vidası
- Kilitleme Kolu
- Parmak Delikleri
- El Oyukları
- Oyuk Plaka Erişim Deliği
- Modül Teraziye Alma Makarası Vidası
- Oyuk Plaka Teraziye Alma Vidası
- Oyuk Plaka
- Sarf Plakası
- Yanal Hizalama Makarası
- Modül Teraziye Alma Vidası
- Modül Tablası Yüzeyi
- Dingil Tutucu
- Bıçak Bağlama Somunu
- Dingil
- Bıçak Flanşı
- Sabitleme Topuzu
- Yarma Bıçağı Ayar Vidası
- Montaj Tirnağı
- Sabitleme Vidası
- İtme Çubuğu
- Çoklu Takım 1
- Çoklu Takım 2
- İletki Masterı
- Tezgâh Kilitleme Topuzu
- Ayarlı Ön Siper
- Destek Braketi
- 45° Açı Siperi
- Açı Yuvası
- Taksimat ölççeği
- Açı Vizörü

- Tezgâh Rayı
- Açı Ayar Topuzu
- Yarma Siperi
- Yarma Siperi Kolu

Kullanma amacı

Gönyeli, eğimli ve çapraz kesme yapabilen etkili testere tablası. İletki Masterı ve Yarma Siperi içerir. Yalnızca ahşap ve ahşap benzeri malzemeler kesmeye uygundur. Triton İş Merkezi TWX7 ve aksesuarları ile kullanmak içindir.

El aletinizin ambalajının açılması

- El aletinizin ambalajını dikkatle açın ve muayene edin. Tüm özelliklerini ve fonksiyonlarını iyice öğrenin
- El aletin tüm parçalarının mevcut olduğunu ve iyi durumda bulduklarını kontrol edin. Eksik veya hasarlı parçalar olduğu takdirde bu aleti kullanmaya başlamadan önce bunların değiştirilmesini sağlayın

ÖNEMLİDİR: Bu talimatları Triton İş Merkeziniz ile verilen talimatlar ile birlikte okuyun.

Kullanım videoları için lütfen www.tritontools.com adresini ziyaret edin

Kullanmadan önce



UYARI: Bir aksesuar takmadan veya değiştirmeden, modülleri takmadan veya çıkarmadan veya bir ayar yapmadan önce testere tablası düğmesinin kapalı olmasına ve güç kaynağından ayrılmış bulunmasına dikkat edin.

UYARI: Testere bıçaklarını tutarken DAİMA kesilmeye dayanıklı uygun eldiven giyin. Bunun yapılmaması operatör için kesilmeye ve yaralanmaya yol açabilir.

Modül teraziye alma vidasının takılması

- Yüklenici Testere Modülünü güvenli yatay bir yüzeye yerleştirin ve Modül Teraziye Alma Makarası Vidalarını (23), Modül Teraziye Alma Vidalarını (28) ve Modül Makaralarını (11) Şekil A 'da gösterildiği gibi takın

Modülün takılması ve çıkarılması

UYARI: Yüklenici Testere Modülünü taşıırken El Oyuklarını (21) kullanın.

Not: Yüklenici Testere Modülünü takmak/sökme için Testere Bıçağının (2) 45° konumunda olması gerekir. Bıçak açısının değiştirilmesi ile ilgili ayrıntılı talimatlar için 'Bıçak ayarı' konusuna bakın.

Modülün takılması:

UYARI: Yüklenici Testere Modülünü takmadan veya sökmeden önce Testere Bıçağını (2) güvenli bir yüksekliğe indirin.

UYARI: Bazı modüller, özellikle elektrikli el aleti takıldığı zaman ağır olur. Modülü DAİMA yere sağlam basarak ve dik durarak El Oyuklarından (21) tutun. Modülleri sökerken ve takarken uygunsuz hareketler yapmaktan kaçının.

ÖNEMLİDİR: Modülleri daima her iki Parmak Deliğini (20) kullanarak alçaltın. Kontrolsüz şekilde alçaltılmak İş Merkezinin, modülün ve elektrikli el aletin zarar görmesine ve operatörün muhtemelen yaralanmasına yol açabilir.



UYARI: Parmakları ve/veya vücut kısımlarını modül ile İş Merkezi şasisi arasında sokmayın. Bakınız: Şekil B

- Modül Makaralarını (11) Modül Montaj Kılavuzlarının içine kaydırın ve modülü dikkatle yerine alçaltın, bakınız Şekil B
- Her iki Modül Kilidini kilitli konuma çevirin, Şekil C

Not: Modül Teraziye Alma Makarası Vidalarının (23) makara yerleştiricilere doğru şekilde yerleşmesine dikkat edin. Modül ile iş merkezi şasisi arasındaki boşluğu gidermek için Modül Teraziye Alma Vidalarının (28) ayarlanması gerekir.

Modülün sökülmesi:

- Modül kilitlerini 'kilit açık' konuma çevirin. Parmak Deliklerini kullanarak modülü şasiden yukarı kaldırın ve Modül Makaralarını (11) Modül Montaj Raylarından dışarı kaydırın, bakınız Şekil B

Tabla modüllerinin teraziye alınması

- Modül Teraziye Alma Makarası Vidalarını (23) ve Modül Teraziye Alma Vidalarını (28) Şekil D'de gösterilen sıra ile ayarlayarak modülü teraziye alın
- Düz kenarlı bir master kullanarak modülün Tabla Yüzeyi ile aynı düzeyde olduğunu Şekil E'de gösterildiği gibi kontrol edin. Modül düzgün değil ise yukarıdaki işlemi tekrarlayın

Yüklenici Testere Modülünün Monte Edilmesi

- Yüklenici Testere Modülünü monte etmek için Şekiller A – L'ye ve atındaki bilgilere bakın.

Yarma bıçağının takılması

UYARI: Yarma bıçağını kullanmadan önce doğru şekilde yerine kilitli olduğunu kontrol edin.

- Testere Bıçağı (2) 0° konumunda olacak şekilde, Bıçak Yüksekliği Ayarını (13) kullanarak bıçağı en yüksek konumuna yükseltin
- Oyuk Plakanın (25) besleme tarafında bulunan altıgen vidayı gevşetin ve Oyuk Plaka Erişim Deliğini (22) kullanarak plakayı serbest bırakın, Şekil F
- Yarma Bıçağını (6) sabitleme braketine sokun ve Sabitleme Topuzunu (34) sıkın, Şekil G

Oyuk plakanın teraziye alınması

UYARI: Kullanmadan önce Oyuk Plakanın (25) takılmış ve doğru şekilde teraziye alınmış olmasına dikkat edin.

- Oyuk Plaka Teraziye Alma Vidalarını (24) ayarlayarak Oyuk Plakayı teraziye alın
- Düz kenarlı bir master kullanarak Oyuk Plakanın çevredeki Tabla Yüzeyi ile aynı düzeyde olduğunu kontrol edin. Oyuk Plaka hala düzgün değil ise yukarıdaki işlemi tekrarlayın

Bıçağın ayarlanması

- Testere Bıçağının (2) eğim açısını ayarlamak için:

- Kilitleme Kolunu (19) açın
 - Bıçağın açısını değiştirmek için Pah Açısı Ayarını (14) döndürün
 - Bıçağın açısını görmek için Pah Açısı Masterını (17) kullanın
- Bıçak Yüksekliği Ayarını (13) döndürerek Bıçak Yüksekliğini ayarlayın:
 - Testere Bıçağını yükseltmek için saat yönünde
 - Testere Bıçağını alçaltmak için saate ters yönde

Bıçağın kalibre edilmesi

Not: Testere Bıçağını (2) kalibre ederken Şekil H'ye bakınız.

- Bıçak Yüksekliği Ayarını (13) kullanarak Testere Bıçağını en yüksek konumuna yükseltin
- Pah Açısı Ayarını (14) kullanarak Testere Bıçağını Tabla Yüzeyine dik olacak şekilde ayarlayın
- Bıçağa yaslanacak şekilde Tabla Yüzeyine yatık olarak bir gönye (temin edilmez) koyun
- 0° Kırpma Vidasını (16) gevşetin
- Testere Bıçağını açısını gönyeye paralel olacak şekilde ayarlayın
- Açı Kalibrasyon Vidalarını (18) gevşetin ve kırmızı göstergeyi Pah Açısı Masterındaki (17) '0' ile hizalayın
- Kilitleme Kolunu (19) kullanarak Testere Bıçağını yerine kilitleyin
- 0° Kırpma Vidasını sıkın
- 45° Kırpma Vidasını (15) gevşetin
- Testere Bıçağını 45° durumuna getirin
- 45° Kırpma Vidasını sıkın ve Pah Açısı Masterında 45° gösterildiğini kontrol edin. 45° Kırpma Vidasını sıktıktan sonra Pah Açısı Masterında 45° gösterilmediği takdirde '9-11" adımlarını tekrarlayın

Yarma bıçağının ayarlanması

- Testere Bıçağı (2) 0° konumunda olacak şekilde, Bıçak Yüksekliği Ayarını (13) kullanarak bıçağı en yüksek konumuna yükseltin
- Oyuk Plakanın (25) besleme tarafında bulunan altıgen vidayı gevşetin ve Oyuk Plaka Erişim Deliğini (22) kullanarak plakayı serbest bırakın, Şekil F
- Yarma Bıçağı Ayar Vidasını (35) ve Yarma Bıçağı Sabitleme Vidasını (7) gevşetin
- Testere Bıçağının ve Yarma Bıçağının kenarlarına cetvel gibi iki düz master yerleştiririn
- Düz masterları kaldırın ve Yarma Bıçağı Ayar Vidasını ve ardından Yarma Bıçağı Sabitleme Vidasını sıkın
- Yarma Bıçağının Testere Bıçağı ile aynı hizada olduğunu kontrol edin. Yarma Bıçağı ile aynı hizada değil ise hizalanıncaya kadar '3-5" adımlarını tekrarlayın
- Oyuk Plakayı tekrar takın, Yarma Bıçağı artık hizalanmıştır

Yarma siperi

- Yarma Siperi Kollarını (52) açın ve İş Merkezi şasisinin Yarma Siperi Kılavuzlarını içine sokun, Şekil I
- Yarma Siperi Kollarında bir taksimat ölçüğü vardır. Yarma Siperi Konum Göstergesi ile birlikte kullanıldığı zaman hassas genişlik ölçüleri elde edilebilir

İletki mastarı

- Tezgâh Kilitleme Topuzunu (42) gevşetin ve Tezgah Rayını (49) İş Merkezi şasisinin T Yarığına sokun, Şekil J
- Tezgâh Kilitleme Topuzunu sıkarak İletki Masterını (41) sabitleyin
- Açı ayarı yapmak için Açı Ayar Topuzu (50) açılır ve İletki Mastarı istenen açığa döndürülür
- Açı Vizöründe (48) açı görülür
- Farklı ölçülerde iş parçaları bağlayabilmek için iki altıgen civatayı gevşeterek Ayarlı Ön Siperi (43) ayarlayın
- Hassas 45° açı kesme için 45° Açı Siperini (45) kullanmak üzere İletki Masterını döndürün ve açığı 0°'ye ayarlayın

Toz emme

UYARI: DAİMA uygun bir vakumlu temizleyici veya atölye toz emme sistemi kullanın.

UYARI:Doğal ahşaptan, yüzey kaplamalarından ve kompoze malzemelerden gelen bazı tozlar zehirli maddeleri içerir. Zararlı tozları DAİMA yasalara ve yönetmeliklere uygun şekilde uzaklaştırın.

- Toz emişinin herhangi bir vakumlu temizleyici kullanılarak yapılabilmesi rağmen ev türü (torbalı tip) cihazlar çok çabuk dolabilir. Çok daha büyük bir kapasite için vakumlu temizleyicinize Triton Toz Toplayıcı (DCA300) takmayı değerlendirin
- Yüklenici Testeresi ile vakumlu temizleyicinin birleşik elektrik yükü meskendeki uzatma kablosunun veya prizin nominal amper değerini geçebilir. Vakumlu temizleyiciyi ve Yüklenici Testeresini daima ayrı elektrik prizlerine bağlayın ve iki cihazı ayrı ayrı çalıştırmaya başlayın

Elektrik bağlantıları

Not: İş Merkezinde elektrikli el aletlerinin kolayca bağlanabilmesi için bir Arka Priz bulunmaktadır, Şekil K

İş Merkezini Şebeke Elektrik Fişi bağlantısı üzerinden şebeke elektriğine bağlayın

- Elektrikli el aletlerini güç kaynağına bağlamak için Arka Prizi kullanın

- Elektrikli el aletleri İş Merkezinin şalter kutusuna bağlanmalıdır
- Gerektiği takdirde, İş Merkezinin kendi elektrik kablosunu uzatmak için uygun uzatma kabloları kullanılabilir

UYARI: Yalnızca iyi durumda olan ve elektrikli el aletinin çekeceği elektriği taşımak için yeterli bir kesite sahip uzatma kabloları kullanın. Daha küçük ölçüdeki uzatma kabloları hat voltajın düşmesine neden olarak güç kaybına, ısınmaya ve elektrikli el aletî motorunun yanmasına yol açar.

Kullanılması

UYARI: Bu el aletinin kullanırken DAİMA göz koruyucu, uygun soluma ve kulak koruyucu ve uygun eldiven kullanın.

ÖNEMLİDİR: Yüklenici Testeresi Modülünde içeri besleme yönü işaretlenmiştir – Kesme işini yaparken bu ok iş parçası için doğru ve en güvenli yönü gösterir.

UYARI: Çok büyük iş parçaları kullanarak İş Merkezinin dengesini bozmayın.

UYARI: Kullanmadan önce Oyuk Plakanın (25) takılmış ve teraziye alınmış olmasına dikkat edin.

Not: İş Merkezinin parçaları hakkında tam bilgi ve talimatlar için orijinal TWX7 İş Merkezi talimatlarına bakınız.

İş Merkezi şalter kutusunun kullanılması

ÖNEMLİDİR: Şalter kutusunun ‘açık’ duruma gelebilmesi için faal elektrik bulunan bir şebeke bağlantısı olması gerekir. Elektrik kesildiği anda ‘kapalı’ duruma döner ve elektrik geldiği zaman işleme devam edebilmek için tekrar ‘on’ duruma getirilmesi gerekir.

Açma ve kapatma

- İş Merkezinin AÇMA/KAPATMA Düğmesi İş Merkezi şasisinin ön tarafındadır, şekil K
- İş Merkezinin şebeke elektrik kablosunu bir duvar prizine bağlayın ve düğmeyi ‘Açık’ duruma getirin

- ‘Diz İle Kapatma’ Düğmesine basarak iterek İş Merkezinin AÇMA/KAPATMA Düğmesini ‘O’ konumuna getirin
- Elektrikli el aletinin elektrik kablosunu Elektrikli El Aleti Bağlama Prizine bağlayın
- AÇMA/KAPATMA Düğmesini ‘I’ konumuna bastırarak elektrikli el aletini açın

- Kapatmak için Diz İle Kapatma Düğmesini aşağıya bastırın

Not: Kullanım sırasında güç kaynağı kesintiyne uğradığı takdirde makine tekrar çalışmaya başlamaz. Çalışmaya tekrar başlamak için AÇMA/KAPATMA Düğmesinin tekrar çalıştırılması gerekir.

Kullanıcının pozisyonu ve besleme yönü

- Kullanıcının esas pozisyonu ve Diz İle Kapatma Düğmesinin bulunduğu yer ile tanımlanır
- Acil biri durumda makineyi hemen kapatabilmek için DAİMA AÇMA/KAPATMA Düğmesinin yakınında bulunun
- İş parçalarını Modül Tablası Yüzeyindeki (29) okların gösterdiği yönde besleyin

Tabla uzatmalarının kullanılması (Aksesuar olarak mevcuttur)

- Büyük iş parçalarını sağlam şekilde desteklemek için (isteğe bağlı) İş Merkezi Dışarı Besleme Desteği (TWX7OS) ve İş Merkezi Yan Destek (TWX7SS) çubukları ayarlanabilmektedir. Ayar yapabilmek için Dışarı Besleme Desteği Topuzları ve/veya Yan Destek Topuzları gevşetilir ve ilgili destek çubuğu iş parçasının boyuna uzatılır

İletki masterının ayarlanması

Not: İletki Masterının (41) ömrünü uzatmak için sipere sarf edilebilir bir ahşap parçası takılması tavsiye edilir.

- İletki Mastarı T Yarık içinde olacak şekilde Tezgâh Kilitleme Topuzunu (42) ve Açı Ayar Topuzunu (50) gevşetin
- İletki Masterının açısını ayarlayın, Açı Vizörü (48) vasıtası ile açı görülebilir
- İletki Mastarını T Yarık içine sabitlemek için Açı Ayar Topuzunu iyice sıkın, Tezgâh Kilitleme Topuzunu ise yalnızca direnç hissedilinceye kadar sıkın

- Veya, 45° açı gerektiği zaman:
 - İletki Mastarını çıkarın ve Ayarlı Ön Siper (43) arkada kalacak şekilde tekrar takın
 - Açı Vizöründe ‘0” görüldüğünü kontrol edin ve Açı Ayar Topuzunu sıkın
 - İş parçasını bağlamak için 45° Açı Siperini kullanın

İtme çubuğunun kullanılması

UYARI: Küçük iş parçalarında kesme işi yapılması tehlikeli olabilir ve itme çubukları kullanılmasını gerektirir.

- Bu ürün ile birlikte bir İtme Çubuğu (38) verilmiştir. Ancak iş parçalarını güvenle kesmek için bir taneden fazla itme çubuğu gerekebilir

- Küçük çaplı parçaları yararken Testere Bıçağının (2) yakınında iş parçasını tespit etmek için bir taneden fazla itme çubuğu kullanmak gerekir

Kesme işlemleri

UYARI:Bıçak hareket ederken veya güç AÇIK iken iş parçasının Testere Bıçağına (2) yakın olan kısmını ASLA tutmayın. Bunun yapılması iş parçasının makineden fırlayarak operatörü yaralamasına yol açabilir.

UYARI: Her iki eli de bıçaktan ve kesme hattından daima uzak tutun.

UYARI: Kesme işlemi sırasında iş parçasının ASLA geri çekmeye çalışmayın; kısmen kesilen parçayı çıkarmak için makineyi kapatın ve Testere Bıçağının dönmесinin durmasını bekleyin.

UYARI: İş Merkezi Tablası Yüzeyinin genişliğinden ve/veya uzunluğundan büyük olan büyük boylu parçaları keserken Triton satıcınızdan temin edebileceğiniz (isteğe bağlı) İş Merkezi Dışarı Besleme Desteğini (TWX7OS) ve/veya İş Merkezi Yan Desteğini (TWX7SS) kullanarak iş parçasını uygun şekilde desteklemek gerekir.

UYARI:: İş Merkezini dengeli, yatay ve güvenli bir yüzeye kurmaya dikkat edin. İş Merkezini kullanmadan önce DAİMA dengeli durduğunu kontrol edin. İş Merkezinizi kaba, güvensiz bir arazide kullanmak tehlikelidir ve operatörü ağır şekilde yaralayabilir.

Çapraz kesme

UYARI: İş parçasının kesilen kısmının fırlamaması için Yarma Siperini (51) kullanarak iş parçasını sıkıştırmağın için. Kesme işi sırasında iş parçasını desteklemek için İletki Masterını (41) kullanın.

- İş parçası ‘Spesifikasyonlarda’ belirtilen en büyük iş parçası ölçülerine uygun olmadığı zaman kesme işlemi sırasında iş parçasını yerleştirmek için destek yapılarını ayarlayın

- Yarma Siperini iş parçasının yolundan uzağa yerleştirin. İletki Masterını (41) istenen açığa ayarlayın ve yerine kilitleyin
- Testere Bıçağını, en yüksek nokta iş parçasının tepesinden yaklaşık 3,2 mm yukarıda olacak şekilde yerleştirin
- Bıçağa yakın olan el ile iş parçasını İletki Masterına sıkı şekilde yaslayarak tutun ve diğer eli iş parçasının Testere Bıçağından uzak olan kısmına destek şeklinde yerleştirin
- Yüklenici Testeresini ‘açık’ duruma getirin ve Testere Bıçağının çalışma hızına ulaşmasını bekleyin
- Her iki eli ‘Adım 3’ içinde anlatılan şekilde iş parçasını desteklemek için kullanarak iş parçasını yavaşça Testere Bıçağına sürün

Not: İş parçasının kesilen kısmını almadan önce testereyi ‘kapalı’ duruma getirin ve bıçağın dönmесinin durmasını bekleyin.

Gönye ile kesme

- İş parçası ‘Spesifikasyonlarda’ belirtilen en büyük iş parçası ölçülerine uygun olmadığı zaman kesme işlemi sırasında iş parçasını yerleştirmek için destek yapılarını ayarlayın

- İletki Masterını (41) istenen açığa ayarlayın. İletki Masterının ayarlama ve kalibre etme talimatları için ‘İletki masterının ayarlanması’ bölümüne bakınız.
- Kesme yöntemi için ‘Çapraz kesme’ bölümüne bakınız

Yarma

UYARI: Yarma işleri yaparken Yarma Siperini (51) kullanmaya dikkat edin (serbest ile kesme işlemleri tehlikelidir). Kesme işlerinden önce siperin yerine iyice kilitlendiğini DAİMA kontrol edin.

UYARI: Yarma işleri yaparken ve olanaklı olduğu zaman ellerinizi Testere Bıçağından (2) uzak tutun ve siper ile bıçak arasında 152 mm’den az uzaklık olduğu zaman iş parçasını sürmek için İtme Çubuğunu (38) kullanın.

UYARI: Kesme işlemi sırasında iş parçasının ASLA geri çekmeye çalışmayın; kısmen kesilen parçayı çıkarmak için makineyi kapatın ve Testere Bıçağının dönmесinin durmasını bekleyin.

- İş parçası ‘Spesifikasyonlarda’ belirtilen en büyük iş parçası ölçülerine uygun olmadığı zaman kesme işlemi sırasında iş parçasını yerleştirmek için destek yapılarını ayarlayın

1. Yarma Siperini ayarlayın ve Yarma Siperi Kelepeçlerini kapatarak kilitleyin
2. İletki Mastarını (41) çıkarın
3. Testere Bıçağını, en yüksek nokta iş parçasının tepesinden yaklaşık 3,2 mm yukarıda olacak şekilde yerleştirin
4. İş parçasını tablanın üzerinde yatık şekilde ve Yarma Siperine yaslayarak tutun. İş parçasını Testere Bıçağından en az 25 mm uzakta tutun
5. Yüklenici Testeresini 'açık' duruma getirin ve Testere Bıçağının çalışma hızına ulaşmasını bekleyin
6. İş parçasını siperle yaslayarak ve tablanın üzerinde yatık şekilde tutarak yavaşça Testere Bıçağına sürün. Parçanın tamamı testere bıçağını geçinceye kadar sabit bir itme kuvveti uygulayın. Arka kenara 150 mm'den az mesafe kaldığı zaman iş parçasını bıçağa sürmeye devam etmek için İtme Çubuğunu (38) kullanın

Pahlı yarma

UYARI: Pahlı yarma yaparken Yarma Siperinin (51) daima Testere Bıçağının (2) sağ tarafında olmasına dikkat edin. Testere Bıçağı asla Yarma Siperine göre açı yapmamalıdır.

Not: Bu işlem, Testere Bıçağının '0°' dışında bir değere ayarlanması dışında 'Yarma' ile aynı yöntemi izler.

- İş parçası 'Spesifikasyonlarda' belirtilen en büyük iş parçası ölçülerine uygun olmadığı zaman kesme işlemi sırasında iş parçasını yerleştirmek için destek yapılarını ayarlayın

1. Kilitleme Kolunu (19) açın ve Pah Açısı Ayarını (14) kullanarak Testere Bıçağının (2) açısını ayarlayın
2. İstenen açı ayarlandığı zaman Kilitleme Kolunu kullanarak Testere Bıçağını yerine kilitleyin
3. 'Yarma' için belirtilen kesme yöntemi izleyin

Pahlı çapraz kesme

Not: Bu işlem, açının '0°' dışında bir değere ayarlanması dışında 'Çapraz kesme' ile aynı yöntemi izler.

- İş parçası 'Spesifikasyonlarda' belirtilen en büyük iş parçası ölçülerine uygun olmadığı zaman kesme işlemi sırasında iş parçasını yerleştirmek için destek yapılarını ayarlayın

1. Kilitleme Kolunu (19) açın ve Pah Açısı Ayarını (14) kullanarak Testere Bıçağının (1) açısını ayarlayın
2. İstenen açı ayarlandığı zaman Kilitleme Kolunu kullanarak ayarı yerine kilitleyin
3. 'Çapraz kesme' için belirtilen kesme yöntemi izleyin

Aksesuarlar

- Triton satıcınızda Sağlam Taşıma Kiti (TWX7RTK), Yan Destek (TWX7SS) ve Dışarı Besleme Desteği (TWX7OS) dâhil olmak üzere bir dizi aksesuar bulunmaktadır. Yedek parçalar Triton satıcınızdan veya çevirim içi olarak www.toolsparsonline.com adresinden temin edilebilir

Bakım

! UYARI: Temizlik yapmadan, aksesuarları değiştirmeden, ayar yapmadan veya bakım gerçekleştirilmeden önce İş Merkezini DAİMA güç kaynağından ayırın.

! UYARI: Temizlik veya bakım yaparken DAİMA göz koruması ve kesilmeye dayanıklı uygun eldiven dahil olmak üzere koruyucu ekipman kullanın.

UYARI: Testere Bıçağını (2) tutarken DAİMA kesilmeye dayanıklı uygun eldiven giyin. Bunun yapılmaması operatör için kesilmeye ve yaralanmaya yol açabilir.

Testere bıçağının değiştirilmesi

UYARI: Testere bıçağının nominal hızı elektrikli el aletinin üzerinde belirtilen maksimum hıza en azından eşit olmalıdır. Nominal hızlarından daha hızlı çalışan aksesuarlar parçalanıp dağılarak fırlayabilir.

1. Bıçak Muhafazasını (3) Yarma Bıçağına (6) bağlayan vidayı çıkararak muhafazayı Yarma Bıçağından ayırın
2. Oyuk Plakanın (25) besleme tarafında bulunan altıgen vidayı gevşetin ve Oyuk Plaka Erişim Deliğini (22) kullanarak plakayı serbest bırakın, Şekil F
3. Kilitleme Kolu (19) açılmış olarak, Bıçak Yüksekliği Ayarını (13) saat yönünde çevirerek Dingili (32) en yüksek durumuna yükseltin
4. Kilitleme Kolunu kullanarak Bıçak Yüksekliği Ayarını yerine sabitleyin
5. Dingil Tutucuyu (30) Çoklu Takım 1 (39) ile tutarak ve aynı anda Bıçak Bağlama Somunu (31) Çoklu Takım 2 (40) ile sökerek eski Testere Bıçağını (2) sökün
6. Bıçak Flanşının (33) iki yarım parçasını yeni Testere Bıçağına takın ve sonra bıçak grubunu Dingile takın, Şekil L

Not: Testere Bıçağını doğru yönde takmaya dikkat edin. Testere Bıçağı üzerindeki bıçak yön oku ile Bıçak muhafazasındaki okun yönü birbirine uygun olmalıdır.

7. Dingil Tutucuyu Çoklu Takım 1 ile tutarak ve Bıçak Bağlama Somunu Çoklu Takım 2 ile sıkarak yeni Testere Bıçağını (2) yerine sabitleyin
8. Oyuk Plakayı ve Bıçak Muhafazasını tekrar takın

Oyuk plakanın değiştirilmesi

UYARI: Yüklenici Testeresi sürekli kullandığı zaman oyuk plakanın durumu kötüleşebilir. Oyuk plaka daima iyi durumda olmalıdır. Gerektiği takdirde değiştirin.

1. Bıçak Muhafazasını (3) Yarma Bıçağına (6) bağlayan vidayı çıkararak muhafazayı Yarma Bıçağından ayırın
2. Oyuk Plakanın (25) besleme tarafında bulunan altıgen vidayı gevşetin ve Oyuk Plaka Erişim Deliğini (22) kullanarak plakayı serbest bırakın, Şekil F
3. Yeni Oyuk Plakayı ve/veya Sarf Plakasını takın
4. Oyuk Plakayı teraziye alın, ayrıntılı talimatlar için 'Oyuk plakanın teraziye alınması' bölümüne bakın
5. Bıçak Muhafazasını tekrar takın

Temizleme

- Makineyi daima temiz tutun. Kir ve toz iç parçaların hızla aşınmasına yol açar ve makinenin hizmet ömrünü kısaltır. Makinenizin gövdesini yumuşak bir fırça veya kuru bez ile temizleyin. Var ise temiz ve kuru basınçlı hava kullanarak havalandırma deliklerini üfleyin
- Plastik kısımları temizlemek için asla kostik maddeler kullanmayın. Kuru olarak temizlemek yeterli olmadığı takdirde ıslak bir bezin üzerinde yumuşak bir deterjan kullanılması tavsiye edilir
- El aletine asla su temas etmemelidir
- El aletini kullanmadan önce tamamen kuru olmasına dikkat edin

Çöp tıkanıklıklarının temizlenmesi

1. El aletini 'kapalı' duruma getirin ve güç kaynağından ayırın. Bıçak Muhafazasını (3) Yarma Bıçağına (6) bağlayan vidayı çıkararak muhafazayı Yarma Bıçağından ayırın
2. Oyuk Plakanın (25) besleme tarafında bulunan altıgen vidayı gevşetin ve Oyuk Plaka Erişim Deliğini (22) kullanarak plakayı serbest bırakın, Şekil F
3. Toz Kanalı Panelinin (12) ve Toz Emme Deliğine (9) bağlı tüm vakum bağlantılarını ayırın
4. Çöp tıkanıklığını bulun ve temizleyin
5. Tıkanıklık temizlendikten sonra Testere Muhafazasını, Oyuk Plakayı, Toz kanalını ve tüm vakum bağlantılarını tekrar takın

Yağlama

- PTFE sprey kullanarak hareketli parçaların hepsini düzenli aralıklar ile ve özellikle çok kullandıktan veya temizlik yaptıktan sonra yağlayın

UYARI: Yağ veya silikon esaslı bakım spreyleri ile YAĞLAMAYIN. Yağ kalıntıları testere tozu ile birleşerek kir birikmesine yol açar ve hareketli parçalara ve mekanizmalara engel olur. YALNIZCA PTFE sprey kullanarak kuru yağlama yapın.

Saklama

- Bu aleti ve aksesuarlarını kullandıktan sonra kendi muhafazası içinde çocukların erişemeyeceği şekilde, güvenli, kuru bir yerde saklayın

Atılması

Artık çalışmayan ve tamir edilmesi bir işe yaramayacak olan el aletlerini atarken daima ulusal yönetmelikleri izleyin.

- Elektrikli el aletlerini, pilleri ve diğer elektrikli ve elektronik atık donanımı (WEEE) evsel atıklar ile birlikte atmayın
- Elektrikli el aletlerini atmanın doğru yolu hakkında bilgi almak için bölgenizdeki yerel atık bertaraf makamına danışın

Sorun giderme

Problem	Muhtemel nedeni	Çözümü
Açma/Kapatma düğmesi kullanıldığı zaman hiç çalışmıyor	Elektrik yoktur	Güç kaynağını kontrol edin
	Açma/Kapatma düğmesi arızalıdır	Yetkili bir Triton servis merkezinde Açma/Kapatma düğmesini değiştirin
Kesme kalitesi kötü	Bıçak kusurludur	Bıçağın değiştirilmesi gerekir, testere bıçağını değiştirme talimatları için 'Testere bıçağını değiştirilmesi' bölümüne bakın
Kesme profilleri ölçümler ile tutarsız	Destek sağlayan İletki Mastarı (41) veya Yarma Siperi (51) yeteri kadar sıkılmamıştır	Destek sağlayan siperleri tekrar sıkın ve baskı uygulandığı zaman bir oynama olmadığını kontrol edin
	Testere Bıçağı (2) kalibre edilmemiştir	'Bıçak kalibrasyonu' bölümünde anlatılan yöntemi kullanarak Testere Bıçağını kalibre edin
		Sarf edilebilir aħşap parçasını değiştirin

Garanti

Garantinizi tescil ettirmek için www.tritontools.com adresindeki web sitemizi ziyaret ederek bilgilerinizi giriniz *.

Size ait bilgiler ilerideki yayınlar hakkında bilgi vermek üzere posta listemize dâhil edilecektir (aksi belirtilmediği takdirde). Verilen bilgiler hiç bir üçüncü tarafa iletilmeyecektir.

Satın alma kayıtları

Satın Alma Tarihi: ___/___/___

Model: TWX7CS001 Makbuzunuzu satın alma kanıtı olarak saklayınız

AB Uygunluk Beyanı

Aşağıda imzası bulunan: Bay Darrell Morris

Yetki veren: Triton

Beyan eder ki

Tanımlama kodu: Yüklenici Testeresi Modülü

Açıklama: TWX7CS001

Aşağıdaki direktiflere ve standartlara uygundur:

- Makine Direktifi 2006/42/EC
- EMC Direktifi 2014/30/EC
- RoHS Direktifi 2011/65/EU
- EN61029-1:2009+A11:2010
- EN61029-2:2012
- EN55014-1:2006+A1:2009+A2:2011
- EN55014-2:1997+A1:2001+A2:2008
- EN61000-3-2:2014
- EN61000-3-3:2013

Triton Precision Power Tools, ilk satın alma tarihinden itibaren 3 YIL süre içinde hatalı malzemeler veya işçilik yüzünden herhangi bir parçanın kusurlu çıkması durumunda Triton'un hatalı parçayı ücretsiz olarak tamir edeceğini veya kendi takdirine göre değiştireceğini bu ürünü satın alan kişiye garanti eder.

Bu garanti ticari kullanım için geçerli olmadığı gibi normal aşınmayı ve yıpranmayı veya kaza, kötüye kullanma veya yanlış kullanma yüzünden oluşan hasarı içermez.

* 30 gün içinde çevirim içi olarak tescil yaptırın.

Kurallar ve koşullar geçerlidir.

Bunlar sizin yasal haklarınızı etkilemez

Onaylanmış kuruluş: TÜV Rheinland

Teknik dokümanları muhafaza eden: Triton

Tarih: 31/08/2016

İmza:

Bay Darrell Morris

Sorumlu Müdür

Üreticinin adı ve adresi:

Powerbox International Limited, Şirket No. 06897059. Tescilli adres: Powerbox, Boundary Way, Lufton Trading Estate, Yeovil, Somerset BA22 8HZ, Birleşik Krallık.

