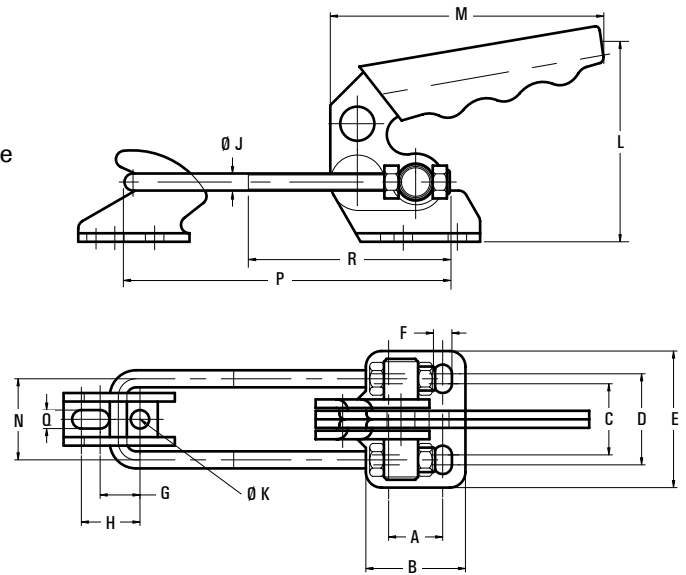


Series 40840

- The unique latch offers dual mounting options: **horizontal and vertical**.
- Two pivot hole patterns are provided to accommodate two mounting positions.
- Supplied latch plate offers low profile clamping for side mounting applications.



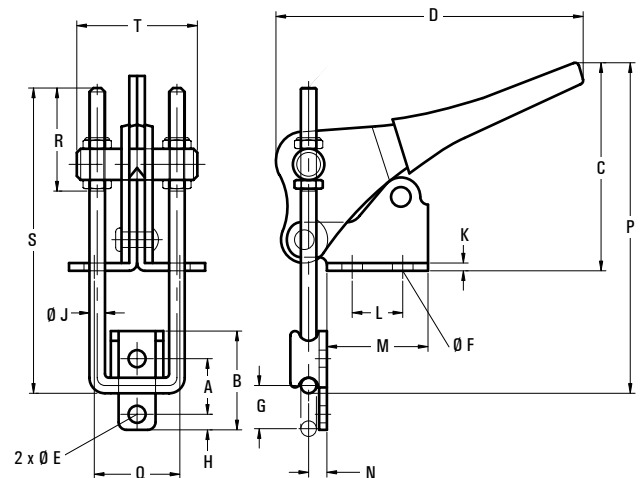
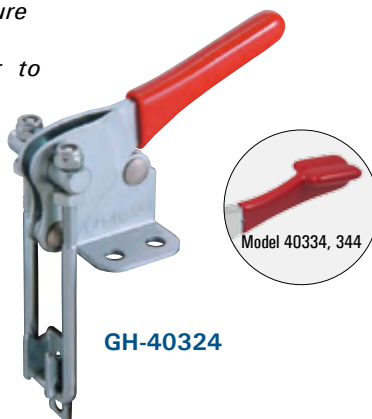
Model	Holding Capacity	A	B	C	D	E	F	G	H	ØJ	ØK	L	M	N	P	Q	R	Weight
GH-40820	440 lbs. (200 kg)	0.51 (13)	1.02 (26)	0.75 (19)	0.95 (24)	1.42 (36)	0.20 (5.2)	0.43 (11)	-	0.16 (4)	0.20 (5.2)	1.81 (46)	2.56 (65)	0.83 (21)	3.54 (90)	0.20 (5.2)	2.17 (55)	0.24 lb. (110 g)
GH-40840	550 lbs. (250 kg)	0.75 (19)	1.38 (35)	0.98 (25)	1.26 (32)	1.89 (48)	0.26 (6.5)	0.55 (14)	0.81 (20.6)	0.24 (6)	0.26 (6.5)	2.87 (73)	3.82 (97)	1.12 (28.5)	4.47 (113.5)	0.26 (6.5)	2.76 (70)	0.67 lb. (306 g)
GH-40870	1,540 lbs. (700 kg)	1.26 (32)	2" (50.5)	1.42 (36)	1.77 (45)	2.50 (63.5)	0.33 (8.5)	0.75 (19)	1.06 (27)	0.31 (8)	0.33 (8.5)	3.46 (88)	4.61 (117)	1.75 (44.5)	5.91 (150)	0.33 (8.5)	3.35 (85)	1.54 lbs. (700 g)

UNIT: inch (metric mm)

Series 40324

Supplied with latch plate

These unique latch clamps are designed for enclosure applications where the clamps are perpendicular to the latches.



Model	Cross Ref. DE-STA-CO	Holding Capacity	A	B	C	D	ØE	ØF	G	H	ØJ	K	L	M	N	P	Q	R	S	T	Weight
GH-40324	324	500 lbs. (225 kg)	0.56 (14.3)	1" (25.4)	2.09 (53.3)	3.11 (79)	0.17 (4.4)	0.21 (5.3)	0.44 (11.1)	0.16 (4)	0.16 (4)	0.08 (2)	0.51 (13)	1.02 (26)	0.19 (4.7)	2.76 (70)	0.87 (22)	1.04 (26.5)	3.09 (78.5)	1.22 (31)	0.25 lb. (113 g)
GH-40334	334	1,000 lbs. (450 kg)	0.81 (20.6)	1.50 (38.1)	2.57 (65.4)	4.79 (122)	0.22 (5.6)	0.28 (7.1)	0.39 (17.5)	0.28 (7.1)	0.24 (6)	0.12 (3)	0.75 (19.1)	1.31 (33.3)	0.34 (8.7)	4.21 (107)	1.10 (28)	1.59 (40.5)	4.37 (111)	1.63 (41.3)	0.56 lb. (250 g)
GH-40344	344	2,000 lbs. (900 kg)	1.06 (27)	2.13 (54)	3.31 (84.1)	5.13 (130)	0.34 (8.7)	0.34 (8.7)	1.13 (28.6)	0.37 (9.5)	0.31 (7.9)	0.16 (4)	1.25 (31.8)	1.87 (47.6)	0.50 (12.7)	5.91 (150)	1.44 (36.5)	2.28 (58)	6.06 (154)	2.37 (60.3)	1.54 lbs. (700 g)

UNIT: inch (metric mm)